



29th Apr 2015

To: Valued customer

From: Littelfuse Product Management

Subject: Radial Leaded PPTC Manufacturing Site Change

Littelfuse would like to notify you of an upcoming manufacturing site transfer affecting Littelfuse® Radial Leaded Polyfuse™ PPTC products. All backend operations (assembling and testing) will be transitioned from Hsinchu, Taiwan to Kunshan, mainland China while upstream operations (blending and pellet) will remain in Hsinchu plant.

As a result of this transfer, markings of some small size Radial Leaded PPTCs will be converted from both sides to single side.

All affected products will be fully qualified in the new factory in accordance with established performance and reliability criteria. Full qualification data and/or samples will be available upon request as each product is prepared for transfer.

Dimension, function changes: None

Marking: from two sizes to single size for small size PPTC

Part number changes: None

Replacement products: N/A

Last time buy: N/A

Effective date: Jun 1st 2015 to Oct 1st 2015

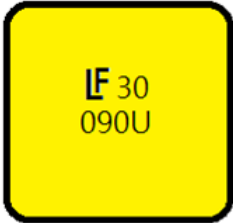


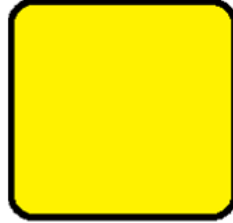
This notification is for your information and acknowledgement. If you require specific data or product samples to certify this change, please contact Littelfuse within 30 days of the notification date.

RLD PPTC Manufacturing Site Transition

Affected P/N's, transition schedule and change in marking:

Part Number	Transition Date	Marking before transition	Marking after transition
60R010~040	6/1/2015	Both sides	Single Side
60R050~185	6/1/2015	Single Side	Single Side, No change
60R250~375	10/1/2015	Single Side	Single Side, No change
72R010~040	6/1/2015	Both sides	Single Side
72R050~185	6/1/2015	Single Side	Single Side, No change
72R250~375	10/1/2015	Single Side	Single Side, No change
30R090	8/1/2015	Both sides	Single Side
30R100~300	8/1/2015	Single Side	Single Side, No change
30R400~900	10/1/2015	Single Side	Single Side, No change
16R250~500	8/1/2015	Single Side	Single Side, No change
16R600~1400	10/1/2015	Single Side	Single Side, No change
16R090	8/1/2015	Both sides	Single Side
16R100~250	8/1/2015	Single Side	Single Side, No change
06R075~155	6/1/2015	Both sides	Single Side
250R080~180	6/1/2015	Single Side	Single Side, No change
600R150~160	6/1/2015	Single Side	Single Side, No change

Change in marking example:

Before Change		After Change	
Front Side	Back Side	Front Side	Back Side
			
<p><Front side> Row 1: LF Logo and Voltage Rating Row 2: I_hold and Product Series Code</p> <p><Back side> Row 1: LF Logo and Voltage rating Row 2: Date Code</p>		<p><Front side> Row 1: LF Logo and Voltage Rating Row 2: I_hold and Product Series Code Row 3: Date Code</p> <p><Back side> Blank</p>	

RLD PPTC Manufacturing Site Transition

Should you have questions or concerns, please contact your local Littelfuse sales office or Littelfuse authorized distributor.

We value your business and look forward to assisting you whenever possible.

Best regards,

Stephen Li
Global Product Manager
Littelfuse Dongguan Ltd.
Sli3@Littelfuse.com