

Video Accessory ICs

VCA for Video Signal Level Adjustment


BA7655AF

No.11069EBT04

●Description

The BA7655AF is a VCA (Voltage Controlled Amplifier) IC that was developed for VCR, DVC, or other video signal level adjustment. It has two built-in amplifier circuits in which the voltage gain can be varied from -6 dB to +6 dB by adjusting the voltage of the control pin. Moreover, when the CTL pin voltage is set to 1 V or less, it is in power save mode, in which the current is reduced and output is muted.

●Features

- 1) Broadband frequency characteristics
- 2) Wide dynamic range
- 3) Low power consumption
- 4) Can mute output
- 5) Voltage gain temperature drift is small

●Applications

For VCR, DVC, and other video signal level adjustment

●Absolute Maximum Ratings(Ta=25°C)

Parameter	Symbol	Ratings	Unit
Supply Voltage	V _{CCMAX.}	8.0	V
Power dissipation	P _d	350 ^{*1}	mW
Operating temperature	T _{opr}	-20 ~ +80	°C
Storage temperature	T _{stg}	-55 ~ +125	°C

*1 Derating is done at 3.5mW/°C above Ta=25°C. (When mounted on a 50mm × 50mm PCB board.)

●Operating Range(Ta=25°C)

Parameter	Symbol	Ratings	Unit
Supply voltage	V _{CC}	4.5 ~ 5.5	V

●Electrical characteristics (Unless otherwise noted, Ta=25°C, Vcc=5.0V)

Parameter	Symbol	Limits			Unit	CTL Voltage(V)	Conditions	
		Min.	Typ.	Max.				
circuit current	One channel	ICC1	—	4.6	7.0	mA	3.0	CTL voltage set to 1 V or less if using only one channel
	Both channels	ICC2	—	7.8	12.0			
Maximum output voltage	VMax.	2.5	2.8	—	V _{P-P}	5.0	f=1kHz, THD=1%	
Frequency characteristics	Gf	-1.0	0.0	1.0	dB	3.0	f=13MHz / 1MHz, V _{IN} =0.5 V _{P-P}	
Minimum voltage gain	GVMin.	-8.0	-6.0	-4.0	dB	2.0	f=1MHz	
Maximum voltage gain	GVMax.	4.0	6.0	8.0	dB	5.0	f=1MHz	
Secondary harmonic distortion	2HD	—	-4.0	—	dB	3.0	f=5.0MHz, V _{IN} =1 V _{P-P}	
Audio distortion	AD	—	1.0	—	%	3.0	f=1kHz, V _{IN} =1 V _{P-P}	
Muting output voltage	VMUTE	—	—	100	mV	1.0	CTL voltage set to 1 V or less	
Video S/N *	VS/N	—	-60	—	dB	3.0		
Audio S/N *	AS/N	—	-60	—	dB	3.0		

*Items having this mark are reference values.

©This product is not designed for protection against radioactive rays.

●Block diagram

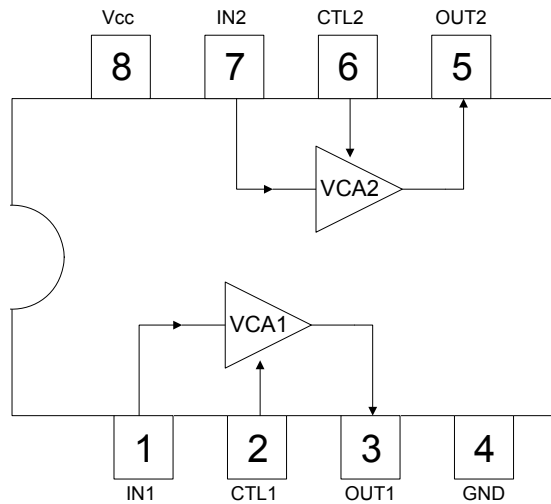
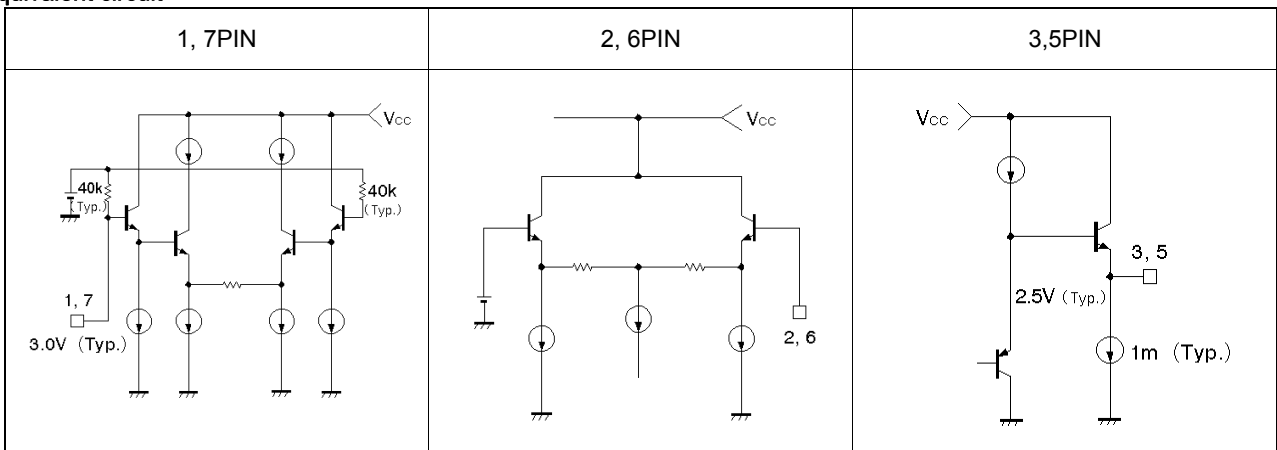


Fig.1

●Equivalent circuit



● Descriptions of operations

A VCA is an amplifier in which voltage gain can be varied by a control voltage, and in the BA7655AF, the voltage gain can be varied from -6 dB to +6 dB by regulating the CTL pin voltage between 2 V and 5 V (if $V_{cc}=5\text{ V}$) as shown in the figure to the right. Moreover, it contains two circuits and when using only one circuit, setting the CTL pin voltage of the unused circuit to 1 V or less moves it to power save mode, in which the circuit current is reduced approximately 40% and the output is muted.

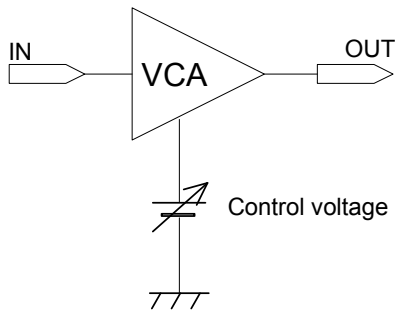


Fig.3

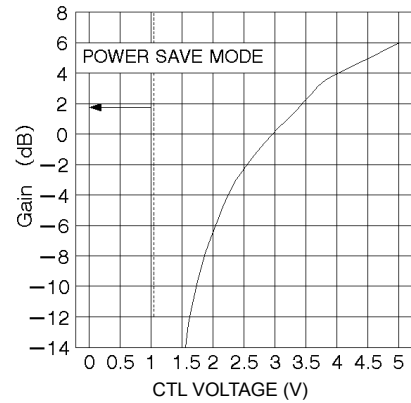


Fig.2 Voltage gain vs. Control voltage

CTL Voltage	Status
2V ~ 5V	Variable gain
1V or less	Power save

● Application circuit

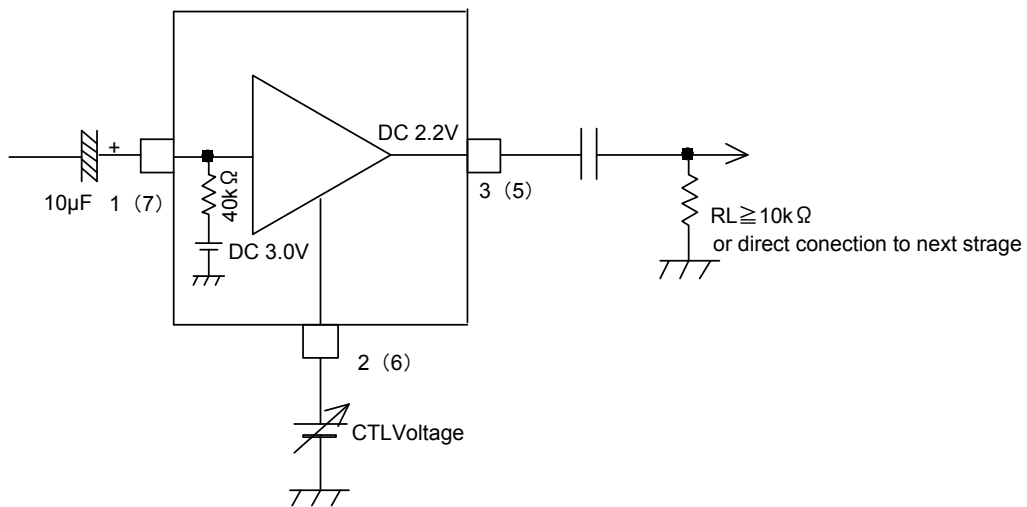
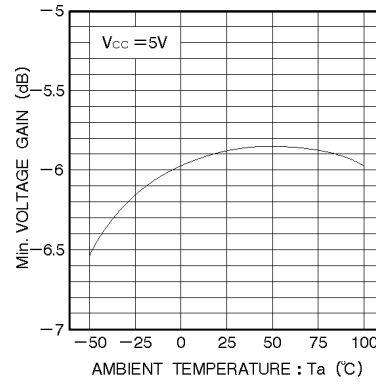
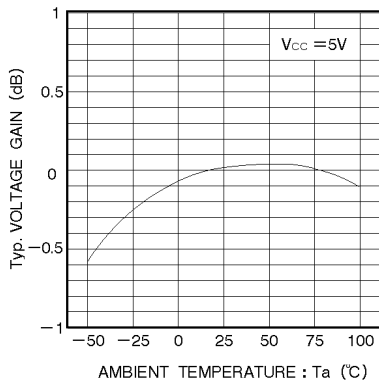
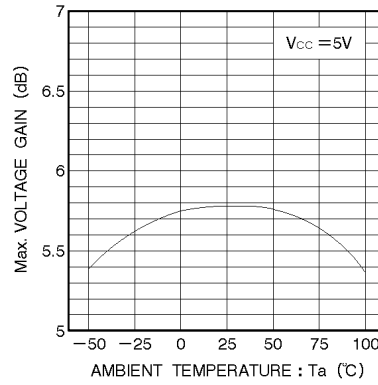
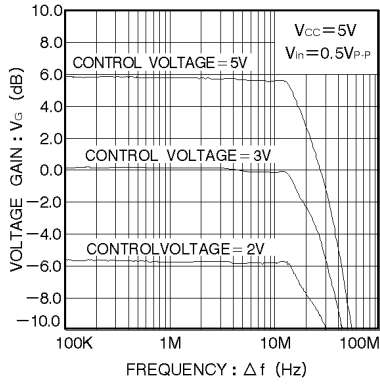


Fig.4

●Reference data



●Notes for use

- 1) Numbers and data in entries are representative design values and are not guaranteed values of the items.
- 2) Although we are confident in recommending the sample application circuits, carefully check their characteristics further when using them. When modifying externally attached component constants before use, determine them so that they have sufficient margins by taking into account variations in externally attached components and the Rohm LSI, not only for static characteristics but also including transient characteristics.
- 3) Absolute maximum ratings
If applied voltage, operating temperature range, or other absolute maximum ratings are exceeded, the LSI may be damaged. Do not apply voltages or temperatures that exceed the absolute maximum ratings. If you think of a case in which absolute maximum ratings are exceeded, enforce fuses or other physical safety measures and investigate how not to apply the conditions under which absolute maximum ratings are exceeded to the LSI.
- 4) GND potential
Make the GND pin voltage such that it is the lowest voltage even when operating below it. Actually confirm that the voltage of each pin does not become a lower voltage than the GND pin, including transient phenomena.
- 5) Thermal design
Perform thermal design in which there are adequate margins by taking into account the allowable power dissipation in actual states of use.
- 6) Shorts between pins and misinstallation
When mounting the LSI on a board, pay adequate attention to orientation and placement discrepancies of the LSI. If it is misinstalled and the power is turned on, the LSI may be damaged. It also may be damaged if it is shorted by a foreign substance coming between pins of the LSI or between a pin and a power supply or a pin and a GND.
- 7) Operation in strong magnetic fields
Adequately evaluates use in a strong magnetic field, since there is a possibility of malfunction.
- 8) Be sure to use input by capacitor coupling.
It cannot be used by direct connection. Find the capacitance of the coupling capacitor from the lowest frequency needed by the signal used according to the following expression. Use of 10 μ F is recommended when inputting a video signal.
 $C \geq 1/(2\pi fR)$ Where f is the lowest frequency used and R is the 40 k Ω input resistance built-in in the IC
- 9) The maximum input signal is 1.4 Vpp for a sine wave (such as a chroma signal) and 1.0 Vpp for a video signal (such as a Y or a composite signal).
- 10) The output drivability is on the order of 10 K Ω .
Moreover, the output DC potential is approximately 2.2 V. On the output side, direct connection to the next stage also is possible if only the conditions are met.

●Ordering part number

B	A
---	---

Part No.

7	6	5	5	A
---	---	---	---	---

Part No.

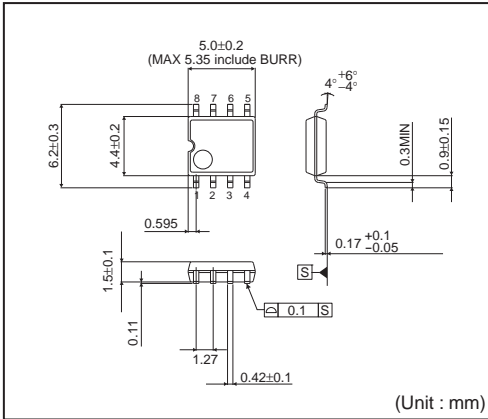
F

Package
F: SOP8

E	2
---	---

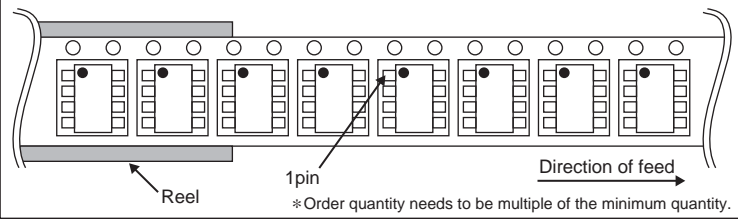
Packaging and forming specification
E2: Embossed tape and reel

SOP8



<Tape and Reel information>

Tape	Embossed carrier tape
Quantity	2500pcs
Direction of feed	E2 (The direction is the 1pin of product is at the upper left when you hold reel on the left hand and you pull out the tape on the right hand)



Notes

No copying or reproduction of this document, in part or in whole, is permitted without the consent of ROHM Co.,Ltd.

The content specified herein is subject to change for improvement without notice.

The content specified herein is for the purpose of introducing ROHM's products (hereinafter "Products"). If you wish to use any such Product, please be sure to refer to the specifications, which can be obtained from ROHM upon request.

Examples of application circuits, circuit constants and any other information contained herein illustrate the standard usage and operations of the Products. The peripheral conditions must be taken into account when designing circuits for mass production.

Great care was taken in ensuring the accuracy of the information specified in this document. However, should you incur any damage arising from any inaccuracy or misprint of such information, ROHM shall bear no responsibility for such damage.

The technical information specified herein is intended only to show the typical functions of and examples of application circuits for the Products. ROHM does not grant you, explicitly or implicitly, any license to use or exercise intellectual property or other rights held by ROHM and other parties. ROHM shall bear no responsibility whatsoever for any dispute arising from the use of such technical information.

The Products specified in this document are intended to be used with general-use electronic equipment or devices (such as audio visual equipment, office-automation equipment, communication devices, electronic appliances and amusement devices).

The Products specified in this document are not designed to be radiation tolerant.

While ROHM always makes efforts to enhance the quality and reliability of its Products, a Product may fail or malfunction for a variety of reasons.

Please be sure to implement in your equipment using the Products safety measures to guard against the possibility of physical injury, fire or any other damage caused in the event of the failure of any Product, such as derating, redundancy, fire control and fail-safe designs. ROHM shall bear no responsibility whatsoever for your use of any Product outside of the prescribed scope or not in accordance with the instruction manual.

The Products are not designed or manufactured to be used with any equipment, device or system which requires an extremely high level of reliability the failure or malfunction of which may result in a direct threat to human life or create a risk of human injury (such as a medical instrument, transportation equipment, aerospace machinery, nuclear-reactor controller, fuel-controller or other safety device). ROHM shall bear no responsibility in any way for use of any of the Products for the above special purposes. If a Product is intended to be used for any such special purpose, please contact a ROHM sales representative before purchasing.

If you intend to export or ship overseas any Product or technology specified herein that may be controlled under the Foreign Exchange and the Foreign Trade Law, you will be required to obtain a license or permit under the Law.



Thank you for your accessing to ROHM product informations.
More detail product informations and catalogs are available, please contact us.

ROHM Customer Support System

<http://www.rohm.com/contact/>