

## High Performance 1:10 Multi-Voltage CMOS Buffer

### Features

- 10 single-ended outputs Fanout Buffer
- Up to 200MHz output frequency
- Ultra low output additive jitter = 0.05ps (typ.)
- Selectable reference inputs support Xtal (10~50MHz), single-ended and differential
- Low output skew ~ 50ps (typ.)
- Propagation delay ~2ns (typ@3.3V)
- 2.5V / 3.3V operation
- User configurable output VDD in different banks:
  - Mixed 3.3V core/2.5V output operating supply
  - Mixed 3.3V core/1.8V output operating supply
  - Mixed 3.3V core/1.5V output operating supply
  - Mixed 2.5V core/1.8V output operating supply
  - Mixed 2.5V core/1.5V output operating supply
- Industrial temperature range: -40°C to +85°C
- Packaging (Pb-free & Green available):
  - 32-pin TQFN (ZH)

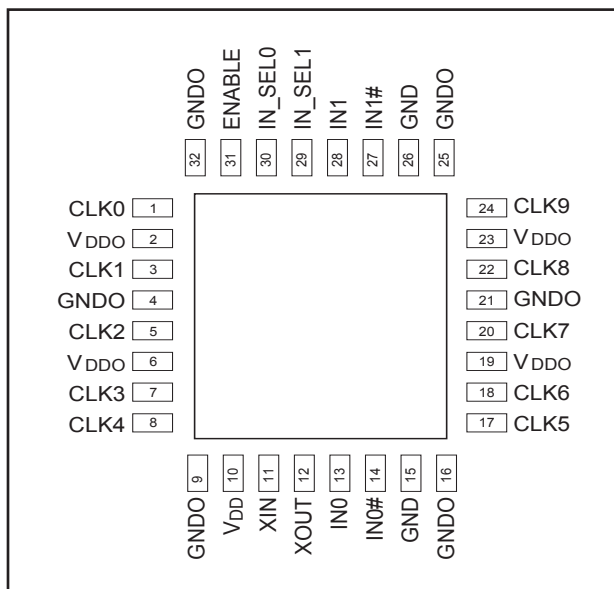
### Applications

- Networking systems including switches and Routers
- High frequency backplane based computing and telecom platforms

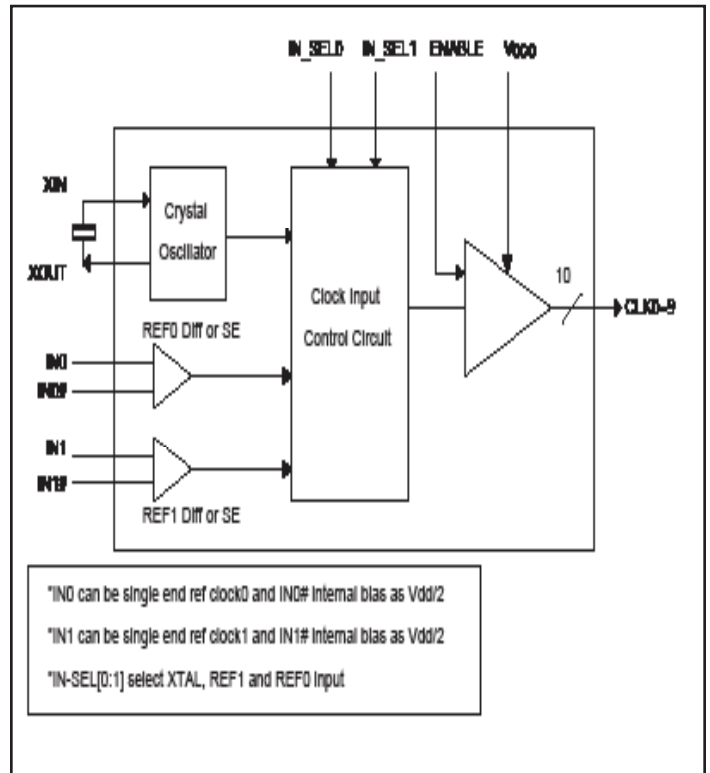
### Description

The PI6C49X0210 is a high performance multi-voltage 10-outputs CMOS Fanout Buffer with internal Crystal Oscillator. The XTAL range is from 10MHz to 50MHz. The device has a wide range of operating voltages of 2.5V and 3.3V. The device also provides user selectable output VDD option, which provides excellent flexibilities to users. This device is ideal for systems that need to distribute low jitter clock signals to multiple destinations.

### Pin Configuration



### Block Diagram



**Pin Description**

Pin#	Pin Name	Type		Description
1, 3, 5, 7, 8, 17, 18, 20, 22, 24	CLK0~9	Output		Clock Outputs
2, 6, 19, 23	VDDO	Power		Output Power Supplier
15, 26	GND	Power		Output Ground
4, 9, 16, 21, 25, 32	GNDO	Power		Core Ground
10	VDD	Power		Core Power Supplier
11	XIN	Input		Crystal interface
12	XOUT	Output		Crystal interface
13	IN0	Input	Pull-down	REF0 Diff or Single End
14	IN0#	Input	Pull-up/ Pull-down	REF0 Diff, When IN0 is single end ref clock0 and IN0# internal bias as Vdd/2
27	IN1#	Input	Pull-up/ Pull-down	REF1 Diff, When IN1 is single end ref clock1 and IN1# internal bias as Vdd/2
28	IN1	Input	Pull-down	REF1 Diff or Single End
30, 29	IN_SEL[0:1]	Input	Pull-down	IN-SEL[0:1] select XTAL, REF1 and REF0 input
31	ENABLE	Input		Active High Output Enable

**Input Mode Selection Logic**

IN_SEL0	IN_SEL1	Selected Input
1	1	XTAL
0	1	XTAL
1	0	REF1 Diff or Single End
0	0	REF0 Diff or Single End

**Input/Output Operation State**

Input State	Output State
IN[0:1], IN[0:1]# open	Logic Low
IN[0:1], IN[0:1]# both to ground	Logic Low
IN[0:1]=High, IN[0:1]# =Low	Logic High
IN[0:1]=Low, IN[0:1]# =High	Logic Low

**Output Mode Selection**

ENABLE	Output CLK0~9
GND	High-impedance
VDD	Enabled

**Power Supply DC Characteristics** ( $V_{DD}/V_{DDO} = 3.3V \pm 5\%$ ,  $T_A = -40^\circ C$  to  $85^\circ C$ )

Symbols	Parameters	Test Conditions	Min.	Typ	Max.	Units
$V_{DD}$	Core Supply Voltage		3.135	3.3	3.465	V
$V_{DDO}$	Output Supply Voltage		3.135	3.3	3.465	V
$I_{DD}$	Power Supply Current	ENABLE = '0'			32	mA
$I_{DDO}$	Output Supply Current	ENABLE = '0'			1	mA

**Power Supply DC Characteristics** ( $V_{DD}/V_{DDO} = 2.5V \pm 5\%$ ,  $T_A = -40^\circ C$  to  $85^\circ C$ )

Symbols	Parameters	Test Conditions	Min.	Typ	Max.	Units
$V_{DD}$	Core Supply Voltage		2.375	2.5	2.625	V
$V_{DDO}$	Output Supply Voltage		2.375	2.5	2.625	V
$I_{DD}$	Power Supply Current	ENABLE = '0'			15	mA
$I_{DDO}$	Output Supply Current	ENABLE = '0'			0.7	mA

**Power Supply DC Characteristics** ( $V_{DD} = 3.3V \pm 5\%$ ,  $V_{DDO} = 2.5V \pm 5\%$ ,  $T_A = -40^\circ C$  to  $85^\circ C$ )

Symbols	Parameters	Test Conditions	Min.	Typ	Max.	Units
$V_{DD}$	Core Supply Voltage		3.135	3.3	3.465	V
$V_{DDO}$	Output Supply Voltage		2.375	2.5	2.625	V
$I_{DD}$	Power Supply Current	ENABLE = '0'			29	mA
$I_{DDO}$	Output Supply Current	ENABLE = '0'			0.6	mA

**Power Supply DC Characteristics** ( $V_{DD} = 3.3V \pm 5\%$ ,  $V_{DDO} = 1.8V \pm 0.2V$ ,  $T_A = -40^\circ C$  to  $85^\circ C$ )

Symbols	Parameters	Test Conditions	Min.	Typ	Max.	Units
$V_{DD}$	Core Supply Voltage		3.135	3.3	3.465	V
$V_{DDO}$	Output Supply Voltage		1.6	1.8	2.0	V
$I_{DD}$	Power Supply Current	ENABLE = '0'			29	mA
$I_{DDO}$	Output Supply Current	ENABLE = '0'			0.4	mA

**Power Supply DC Characteristics** ( $V_{DD} = 3.3V \pm 5\%$ ,  $V_{DDO} = 1.5V \pm 0.15V$ ,  $T_A = -40^\circ C$  to  $85^\circ C$ )

Symbols	Parameters	Test Conditions	Min.	Typ	Max.	Units
$V_{DD}$	Core Supply Voltage		3.135	3.3	3.465	V
$V_{DDO}$	Output Supply Voltage		1.35	1.5	1.65	V
$I_{DD}$	Power Supply Current	ENABLE = '0'			29	mA
$I_{DDO}$	Output Supply Current	ENABLE = '0'			0.3	mA

**Power Supply DC Characteristics** ( $V_{DD} = 2.5V \pm 5\%$ ,  $V_{DDO} = 1.8V \pm 0.2V$ ,  $T_A = -40^\circ C$  to  $85^\circ C$ )

Symbols	Parameters	Test Conditions	Min.	Typ	Max.	Units
$V_{DD}$	Core Supply Voltage		2.375	2.5	2.625	V
$V_{DDO}$	Output Supply Voltage		1.6	1.8	2.0	V
$I_{DD}$	Power Supply Current	ENABLE = '0'			13	mA
$I_{DDO}$	Output Supply Current	ENABLE = '0'			0.4	mA

**Power Supply DC Characteristics** ( $V_{DD} = 2.5V \pm 5\%$ ,  $V_{DDO} = 1.5V \pm 0.15V$ ,  $T_A = -40^\circ C$  to  $85^\circ C$ )

Symbols	Parameters	Test Conditions	Min.	Typ	Max.	Units
$V_{DD}$	Core Supply Voltage		2.375	2.5	2.625	V
$V_{DDO}$	Output Supply Voltage		1.35	1.5	1.65	V
$I_{DD}$	Power Supply Current	ENABLE = '0'			13	mA
$I_{DDO}$	Output Supply Current	ENABLE = '0'			0.3	mA

**Single-Ended DC Characteristics ( $T_A = -40^{\circ}\text{C}$  to  $85^{\circ}\text{C}$ )**

Symbols	Parameters	Test Conditions	Min.	Typ	Max.	Units	
$V_{IH}$	Input High Voltage	$V_{DD} = 3.3\text{V} \pm 5\%$	2		$V_{DD} + 0.3$	V	
		$V_{DD} = 2.5\text{V} \pm 5\%$	1.7		$V_{DD} + 0.3$	V	
$V_{IL}$	Input Low Voltage	$V_{DD} = 3.3\text{V} \pm 5\%$	-0.3		0.8	V	
		$V_{DD} = 2.5\text{V} \pm 5\%$	-0.3		0.7	V	
$V_{OH}$	Output High Voltage ( $I_{OH} = -8\text{mA}$ )	$V_{DDO} = 3.3\text{V} \pm 5\%$ <sup>(1)</sup>	2.6			V	
		$V_{DDO} = 2.5\text{V} \pm 5\%$	2			V	
		$V_{DDO} = 2.5\text{V} \pm 5\%$ <sup>(1)</sup>	1.8			V	
		$V_{DDO} = 1.8\text{V} \pm 0.2\text{V}$ <sup>(1)</sup>	1.5			V	
	Output High Voltage ( $I_{OH} = -12\text{mA}$ )	$V_{DDO} = 1.5\text{V} \pm 0.15\text{V}$ <sup>(1)</sup>	1.0			V	
		$V_{DDO} = 3.3\text{V} \pm 5\%$ <sup>(1)</sup>	3.0			V	
		$V_{DDO} = 2.5\text{V} \pm 5\%$	2.0			V	
		$V_{DDO} = 1.8\text{V} \pm 0.2\text{V}$ <sup>(1)</sup>	1.5			V	
$V_{OL}$	Output Low Voltage ( $I_{OH} = 8\text{mA}$ )	$V_{DDO} = 1.5\text{V} \pm 0.15\text{V}$ <sup>(1)</sup>	1.0			V	
		$V_{DD} = 3.3\text{V} \pm 5\%$ <sup>(1)</sup>			0.5	V	
		$V_{DDO} = 2.5\text{V} \pm 5\%$			0.5	V	
		$V_{DDO} = 1.8\text{V} \pm 0.2\text{V}$ <sup>(1)</sup>			0.4	V	
	Output Low Voltage ( $I_{OL} = 12\text{mA}$ )	$V_{DDO} = 1.5\text{V} \pm 0.15\text{V}$ <sup>(1)</sup>				0.35	V
		$V_{DDO} = 3.3\text{V} \pm 5\%$ <sup>(1)</sup>				0.25	V
		$V_{DDO} = 2.5\text{V} \pm 5\%$				0.25	V
		$V_{DDO} = 1.8\text{V} \pm 0.2\text{V}$ <sup>(1)</sup>				0.3	V
$R_{OUT}$	Output Impedence	$V_{DDO} = 3.3\text{V} \pm 5\%$	7		10	$\Omega$	
		$V_{DDO} = 1.8\text{V} \pm 5\%$	12	17	20	$\Omega$	

**Notes:**

1. Outputs terminated with  $50\Omega$  to  $V_{DDO} / 2$ . See Parameter Measurement section, "Load Test Circuit" diagrams.

**Differential input DC Characteristics** ( $T_A = -40^{\circ}\text{C}$  to  $85^{\circ}\text{C}$ )

Symbols	Parameters	Test Conditions	Min.	Typ	Max.	Units
$I_{IH}$	Input High Current	IN[0:1], IN[0:1]#	$V_{DD} = V_{IN} = 3.465\text{V}$ or $2.625\text{V}$		100	$\mu\text{A}$
$I_{IL}$	Input Low Current	IN[0:1]	$V_{DD} = 3.465\text{V}$ or $2.625\text{V}$ $V_{IN} = 0\text{V}$	-1		$\mu\text{A}$
		IN[0:1]#	$V_{DD} = 3.465\text{V}$ or $2.625\text{V}$ $V_{IN} = 0\text{V}$	-50		$\mu\text{A}$
$V_{PP}$	Peak-to-Peak Input Voltage <sup>(1)</sup>	$V_{DD} = 3.3\text{V}$	0.25		1.3	V
		$V_{DD} = 2.5\text{V}$	0.25		1.3	
$V_{CMR}$	Common Mode Input Voltage (1,2)	$V_{DD} = 3.3\text{V}$	0.5		$V_{DD} - 1.35\text{V}$	V
		$V_{DD} = 2.5\text{V}$	0.5		$V_{DD} - 0.85\text{V}$	

**Notes:**

- $V_{IL}$  should not be less than  $-0.3\text{V}$ .
- Common mode voltage is defined as  $V_{IH}$ .

**3.3V Absolute Maximum Ratings** (Above which the useful life may be impaired. For user guidelines only, not tested.)

Storage Temperature.....	-65°C to +150°C
V <sub>DD</sub> , V <sub>DDO</sub> Voltage.....	-0.5V to +3.6V
Output Voltage (max. 4.6V).....	-0.5V to V <sub>DD</sub> +0.5V
Input Voltage (max 4.6V).....	-0.5V to V <sub>DD</sub> +0.5V

**Note:**

Stresses greater than those listed under MAXIMUM RATINGS may cause permanent damage to the device. This is a stress rating only and functional operation of the device at these or any other conditions above those indicated in the operational sections of this specification is not implied. Exposure to absolute maximum rating conditions for extended periods may affect reliability.

**AC Characteristics** (Over Operating Range: V<sub>DD</sub>/V<sub>DDO</sub> = 3.3V ± 5%, T<sub>A</sub> = -40° to 85°C)

Parameters	Description		Test Conditions <sup>(1)</sup>	Min.	Typ	Max.	Units
f <sub>MAX</sub>	Output Frequency	Using External Crystal		10		50	MHz
		Using External Clock Source <sup>(2)</sup>		DC		200	
odc	Output Duty Cycle		125MHz	45		55	%
t <sub>sk(o)</sub>	Output Skew <sup>(3)</sup>					80	ps
t <sub>jit(Ø)</sub>	RMS Phase Jitter (Random)		25MHz crystal @ (Integration Range: 100Hz-1MHz)		0.05		ps
t <sub>jit(additive)</sub>	Additive RMS Phase Jitter (Random)		125MHz reference input @ (Integration Range: 12kHz-20MHz)		0.05		ps
t <sub>R</sub> /t <sub>F</sub>	Output Rise/Fall Time		20% to 80%	200		800	ps
t <sub>EN</sub>	Output Enable Time <sup>(4)</sup>	ENABLE				5	cycles
t <sub>DIS</sub>	Output Disable Time <sup>(4)</sup>	ENABLE				5	cycles
MUX <sub>isolation</sub>	MUX Isolation		155.52MHz		64		dB

**Notes:**

1. Unless noted otherwise, all parameters are tested with xtal @ f ≤ F<sub>xtal\_max</sub>; outputs are terminated @ 50Ω to V<sub>DDO</sub>/2, see waveforms.
2. Diff external clock source is driving IN0/IN0# and IN1/IN1# input. IN0/IN1 can be single end ref clock when IN0#/IN1# set as V<sub>DD</sub>/2
3. Identical conditions: loading, transitions, supply voltage, temperature, package type and speed grade.
4. These parameters are guaranteed, but not tested. Max delay is 4 cycles. Min. setup time = 3ns.

**2.5V Absolute Maximum Ratings** (Above which the useful life may be impaired. For user guidelines only, not tested.)

**Note:**

Stresses greater than those listed under MAXIMUM RATINGS may cause permanent damage to the device. This is a stress rating only and functional operation of the device at these or any other conditions above those indicated in the operational sections of this specification is not implied. Exposure to absolute maximum rating conditions for extended periods may affect reliability.

Storage Temperature.....	-65°C to +150°C
V <sub>DD</sub> , V <sub>DDO</sub> Voltage.....	-0.5V to +3.6V
Output Voltage (max. 4.6V).....	-0.5V to V <sub>DD</sub> +0.5V
Input Voltage (max 4.6V).....	-0.5V to V <sub>DD</sub> +0.5V

**AC Characteristics** (Over Operating Range: V<sub>DD</sub>/V<sub>DDO</sub> = 2.5V ± 5%, T<sub>A</sub> = -40° to 85°C)

Parameters	Description		Test Conditions <sup>(1)</sup>	Min.	Typ	Max.	Units
f <sub>MAX</sub>	Output Frequency	Using External Crystal		10		50	MHz
		Using External Clock Source <sup>(2)</sup>		DC		200	
odc	Output Duty Cycle		125MHz	45		55	%
t <sub>sk(o)</sub>	Output Skew <sup>(3)</sup>					80	ps
t <sub>jit(Ø)</sub>	RMS Phase Jitter (Random)		25MHz @ (Integration Range: 100Hz-1MHz)		0.06		ps
t <sub>jit(additive)</sub>	Additive RMS Phase Jitter (Random)		125MHz @ (Integration Range: 12kHz-20MHz)		0.05		ps
t <sub>R</sub> /t <sub>F</sub>	Output Rise/Fall Time		20% to 80%	200		800	ps
t <sub>EN</sub>	Output Enable Time <sup>(4)</sup>	ENABLE				5	cycles
t <sub>DIS</sub>	Output Disable Time <sup>(4)</sup>	ENABLE				5	cycles
MUX <sub>isolation</sub>	MUX Isolation		155.52MHz		63		dB

**Notes:**

1. Unless noted otherwise, all parameters are tested with xtal @ f ≤ F<sub>xtal\_max</sub>; outputs are terminated @ 50Ω to V<sub>DDO</sub>/2, see waveforms.
2. Diff external clock source is driving IN0/IN0# and IN1/IN1# input. IN0/IN1 can be single end ref clock when IN0#/IN1# set as V<sub>DD</sub>/2
3. Identical conditions: loading, transitions, supply voltage, temperature, package type and speed grade.
4. These parameters are guaranteed, but not tested. Max delay is 4 cycles. Min. setup time = 3ns.



**AC Characteristics** (Over Operating Range:  $V_{DD} = 3.3V \pm 5\%$ ,  $V_{DDO} = 2.5V \pm 5\%$ ,  $T_A = -40^\circ$  to  $85^\circ C$ )

Parameters	Description		Test Conditions <sup>(1)</sup>	Min.	Typ	Max.	Units
f <sub>MAX</sub>	Output Frequency	Using External Crystal		10		50	MHz
		Using External Clock Source <sup>(2)</sup>		DC		200	
odc	Output Duty Cycle		125MHz	45		55	%
t <sub>sk(o)</sub>	Output Skew <sup>(3)</sup>					80	ps
t <sub>jit(Ø)</sub>	RMS Phase Jitter (Random)		25MHz @ (Integration Range: 100Hz-1MHz)		0.05		ps
t <sub>jit(additive)</sub>	Additive RMS Phase Jitter (Random)		125MHz @ (Integration Range: 12kHz-20MHz)		0.05		ps
t <sub>R</sub> /t <sub>F</sub>	Output Rise/Fall Time		20% to 80%	200		800	ps
t <sub>EN</sub>	Output Enable Time <sup>(4)</sup>	ENABLE				5	cycles
t <sub>DIS</sub>	Output Disable Time <sup>(4)</sup>	ENABLE				5	cycles
MUX <sub>isolation</sub>	MUX Isolation		155.52MHz		62		dB

**Notes:**

1. Unless noted otherwise, all parameters are tested with xtal @  $f \leq F_{xtal\_max}$ ; outputs are terminated @  $50\Omega$  to  $V_{DDO}/2$ , see waveforms.
2. Diff external clock source is driving IN0/IN0# and IN1/IN1# input. IN0/IN1 can be single end ref clock when IN0# /IN1# set as  $V_{DD}/2$
3. Identical conditions: loading, transitions, supply voltage, temperature, package type and speed grade.
4. These parameters are guaranteed, but not tested. Max delay is 4 cycles. Min. setup time = 3ns.

**AC Characteristics** (Over Operating Range:  $V_{DD} = 3.3V \pm 5\%$ ,  $V_{DDO} = 1.8V \pm 0.2V$ ,  $T_A = -40^\circ$  to  $85^\circ C$ )

Parameters	Description		Test Conditions <sup>(1)</sup>	Min.	Typ	Max.	Units
f <sub>MAX</sub>	Output Frequency	Using External Crystal		10		50	MHz
		Using External Clock Source <sup>(2)</sup>		DC		200	
odc	Output Duty Cycle		125MHz	45		55	%
t <sub>sk(o)</sub>	Output Skew <sup>(3)</sup>					80	ps
t <sub>jit(Ø)</sub>	RMS Phase Jitter (Random)		25MHz @ (Integration Range: 100Hz-1MHz)		0.06		ps
t <sub>jit(additive)</sub>	Additive RMS Phase Jitter (Random)		125MHz @ (Integration Range: 12kHz-20MHz)		0.05		ps
t <sub>R</sub> /t <sub>F</sub>	Output Rise/Fall Time		20% to 80%	200		900	ps
t <sub>EN</sub>	Output Enable Time <sup>(4)</sup>	ENABLE				5	cycles
t <sub>DIS</sub>	Output Disable Time <sup>(4)</sup>	ENABLE				5	cycles
MUX <sub>isolation</sub>	MUX Isolation		155.52MHz		58		dB

**Notes:**

1. Unless noted otherwise, all parameters are tested with xtal @  $f \leq F_{xtal\_max}$ ; outputs are terminated @  $50\Omega$  to  $V_{DDO}/2$ , see waveforms.
2. Diff external clock source is driving IN0/IN0# and IN1/IN1# input. IN0/IN1 can be single end ref clock when IN0# /IN1# set as  $V_{DD}/2$
3. Identical conditions: loading, transitions, supply voltage, temperature, package type and speed grade.
4. These parameters are guaranteed, but not tested. Max delay is 4 cycles. Min. setup time = 3ns.

**AC Characteristics** (Over Operating Range:  $V_{DD} = 3.3V \pm 5\%$ ,  $V_{DDO} = 1.5V \pm 0.15V$ ,  $T_A = -40^\circ$  to  $85^\circ C$ )

Parameters	Description		Test Conditions <sup>(1)</sup>	Min.	Typ	Max.	Units
f <sub>MAX</sub>	Output Frequency	Using External Crystal		10		50	MHz
		Using External Clock Source <sup>(2)</sup>		DC		200	
odc	Output Duty Cycle		125MHz	45		55	%
t <sub>sk(o)</sub>	Output Skew <sup>(3)</sup>					80	ps
t <sub>jit(Ø)</sub>	RMS Phase Jitter (Random)		25MHz @ (Integration Range: 100Hz-1MHz)		0.07		ps
t <sub>jit(additive)</sub>	Additive RMS Phase Jitter (Random)		125MHz @ (Integration Range: 12kHz-20MHz)		0.05		ps
t <sub>R</sub> /t <sub>F</sub>	Output Rise/Fall Time		20% to 80%	200		900	ps
t <sub>EN</sub>	Output Enable Time <sup>(4)</sup>	ENABLE				5	cycles
t <sub>DIS</sub>	Output Disable Time <sup>(4)</sup>	ENABLE				5	cycles
MUX <sub>isolation</sub>	MUX Isolation		155.52MHz		53		dB

**Notes:**

1. Unless noted otherwise, all parameters are tested with xtal @  $f \leq F_{xtal\_max}$ ; outputs are terminated @  $50\Omega$  to  $V_{DDO}/2$ , see waveforms.
2. Diff external clock source is driving IN0/IN0# and IN1/IN1# input. IN0/IN1 can be single end ref clock when IN0# /IN1# set as  $V_{DD}/2$
3. Identical conditions: loading, transitions, supply voltage, temperature, package type and speed grade.
4. These parameters are guaranteed, but not tested. Max delay is 4 cycles. Min. setup time = 3ns.

**AC Characteristics** (Over Operating Range:  $V_{DD} = 2.5V \pm 5\%$ ,  $V_{DDO} = 1.8V \pm 0.2V$ ,  $T_A = -40^\circ$  to  $85^\circ C$ )

Parameters	Description		Test Conditions <sup>(1)</sup>	Min.	Typ	Max.	Units
f <sub>MAX</sub>	Output Frequency	Using External Crystal		10		50	MHz
		Using External Clock Source <sup>(2)</sup>		DC		200	
odc	Output Duty Cycle		125MHz	45		55	%
t <sub>sk(o)</sub>	Output Skew <sup>(3)</sup>					80	ps
t <sub>jit(Ø)</sub>	RMS Phase Jitter (Random)		25MHz @ (Integration Range: 100Hz-1MHz)		0.06		ps
t <sub>jit(additive)</sub>	Additive RMS Phase Jitter (Random)		125MHz @ (Integration Range: 12kHz-20MHz)		0.05		ps
t <sub>R</sub> /t <sub>F</sub>	Output Rise/Fall Time		20% to 80%	200		900	ps
t <sub>EN</sub>	Output Enable Time <sup>(4)</sup>	ENABLE				5	cycles
t <sub>DIS</sub>	Output Disable Time <sup>(4)</sup>	ENABLE				5	cycles
MUX <sub>isolation</sub>	MUX Isolation		155.52MHz		59		dB

**Notes:**

1. Unless noted otherwise, all parameters are tested with xtal @  $f \leq F_{xtal\_max}$ ; outputs are terminated @  $50\Omega$  to  $V_{DDO}/2$ , see waveforms.
2. Diff external clock source is driving IN0/IN0# and IN1/IN1# input. IN0/IN1 can be single end ref clock when IN0# /IN1# set as  $V_{DD}/2$
3. Identical conditions: loading, transitions, supply voltage, temperature, package type and speed grade.
4. These parameters are guaranteed, but not tested. Max delay is 4 cycles. Min. setup time = 3ns.

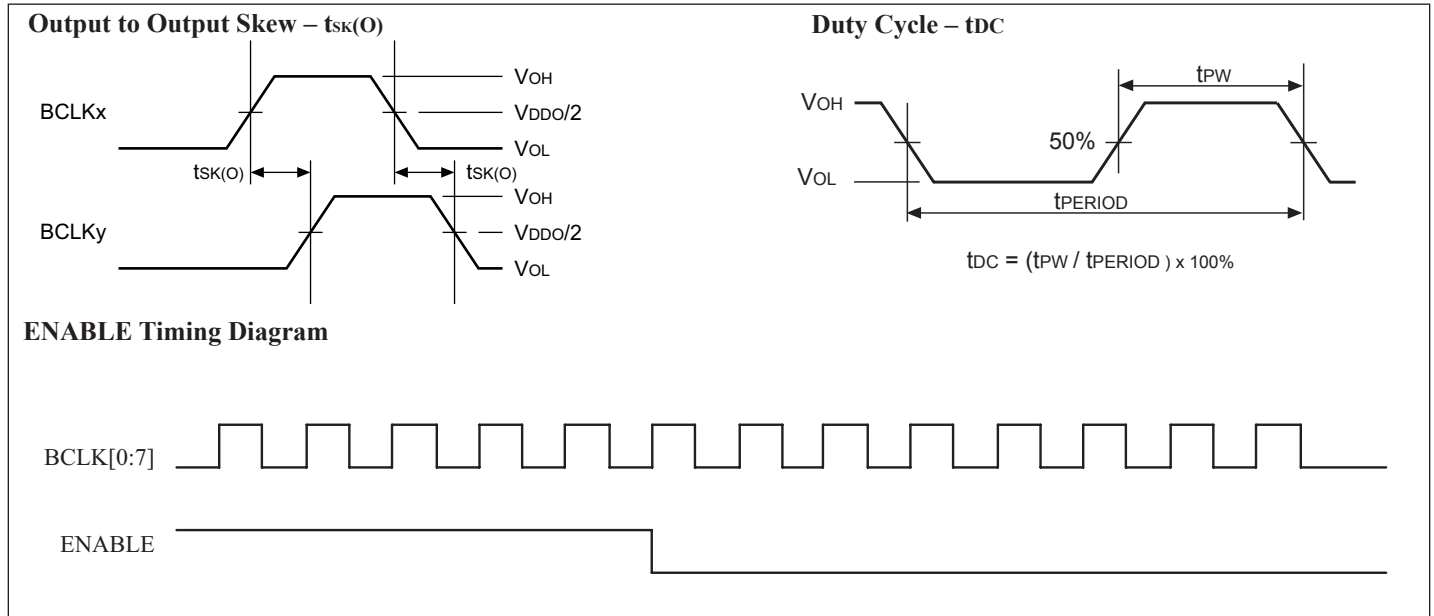
**AC Characteristics** (Over Operating Range:  $V_{DD} = 2.5V \pm 5\%$ ,  $V_{DDO} = 1.5V \pm 0.15V$ ,  $T_A = -40^\circ$  to  $85^\circ C$ )

Parameters	Description		Test Conditions <sup>(1)</sup>	Min.	Typ	Max.	Units
f <sub>MAX</sub>	Output Frequency	Using External Crystal		10		50	MHz
		Using External Clock Source <sup>(2)</sup>		DC		200	
odc	Output Duty Cycle		125MHz	45		55	%
t <sub>sk(o)</sub>	Output Skew <sup>(3)</sup>					80	ps
t <sub>jit(Ø)</sub>	RMS Phase Jitter (Random)		25MHz @ (Integration Range: 100Hz-1MHz)		0.08		ps
t <sub>jit(additive)</sub>	Additive RMS Phase Jitter (Random)		125MHz @ (Integration Range: 12kHz-20MHz)		0.05		ps
t <sub>R</sub> /t <sub>F</sub>	Output Rise/Fall Time		20% to 80%	200		900	ps
t <sub>EN</sub>	Output Enable Time <sup>(4)</sup>	ENABLE				5	cycles
t <sub>DIS</sub>	Output Disable Time <sup>(4)</sup>	ENABLE				5	cycles
MUX <sub>isolation</sub>	MUX Isolation		155.52MHz		55		dB

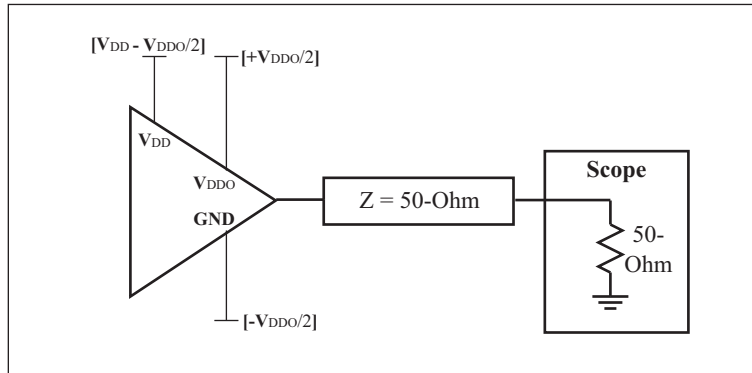
**Notes:**

1. Unless noted otherwise, all parameters are tested with xtal @  $f \leq F_{xtal\_max}$ ; outputs are terminated @  $50\Omega$  to  $V_{DDO}/2$ , see waveforms.
2. Diff external clock source is driving IN0/IN0# and IN1/IN1# input. IN0/IN1 can be single end ref clock when IN0# /IN1# set as  $V_{DD}/2$
3. Identical conditions: loading, transitions, supply voltage, temperature, package type and speed grade.
4. These parameters are guaranteed, but not tested. Max delay is 4 cycles. Min. setup time = 3ns.

**Waveforms**



**AC Test Circuit Load**



**Note:**  
 $V_{DD}/V_{DDO} = 1.8V \pm 0.2V,$   
 $2.5V \pm 5\%,$   
 $3.3V \pm 5\%$

**Crystal Characteristic** (link to "<http://www.pericom.com/products/timing/crystals/index.php>" for more detailed and different size crystal specifications)

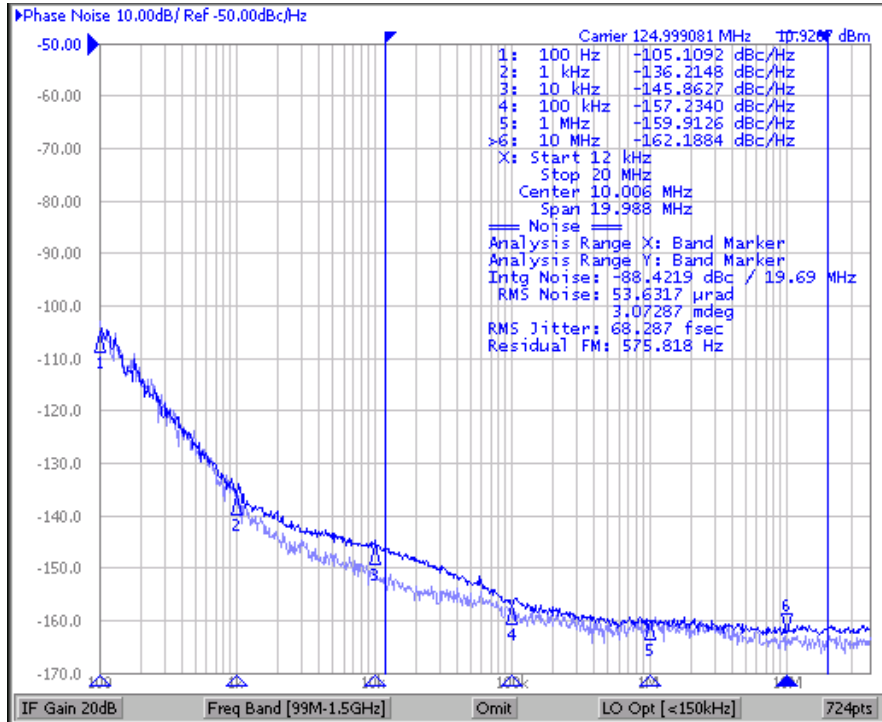
Parameters	Description	Min	Typ	Max.	Units
OSCMODE	Mode of Oscillation	Fundamental			
FREQ	Frequency	10	25	50	MHz
ESR <sup>(1)</sup>	Equivalent Series Resistance	30		50	Ohm
CLOAD	Load Capacitance		18		pF
C <sub>SHUNT</sub>	Shunt Capacitance			7	pF
DRIVE level				1	mW

**Note:** 1. ESR value is dependent upon frequency of oscillation

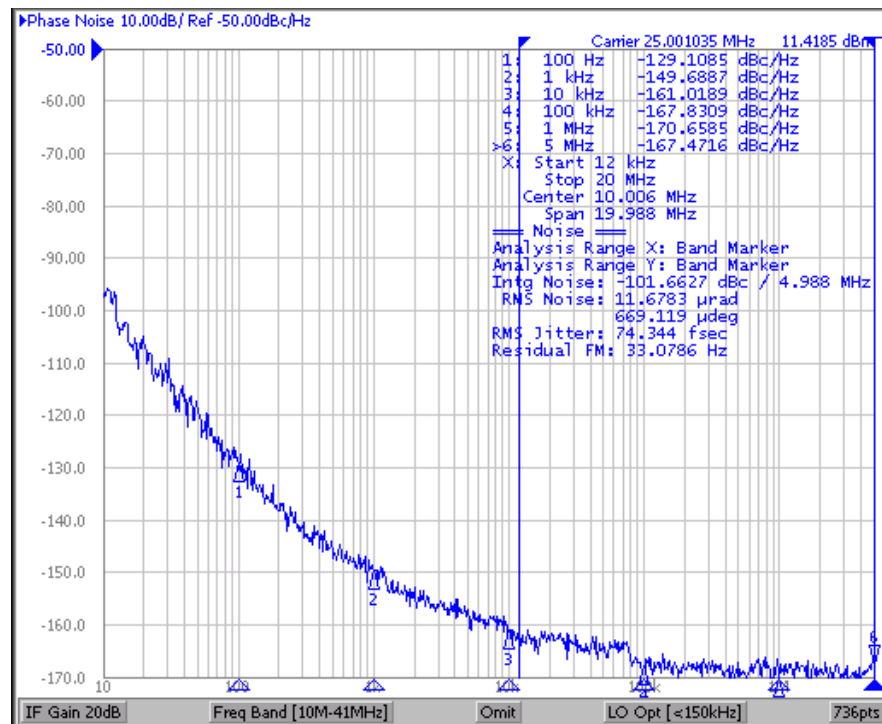
**Phase Noise and Additive Jitter**

Output phase noise (Dark Blue) vs Input Phase noise (light blue)

Additive jitter is calculated at ~47fs RMS (12kHz to 20MHz). Additive jitter =  $\sqrt{(\text{Output jitter}^2 - \text{Input jitter}^2)}$



**Oscillator Phase Jitter**



**Application Information**

*Wiring the differential input to accept single ended levels*

Figure 1 shows how the differential input can be wired to accept single ended levels. The reference voltage  $V_{REF} = V_{DD}/2$  is generated by the bias resistors R1, R2 and C1. This bias circuit should be located as close as possible to the input pin. The ratio of R1 and R2 might need to be adjusted to position the  $V_{REF}$  in the center of the input voltage swing. For example, if the input clock swing is only 2.5V and  $V_{DD} = 3.3V$ ,  $V_{REF}$  should be 1.25V and  $R1/R2 = 0.609$ .

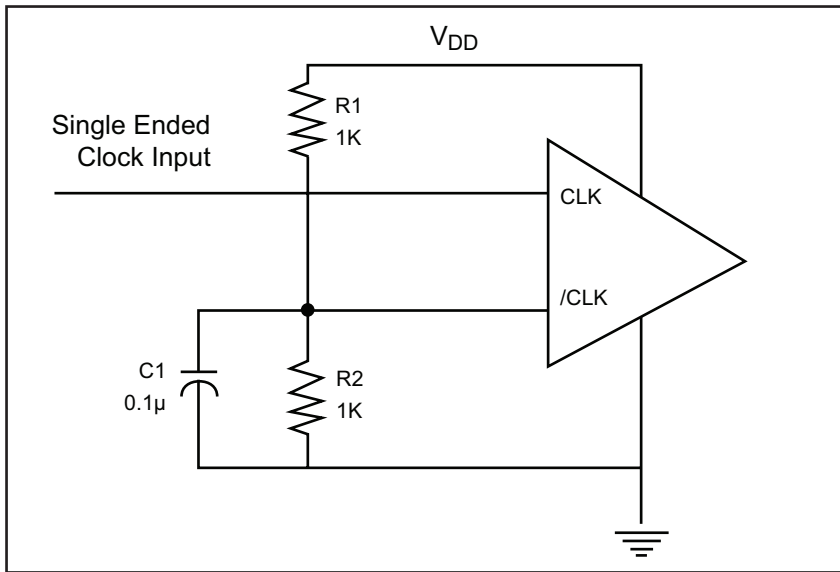
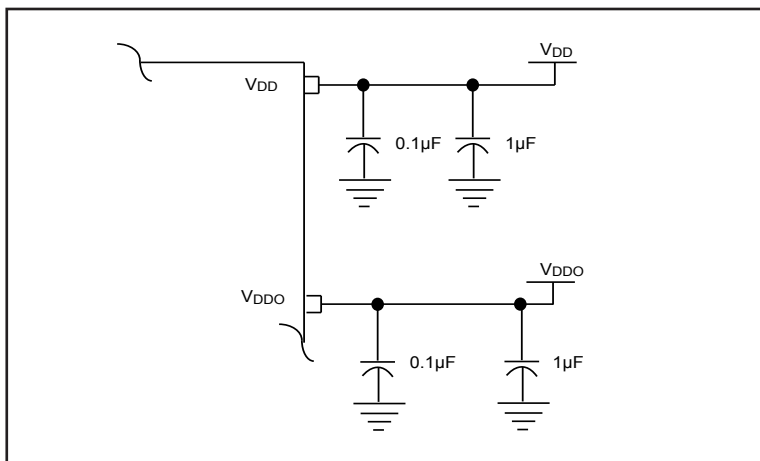


Figure 1. Single-ended input to Differential input device

**Power Supply Filtering Techniques**

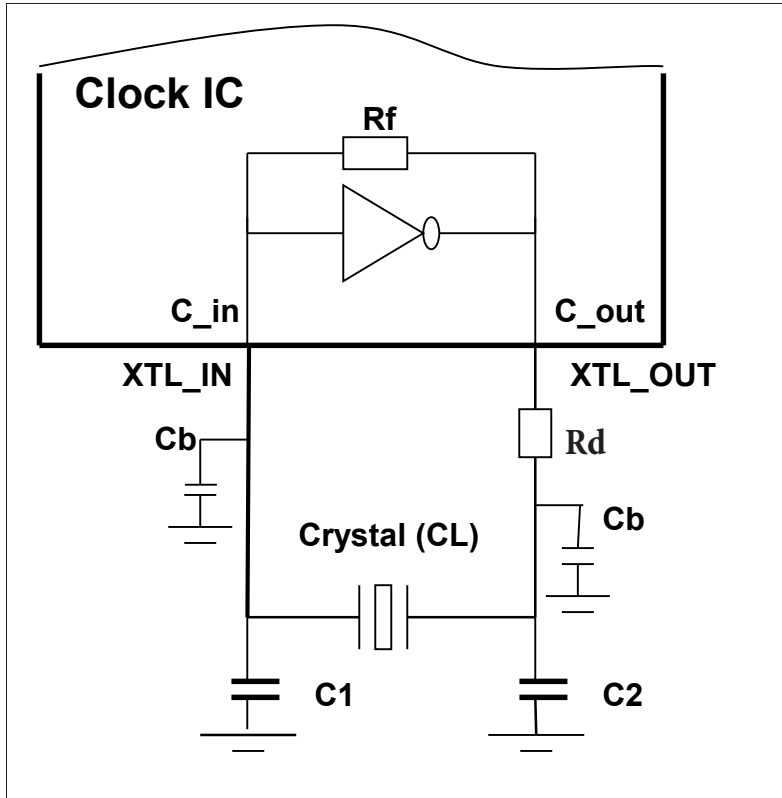
As in any high speed analog circuitry, the power supply pins are vulnerable to random noise. To achieve optimum jitter performance, power supply isolation is required. All power pins should be individually connected to the power supply plane through vias, 0.1µF and 1µF bypass capacitors should be used for each pin.





**Application Notes**

**Clock IC Crystal loading cap. design guide**



$CL$  =crystal spec. loading cap.

$C_{in/out}$  = (3~5pF) of IC pin cap.

$C_b$  = PCB trace (2~4pF)

$C_1, C_2$  = load cap. of design

$R_d$  = 50 to 100ohm drive level limit  
(Optimized for 25MHz 18pf XTAL without  $R_d$ )

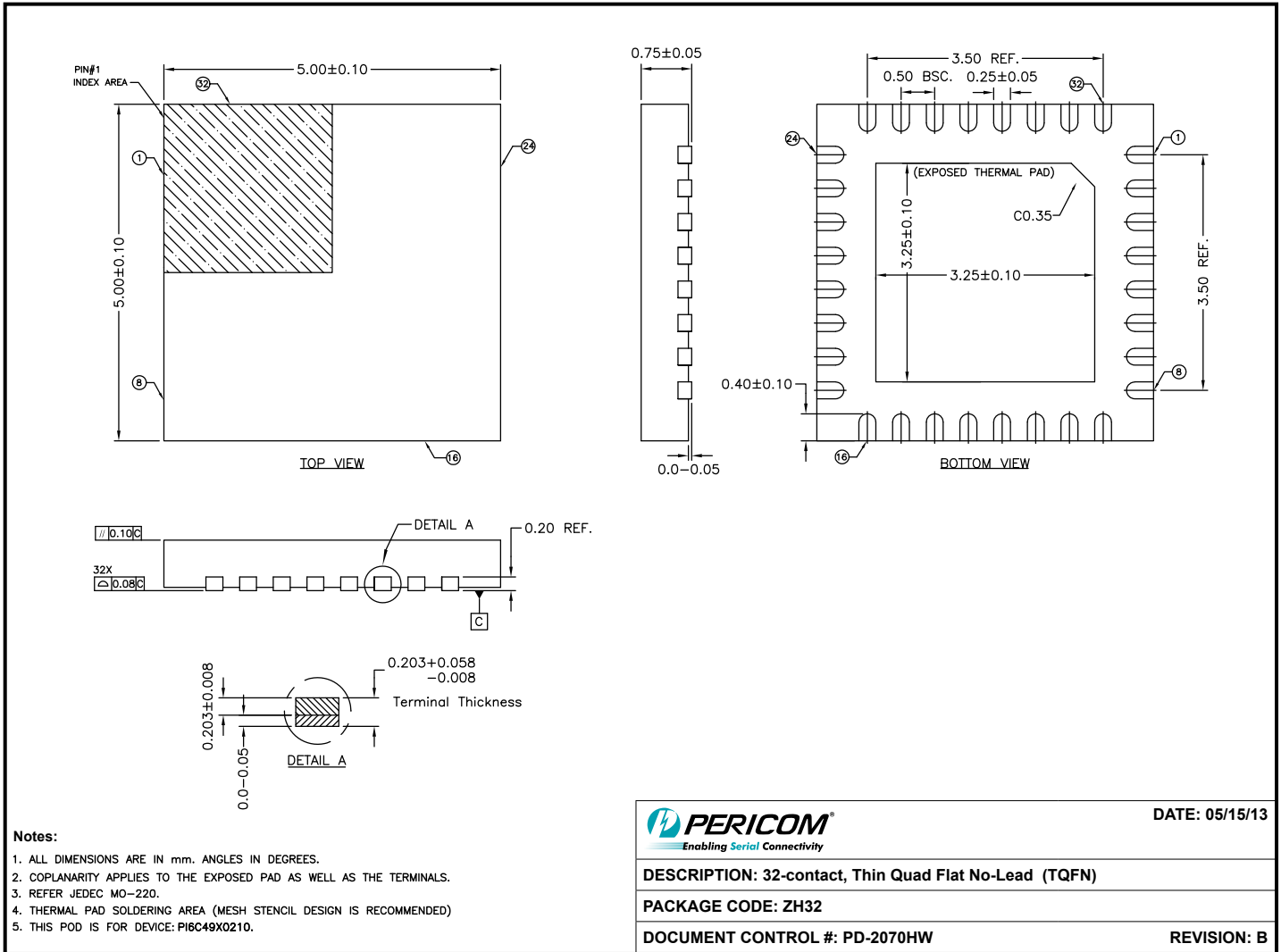
Design guide:  $C_1=C_2=2 *CL - (C_b +C_{in/out})$  to meet target +/-ppm < 20 ppm

Example1: Select  $CL=18$  pF crystal,  $C_1=C_2=2*(18pF) - (4pF+5pF)=27pF$ , check datasheet too

Example2: For higher frequency crystal ( $\Rightarrow 20MHz$ ), can use formula  $C_1=C_2=2*(CL-6)$ , can do fine tune of  $C_1, C_2$  for more accurate ppm if necessary

**Thermal Information**

Symbol	Description	Condition	
$\Theta_{JA}$	Junction-to-ambient thermal resistance	Still air	44.7 °C/W
$\Theta_{JC}$	Junction-to-case thermal resistance		21.7 °C/W



**Note:**

- For latest package info, please check: <http://www.pericom.com/products/packaging/mechanicals.php>

**Ordering Information(1,2,3)**

Ordering Code	Package Code	Package Description
PI6C49X0210ZHIE	ZH	Pb-Free and Green 32-pin TQFN

- Notes:**
1. Thermal characteristics can be found on the company web site at [www.pericom.com/packaging/](http://www.pericom.com/packaging/)
  2. E = Pb-free and Green
  3. X suffix = Tape/Reel