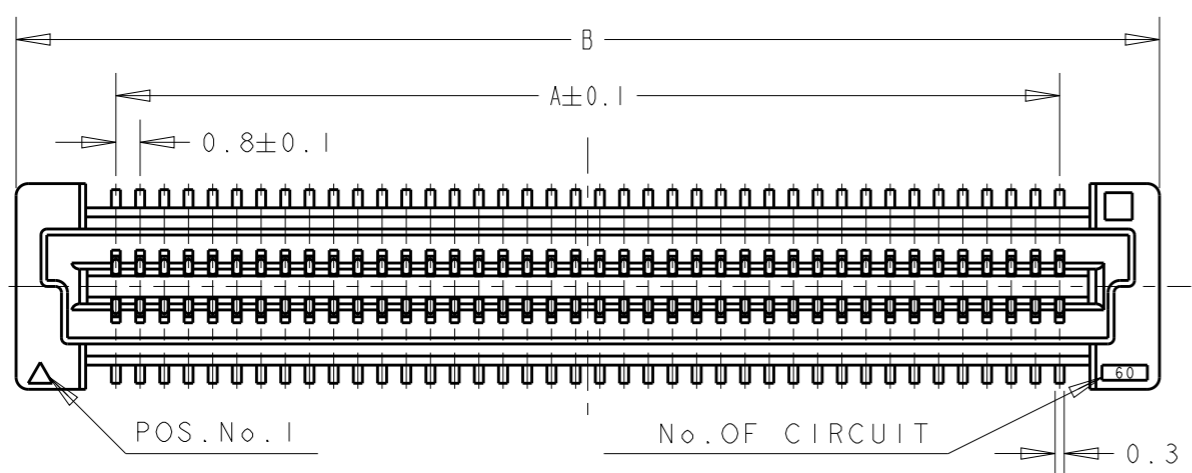
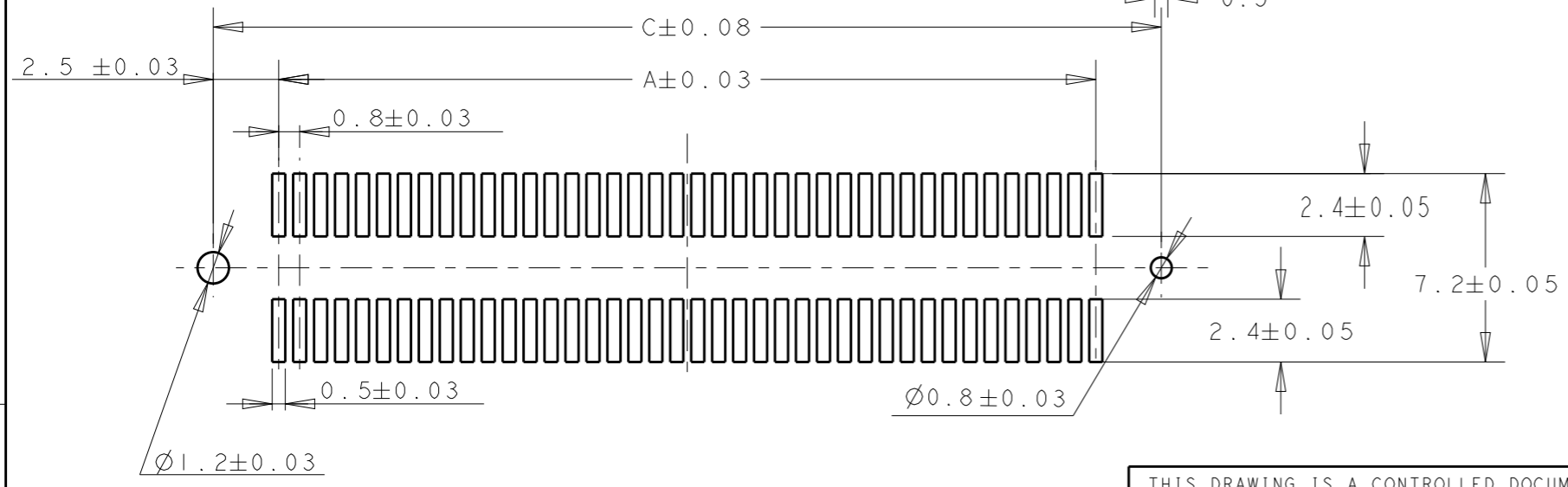
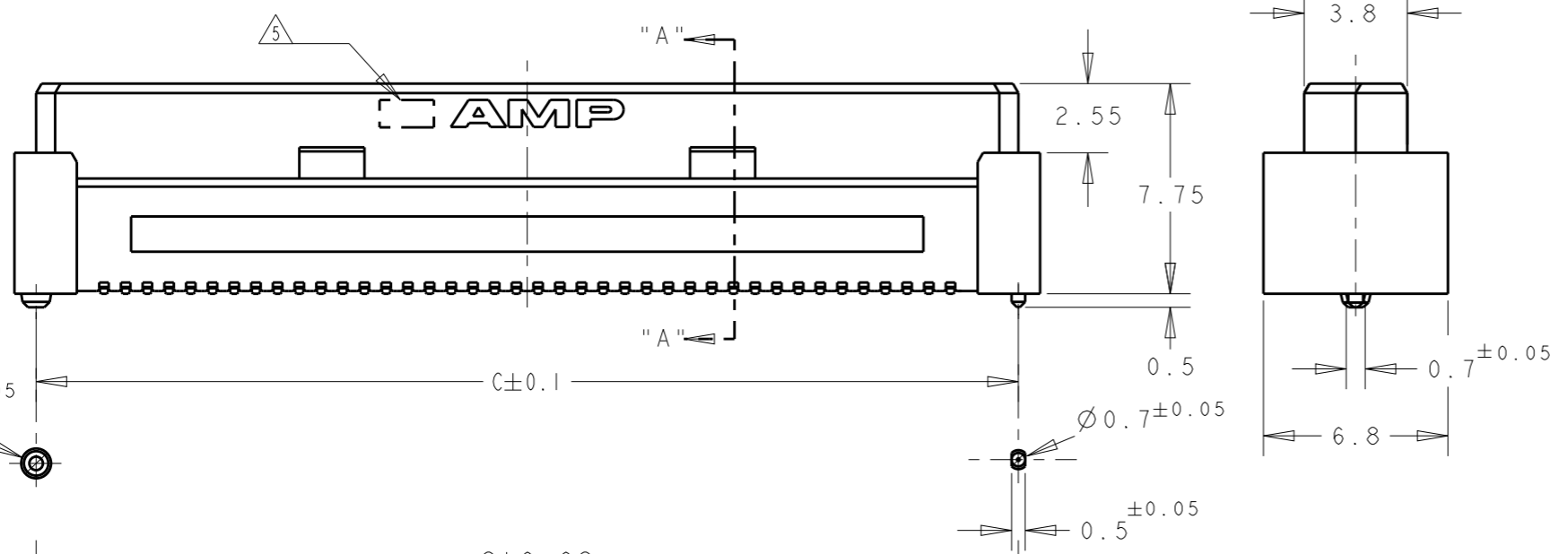
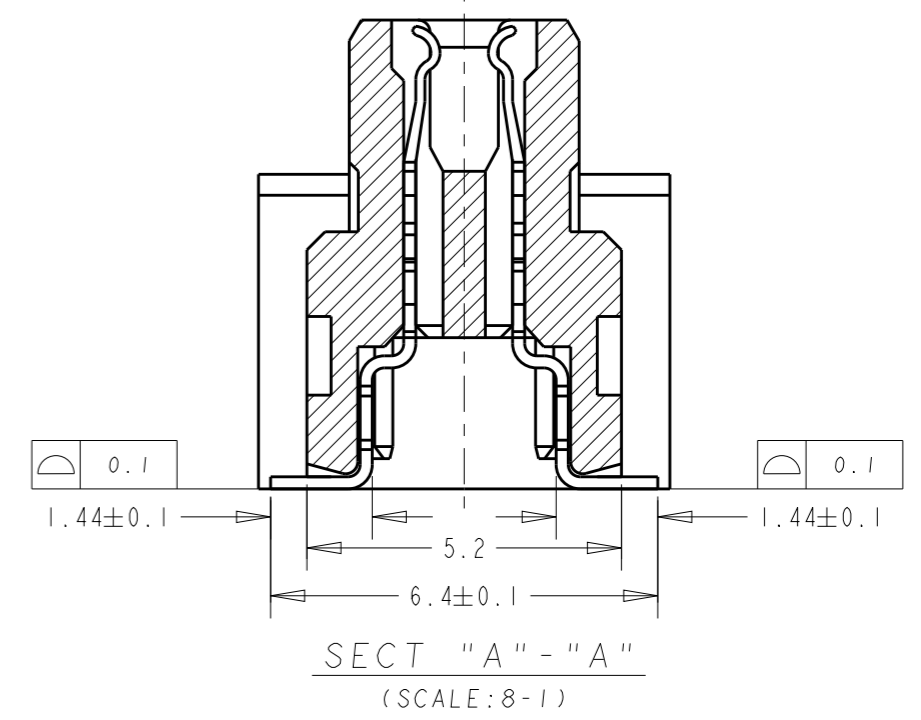


THIS DRAWING IS UNPUBLISHED. RELEASED FOR PUBLICATION 20  
 © COPYRIGHT 20 BY - ALL RIGHTS RESERVED.

REVISIONS				
P	LTR	DESCRIPTION	DATE	APVD
R		REVISED PER ECO-17-005566	27APR17	B. J S. Y



LOW HALOGEN



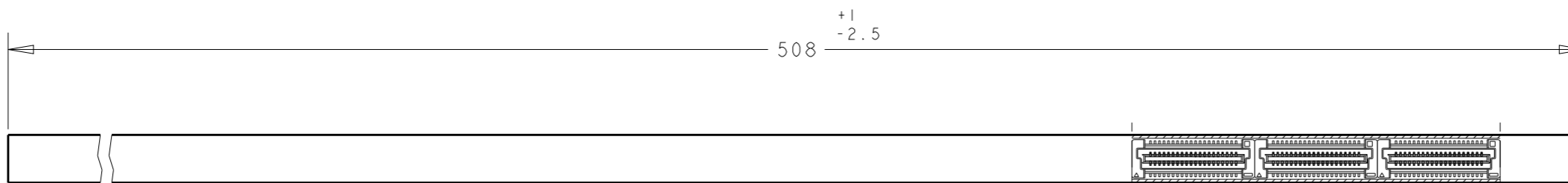
RECOMMENDED P.C. BOARD LAYOUT

CONNECTOR ONLY

- NOTES;
- 1 MATERIAL: HOUSING: L.C.P. (HIGH TEMP. THERMOPLASTIC)  
UL 94V-0, NATURAL.  
CONTACT: BERYLIUM COPPER.
  - 2 FINISH: CONTACT AREA: 0.0002 MIN GOLD ON  
0.0013 MIN ALL OVER NICKEL.  
SOLDERING AREA: 0.002 MIN MATTE-TIN
  - 3. POSITION SERIES: SEE TABLE. (SHEET 2)
  - 4. CONN STACK HEIGHT COMBINE OF PLUG "Y" H VS REC "X" H.  
STACK HEIGHT = Y + X - 5
  - 5 MANUFACTURE PLANT LOCATION MARK. QINGDAO:
  - 6 CONNECTOR WITH BLACK HOUSING AND POLYIMIDE COVER

THIS DRAWING IS A CONTROLLED DOCUMENT.		DWN FLORENCE TAN 14SEP04	TE Connectivity	
DIMENSIONS: mm		CHK ERIC TNG		
TOLERANCES UNLESS OTHERWISE SPECIFIED:		APVD SEIFONG	NAME RECEPTACLE ASSEMBLY 9H TYPE FOR FH 0.8mm PITCH B-T-B CONNECTOR	
0 PLC ±0.30		PRODUCT SPEC 108-5390	SIZE A3	
1 PLC ±0.25		APPLICATION SPEC 114-5254	CAGE CODE -	DRAWING NO C-5179009
2 PLC ±0.20		WEIGHT -	RESTRICTED TO -	
3 PLC ±0.20		CUSTOMER DRAWING		
4 PLC ±0.20		SCALE 4:1		
ANGLES ±3°		SHEET 1 OF 3		
FINISH		REV R		

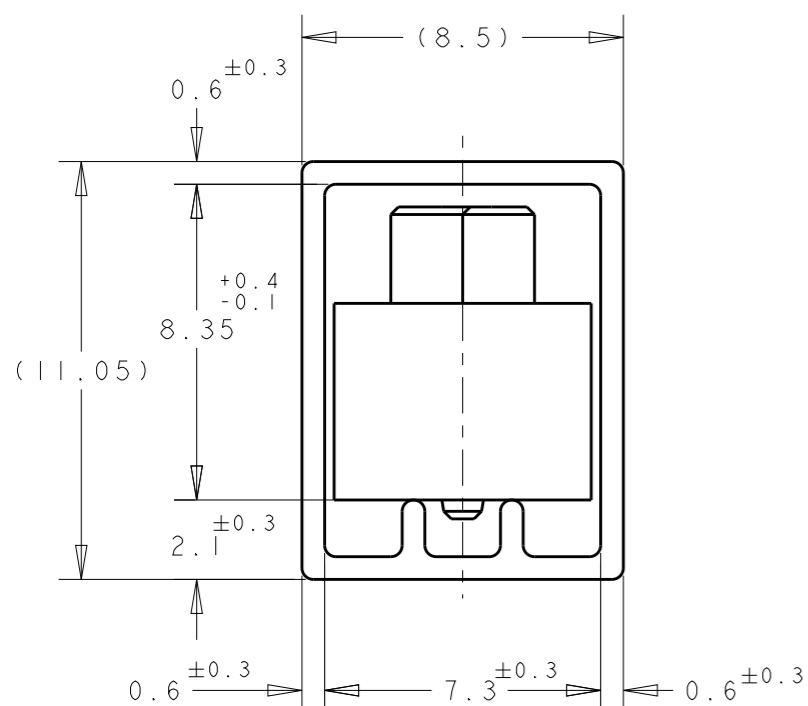
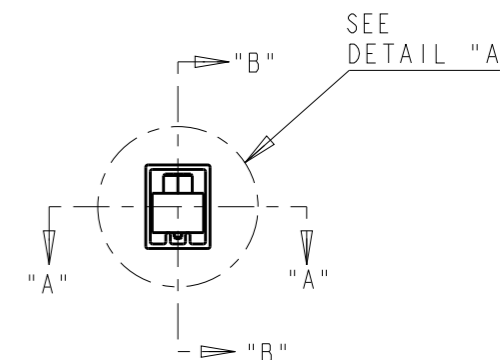
P	LTR	DESCRIPTION	DATE	DWN	APVD
		SEE SHEET 1 OF 3			



SECT "A" - "A"



SECT "B" - "B"



DETAIL "A"  
(SCALE 5-1)

WITHOUT COVER

LOW HALOGEN

84.20	85.80	79.20	200	6-	-0
76.20	77.80	71.20	180	5-	-9
68.20	69.80	63.20	160	5-	-8
60.20	61.80	55.20	140	5-	-6
52.20	53.80	47.20	120	5-	-5
44.20	45.80	39.20	100	5-	-4
36.20	37.80	31.20	80	5-	-3
28.20	29.80	23.20	60	5-	-2
20.20	21.80	15.20	40	5-5179009-1	
C	B	A	POS.	PART No.	

THIS DRAWING IS A CONTROLLED DOCUMENT.

DWN FLORENCE TAN 14SEP04

CHK ERIC TNG

APVD SEIFONG

PRODUCT SPEC

108-5390

APPLICATION SPEC

114-5254

WEIGHT -

CUSTOMER DRAWING



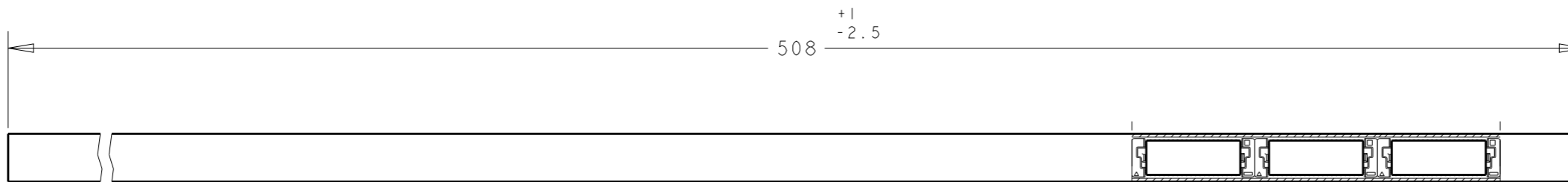
NAME RECEPTACLE ASSEMBLY 9H TYPE FOR FH 0.8mm PITCH B-T-B CONNECTOR

SIZE A3 CAGE CODE - DRAWING NO C-5179009 RESTRICTED TO -

SCALE 4:1 SHEET 2 OF 3 REV R

DIMENSIONS:	TOLERANCES UNLESS OTHERWISE SPECIFIED:
mm	
	0 PLC ±-
	1 PLC ±0.30
	2 PLC ±0.25
	3 PLC ±0.20
	4 PLC ±-
	ANGLES ±3°
MATERIAL	FINISH

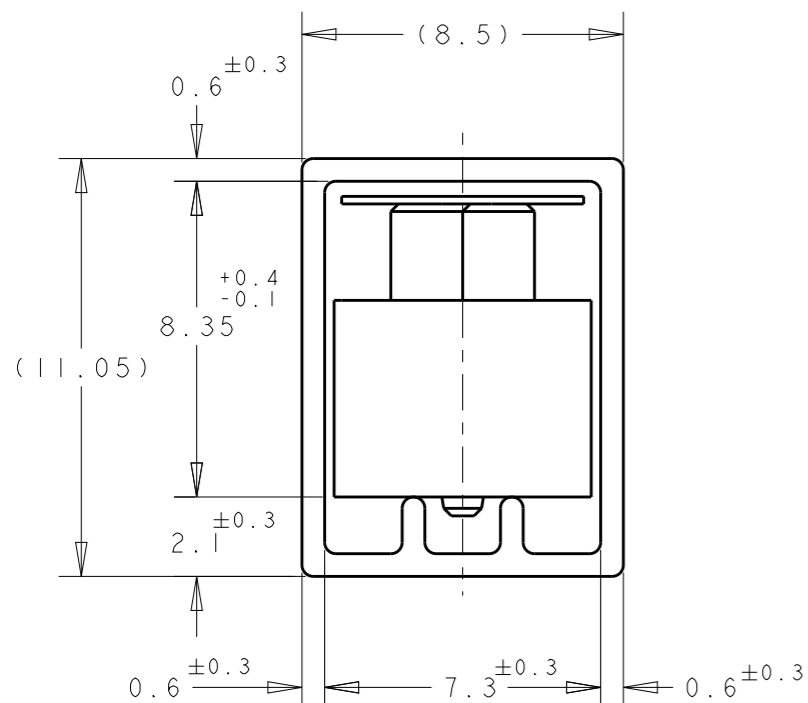
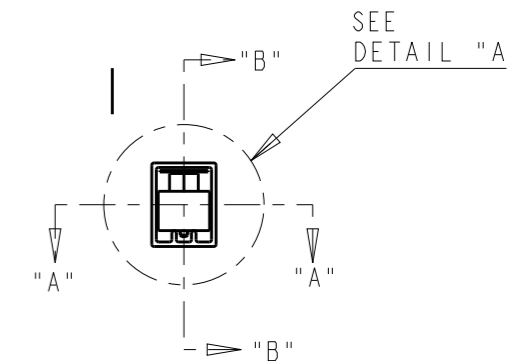
P	LTR	DESCRIPTION	DATE	DWN	APVD
		SEE SHEET 1 OF 3			



SECT "A" - "A"



SECT "B" - "B"



DETAIL "A"  
(SCALE 5-1)

WITH POLYIMIDE COVER

LOW HALOGEN

60.20	61.80	55.20	140	9-5179009-6
C	B	A	POS.	PART No.

THIS DRAWING IS A CONTROLLED DOCUMENT.		DWN FLORENCE TAN 14SEP04		
DIMENSIONS: mm		CHK ERIC TNG		
TOLERANCES UNLESS OTHERWISE SPECIFIED:		APVD SEIFONG	NAME RECEPTACLE ASSEMBLY 9H TYPE FOR FH 0.8mm PITCH B-T-B CONNECTOR	
0 PLC ±-		PRODUCT SPEC 108-5390	SIZE A3	
1 PLC ±0.30		APPLICATION SPEC 114-5254	CAGE CODE -	DRAWING NO C=5179009
2 PLC ±0.25		WEIGHT -	RESTRICTED TO -	
3 PLC ±0.20		CUSTOMER DRAWING	SCALE 4:1	SHEET 3 OF 3
4 PLC ±-				REV R
ANGLES ±3°				
FINISH				
MATERIAL				