

# C0402X7R0G151K020BC

TDK Item Description : C0402X7R0G151KT\*\*\*\*

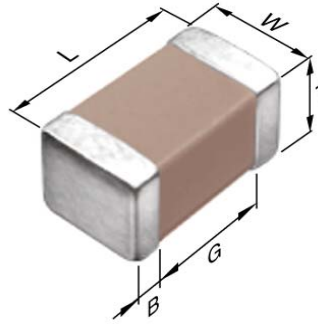


## Application & Main Feature

Commercial Grade ( General (Up to 50V) )

## Series

C0402 [EIA CC01005]



## Dimensions

L 0.40mm +/-0.02mm  
 W 0.20mm +/-0.02mm  
 T 0.20mm +/-0.02mm  
 B 0.07mm Min.  
 G 0.14mm Min.

## Temperature Characteristic

X7R (-55 to 125 degC +/-15%)

## Rated Voltage

0G (4Vdc)

## Capacitance

150pF

## Capacitance Tolerance

K (+/-10%)

## Dissipation Factor

5% Max.

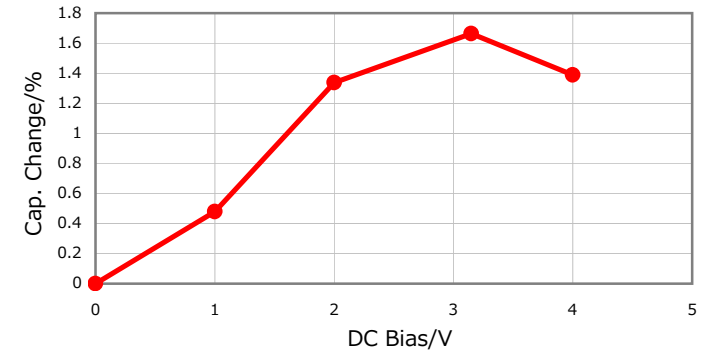
## Insulation Resistance

10Gohm Min.

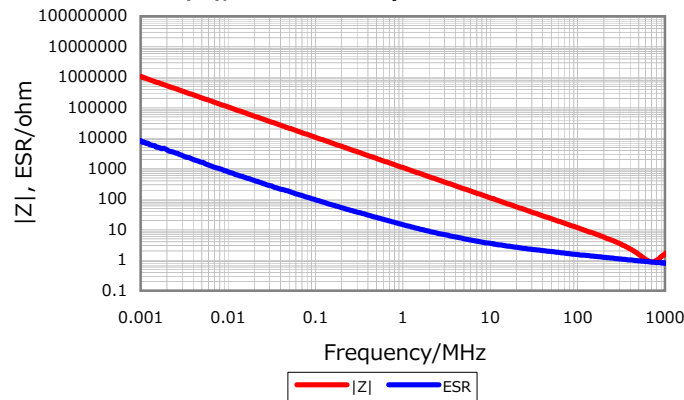
## AEC-Q200

Not Applicable

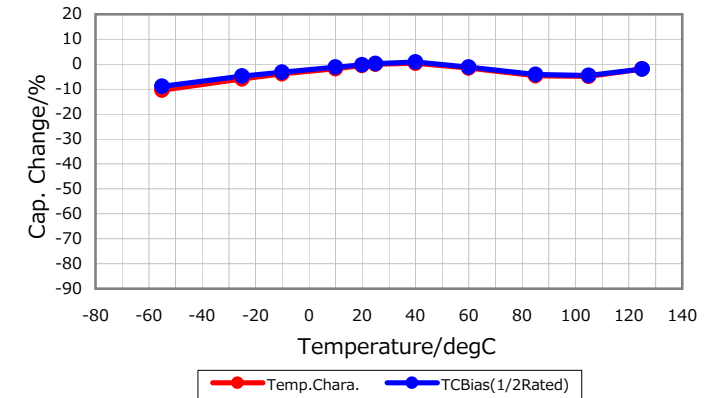
## DC Bias Characteristic



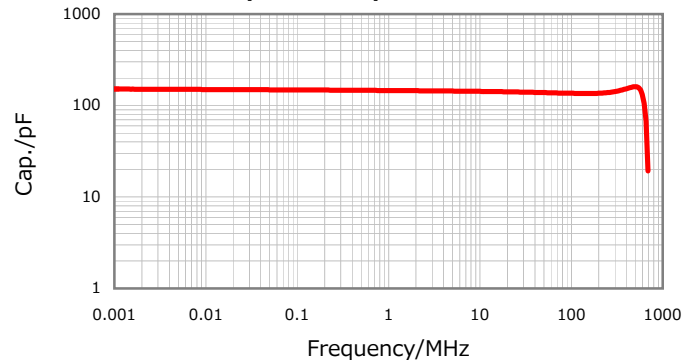
## |Z|, ESR vs. Freq. Characteristics



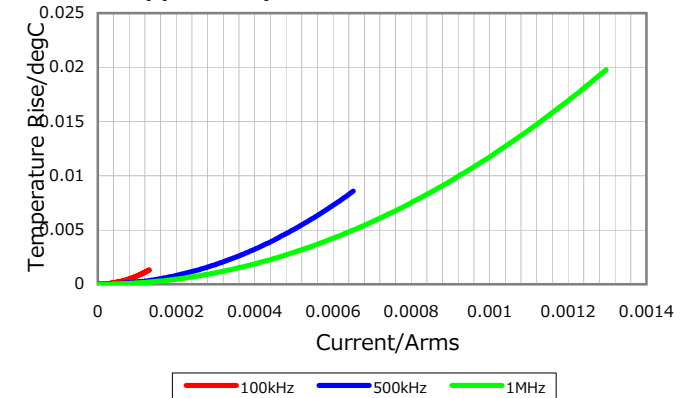
## Temperature Characteristics



## Cap. vs. Freq. Characteristic



## Ripple Temperature Rise Characteristics



Characterization Sheet ( Multilayer Ceramic Chip Capacitors )



All specifications are subject to change without notice.

January 2, 2016