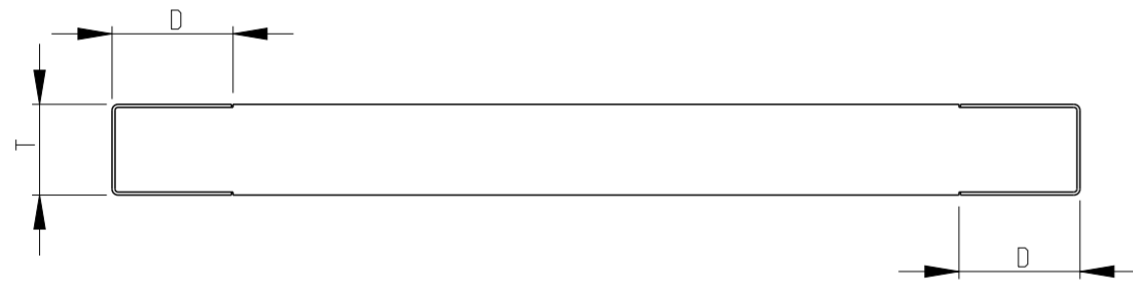
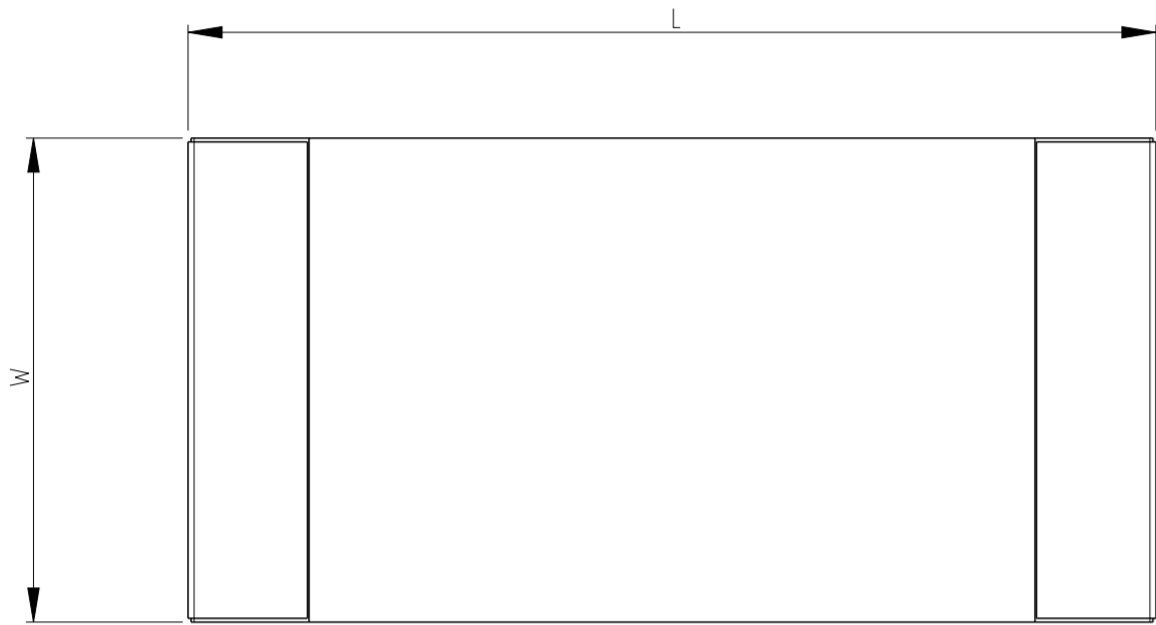


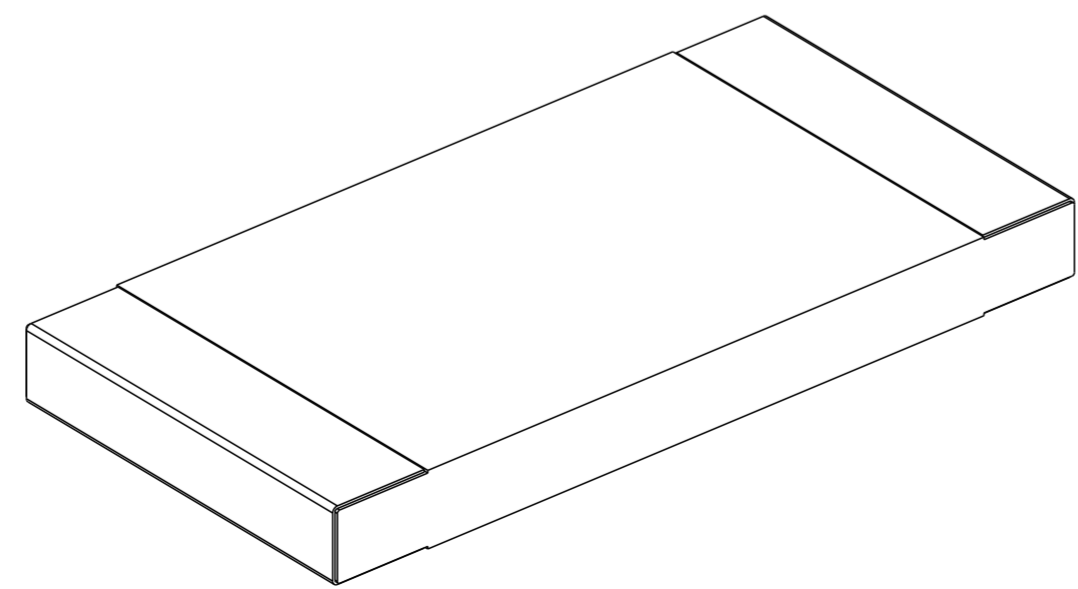
P	LTR	DESCRIPTION	DATE	DWN	APVD
BA2		ECR-17-014659	05OCT2017	RK	TN
BA3		ECR-19-001041	24JAN2019	SR	AP
BA4		ECR-19-006706	30APR2019	SR	AP
BA5		ECR-20-012788	14SEP2020	SB	AP

FOR FURTHER INFORMATION SEE DATA SHEET FOR TLR SERIES-SMD HIGH POWER CURRENT SENSE RESISTORS



RoHS Compliant

Complete TIN	Product Number	Part Description	Resistance mΩ	L	W	T	D	Weight / 1000pcs (g)
SUPERSEDED BY 2176417-3	1879378-1	TLR3A10DR01FTDG	TLR 2512 1.0W R01 1% 100PPM 2K RL					
	1879378-2	TLR3A30DR001FTDG	TLR 2512 3.0W R001 1% 50PPM 2K RL	1	6.35 ±0.254	3.18 ±0.254	0.65 ±0.20	1.30 ±0.38
	1879378-3	TLR3A30ER0005FTDG	TLR 2512 3.0W R0005 1% 50PPM 2K RL	0.5	6.35 ±0.254	3.18 ±0.254	1.25 ±0.20	1.30 ±0.38
OBSOLETE	1879378-4	TLR3A10DR022FTDG	TLR3A 1.0W R022 1% 2K RL					
OBSOLETE	1879378-5	TLR3A10DR008FTDG	TLR3A 1.0W R008 1% 2K RL					
OBSOLETE	1879378-6	TLR3A10DR018FTDG	TLR3A 1.0W R018 1% 2K RL					
	1879378-7	TLR3A20DR0005FTDG	TLR 2512 2.0W R0005 1% 50PPM 2K RL	0.5	6.35 ±0.254	3.18 ±0.254	1.25 ±0.20	1.30 ±0.38
	1879378-8	TLR3A20DR00075FTDG	TLR 2512 2.0W R00075 1% 50PPM 2K RL	0.75	6.35 ±0.254	3.18 ±0.254	0.75 ±0.20	1.30 ±0.38
	1879378-9	TLR3A20DR001FTDG	TLR 2512 2.0W R001 1% 50PPM 2K RL	1	6.35 ±0.254	3.18 ±0.254	0.65 ±0.20	1.30 ±0.38
	1-1879378-0	TLR3A20DR0015FTDG	TLR 2512 2.0W R0015 1% 50PPM 2K RL	1.5	6.35 ±0.254	3.18 ±0.254	0.45 ±0.20	1.30 ±0.38
	1-1879378-1	TLR3A20DR002FTDG	TLR 2512 2.0W R002 1% 50PPM 2K RL	2	6.35 ±0.254	3.18 ±0.254	0.35 ±0.20	1.30 ±0.38
	1-1879378-2	TLR3A20KR003FTDG	TLR 2512 2.0W R003 1% 150PPM 2K RL	3	6.35 ±0.254	3.18 ±0.254	0.55 ±0.20	1.30 ±0.38
SUPERSEDED BY 2176421-7	1-1879378-3	TLR3A20ER004FTDG	TLR 2512 2.0W R004 1% 100PPM 2K RL					
OBSOLETE	1-1879378-4	TLR3A20DR0045FTDG	TLR3A 2.5W R0045 1% 2K RL					
SUPERSEDED BY 2176421-4	1-1879378-5	TLR3A20DR005FTDG	TLR 2512 2.0W R005 1% 75PPM 4K RL					
SUPERSEDED BY 4-1879378-2	1-1879378-6	TLR3A20DR006FTDG	TLR 2512 2.0W R006 1% 75PPM 4K RL					
SUPERSEDED BY 5-1879378-0	1-1879378-7	TLR3A20DR0065FTDG	TLR 2512 2.0W R0065 1% 50PPM 2K RL					
SUPERSEDED BY 4-1879378-3	1-1879378-8	TLR3A20DR007FTDG	TLR 2512 2.0W R007 1% 75PPM 4K RL					
SUPERSEDED BY 2176421-5	1-1879378-9	TLR3A20DR008FTDG	TLR 2512 2.0W R008 1% 75PPM 4K RL					
SUPERSEDED BY 2176421-6	2-1879378-0	TLR3A20DR009FTDG	TLR 2512 2.0W R009 1% 75PPM 4K RL					
SUPERSEDED BY 2176421-1	2-1879378-1	TLR3A20DR01FTDG	TLR 2512 2.0W R01 1% 75PPM 4K RL					
	2-1879378-2	TLR3A30ER00075FTDG	TLR 2512 3.0W R00075 1% 50PPM 2K RL	0.75	6.35 ±0.254	3.18 ±0.254	0.75 ±0.20	1.30 ±0.38
	2-1879378-3	TLR3A30DR0015FTDG	TLR 2512 3.0W R0015 1% 50PPM 2K RL	1.5	6.35 ±0.254	3.18 ±0.254	0.45 ±0.20	1.30 ±0.38
	2-1879378-4	TLR3A30DR002FTDG	TLR 2512 3.0W R002 1% 50PPM 2K RL	2	6.35 ±0.254	3.18 ±0.254	0.35 ±0.20	1.30 ±0.38
SUPERSEDED BY 2176422-1	2-1879378-5	TLR3A30DR003FTDG	TLR 2512 3.0W R003 1% 75PPM 2K RL					
	2-1879378-6	TLR3A10DR0005FTDG	TLR 2512 1.0W R0005 1% 50PPM 2K RL	0.5	6.35 ±0.254	3.18 ±0.254	1.25 ±0.20	1.30 ±0.38
	2-1879378-7	TLR3A10DR00075FTDG	TLR 2512 1.0W R00075 1% 50PPM 2K RL	0.75	6.35 ±0.254	3.18 ±0.254	0.75 ±0.20	1.30 ±0.38
	2-1879378-8	TLR3A10DR001FTDG	TLR 2512 1.0W R001 1% 50PPM 2K RL	1	6.35 ±0.254	3.18 ±0.254	0.65 ±0.20	1.30 ±0.38
	2-1879378-9	TLR3A10DR0015FTDG	TLR 2512 1.0W R0015 1% 50PPM 2K RL	1.5	6.35 ±0.254	3.18 ±0.254	0.45 ±0.20	1.30 ±0.38
	3-1879378-0	TLR3A10DR002FTDG	TLR 2512 1.0W R002 1% 50PPM 2K RL	2	6.35 ±0.254	3.18 ±0.254	0.35 ±0.20	1.30 ±0.38
	3-1879378-1	TLR3A10KR0025FTDG	TLR 2512 1.0W R0025 1% 150PPM 2K RL	2.5	6.35 ±0.254	3.18 ±0.254	0.65 ±0.20	1.30 ±0.38
	3-1879378-2	TLR3A10KR003FTDG	TLR 2512 1.0W R003 1% 150PPM 2K RL	3	6.35 ±0.254	3.18 ±0.254	0.55 ±0.20	1.30 ±0.38
	3-1879378-3	TLR3A10ER004FTDG	TLR 2512 1.0W R004 1% 100PPM 2K RL	4	6.35 ±0.254	3.18 ±0.254	0.45 ±0.20	1.30 ±0.38
	3-1879378-4	TLR3A10ER005FTDG	TLR 2512 1.0W R005 1% 100PPM 2K RL	5	6.35 ±0.254	3.18 ±0.254	0.35 ±0.20	1.30 ±0.38
	3-1879378-5	TLR3A10WR006FTDG	TLR 2512 1.0W R006 1% 75PPM 2K RL	6	6.35 ±0.254	3.18 ±0.254	0.32 ±0.20	1.30 ±0.38
	3-1879378-6	TLR3A10WR007FTDG	TLR 2512 1.0W R007 1% 75PPM 2K RL	7	6.35 ±0.254	3.18 ±0.254	0.27 ±0.20	1.30 ±0.38
SUPERSEDED BY 2176417-9	3-1879378-7	TLR3A10DR011FTDG	TLR 2512 1.0W R011 1% 50PPM 2K RL					
SUPERSEDED BY 1-2176417-0	3-1879378-8	TLR3A10DR012FTDG	TLR 2512 1.0W R012 1% 50PPM 2K RL					
SUPERSEDED BY 1-2176417-1	3-1879378-9	TLR3A10DR013FTDG	TLR 2512 1.0W R013 1% 50PPM 2K RL					
SUPERSEDED BY 2176417-4	4-1879378-0	TLR3A10DR015FTDG	TLR 2512 1.0W R015 1% 50PPM 2K RL					
	4-1879378-1	TLR3A20KR0025FTDG	TLR 2512 2.0W R0025 1% 150PPM 2K RL	2.5	6.35 ±0.254	3.18 ±0.254	0.65 ±0.20	1.30 ±0.38
	4-1879378-2	TLR3A20WR006FTDG	TLR 2512 2.0W R006 1% 75PPM 2K RL	6	6.35 ±0.254	3.18 ±0.254	0.32 ±0.20	1.30 ±0.38
	4-1879378-3	TLR3A20WR007FTDG	TLR 2512 2.0W R007 1% 75PPM 2K RL	7	6.35 ±0.254	3.18 ±0.254	0.27 ±0.20	1.30 ±0.38
	4-1879378-4	TLR3A20ER010FTDG	TLR 2512 2.0W R010 1% 100PPM 2K RL	10	6.35 ±0.254	3.18 ±0.254	0.25 ±0.20	1.30 ±0.38
OBSOLETE	4-1879378-5	TLR3A25DR004FTDG	TLR 2512 2.5W R004 1% 50PPM 2K RL					
OBSOLETE	4-1879378-6	TLR3A25DR005FTDG	TLR 2512 2.5W R005 1% 75PPM					
OBSOLETE	4-1879378-7	TLR3A25DR006FTDG	TLR 2512 2.5W R006 1% 50PPM 2K RL					
	4-1879378-8	TLR3A30DR002FTDG20K	TLR3A 3.0W R002 1% 2K RL 20K MOQ	2	6.35 ±0.254	3.18 ±0.254	0.35 ±0.20	1.30 ±0.38
	4-1879378-9	TLR3A30DR0005FTDGV	TLR3A 3.0W R0005 1% 50PPM 2K RL 500K MOQ	0.5	6.35 ±0.254	3.18 ±0.254	1.25 ±0.20	1.30 ±0.38
	5-1879378-0	TLR3A20WR0065FTDG	TLR 2512 2.0W R0065 1% 75PPM 2K RL	6.5	6.35 ±0.254	3.18 ±0.254	0.30 ±0.20	1.30 ±0.38



THIS DRAWING IS A CONTROLLED DOCUMENT.

DIMENSIONS: mm

TOLERANCES UNLESS OTHERWISE SPECIFIED:

0 PLC	±0.2
1 PLC	±0.1
2 PLC	±
3 PLC	±
4 PLC	±
ANGLES	±5°
FINISH	-

MATERIAL: -

APPROVALS:

DWN	PRASAD K	14SEP2011
CHK	A. PILE	14SEP2011
APVD	J. CATCHPOLE	14SEP2011

PRODUCT SPEC: -

APPLICATION SPEC: -

WEIGHT: -

CUSTOMER DRAWING

SCALE: 10:1

SHEET: 1 OF 1

REV: BA5

NAME: SMD HIGH POWER - CURRENT SENSE RESISTORS, SERIES TLR - 3A

SIZE: A2

CAGE CODE: 00779

DRAWING NO: C-1879378

RESTRICTED TO: -

TE Connectivity