

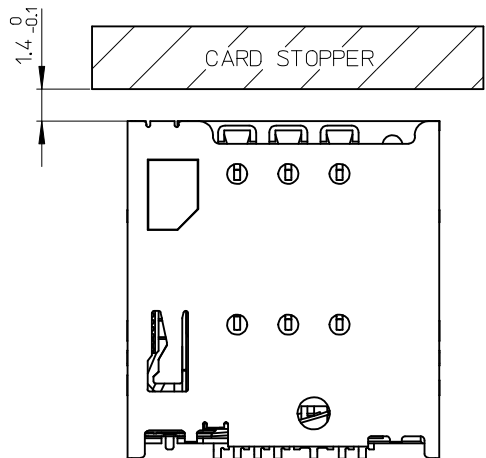
番号 NO.	名称 NAME	材料 MATERIAL	仕上げ (めっき) FINISHES (PLATING)
①	ハウジング HOUSING	液晶ポリマー(LCP)、ガラス充填、UL94 V-0、黒	LIQUID CRYSTAL POLYMER (LCP), GLASS FILLED, UL94 V-0, BLACK
②	スライダー SLIDER	ステンレス鋼	STAINLESS STEEL
③	ターミナル TERMINAL	焼青銅 PHOSPHOR BRONZE	接触部: 金めっき(0.5µmMIN.) 基板実装部: 金めっき 下地: ニッケルめっき(1.0µmMIN.) CONTACT AREA: GOLD PLATING (0.5 MICROMETER MINIMUM) SOLDER TAIL AREA: GOLD PLATING UNDERPLATE: NICKEL OVERALL (1.0 MICROMETER MINIMUM)
④	シェル SHELL	銅合金 COPPER ALLOY	
⑤	スプリング SPRING	ピアノ線 SWP	全面: ニッケルめっき NICKEL OVERALL
⑥	ピン PIN	ステンレス鋼	STAINLESS STEEL
⑦	ディテクトレバー DETECT LEVER	焼青銅 PHOSPHOR BRONZE	接触部: 金めっき(0.2µmMIN.) 基板実装部: 金めっき 下地: ニッケルめっき(1.0µmMIN.) CONTACT AREA: GOLD PLATING (0.2 MICROMETER MINIMUM) SOLDER TAIL AREA: GOLD PLATING UNDERPLATE: NICKEL OVERALL (1.0 MICROMETER MINIMUM)
⑧	ディテクトスイッチ DETECT SWITCH	焼青銅 PHOSPHOR BRONZE	接触部: 金めっき(0.2µmMIN.) 基板実装部: 金めっき 下地: ニッケルめっき(1.0µmMIN.) CONTACT AREA: GOLD PLATING (0.2 MICROMETER MINIMUM) SOLDER TAIL AREA: GOLD PLATING UNDERPLATE: NICKEL OVERALL (1.0 MICROMETER MINIMUM)

- NOTES**
- ターミナル及びびネイルの平坦度は 0.08 MAX. (測定用定板面を基準)
TERMINAL AND NAIL COPLANARITY TO BE 0.08 MAX.(FROM GAUGE PLANE)
 - △ スタンドオフ寸法
STAND OFF DIMENSION
本寸法はコネクタ全高に含まれます。
STAND OFF DIMENSION IS INCLUDED IN THE CONNECTOR TOTAL HEIGHT.
 - パターン禁止エリア PATTERN PROHIBITION AREA
 - カード検知スイッチ DETECT SWITCH
- | | |
|--------------------------------|------------|
| カード挿入時 CARD INSERTING POSITION | オープン OPEN |
| カード未挿入時 NO CARD | クローズ CLOSE |
- 肉抜き位置は任意とする。CAVITY IS TO BE OPTIONAL.
 - ロット印字は任意とする。LOT NUMBERING IS TO BE OPTIONAL.
 - ELV及びRoHS 適合品 ELV AND RoHS COMPLIANT.
 - 括弧寸法は、参考値となります。(Dimension) : REFERENCE VALUE

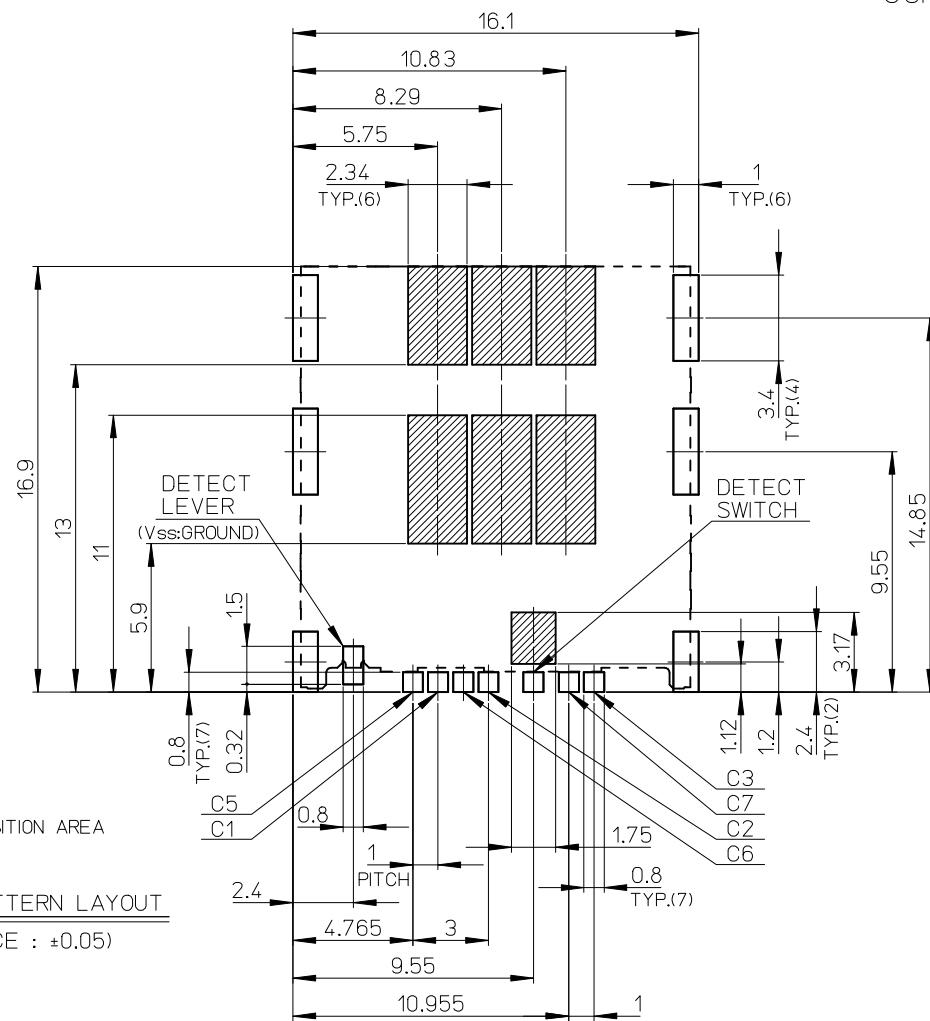
503960-0694	6
EMBOSSED PACKAGE	極数
オーダー番号 ORDER NO.	CIRCUITS

CONNECTOR SERIES No. 503960-****

RELEASED		GENERAL TOLERANCES (UNLESS SPECIFIED)		DIMENSION STYLE		SCALE	DESIGN UNITS	THIRD ANGLE PROJECTION	
EC NO: J2013-0351	2012/09/10	10 UNDER	±0.2	MM ONLY	DATE	1:1	METRIC	TITLE	
DRWN: MTAKASAKI	2012/09/10	10 OVER 30 UNDER	±0.25	DRAWN BY	2012/09/10			MICRO SIM CARD CONN.	
CHKD: MTOMITA	2012/09/10	30 OVER	±0.3	CHECKED BY	2012/09/10			PUSH/PUSH NORMAL TYPE	
APPR: YO ITO	2012/09/20	ANGULAR	±1 °	APPROVED BY	2012/09/20			ASS'Y	
		DRAFT WHERE APPLICABLE MUST REMAIN WITHIN DIMENSIONS		MATERIAL NO.				moLEX	
				SIZE	SEE CHART			SD-503960-005	
								SHEET NO. 1 OF 2	



RECOMMENDED CARD STOPPER POSITION



パターン禁止エリア
PATTERN PROHIBITION AREA

RECOMMENDED PCB PATTERN LAYOUT
(GENERAL TOLERANCE : ±0.05)

SEE SHEET 1 OF 2 EC NO: J2013-0351 DRWN: MTAKASAKI 2012/09/10 CHKD: MTOMITA 2012/09/10 APPR: YOITO 2012/09/20	GENERAL TOLERANCES (UNLESS SPECIFIED)		DIMENSION STYLE MM ONLY		SCALE 1:1	DESIGN UNITS METRIC	THIRD ANGLE PROJECTION
	10 UNDER	±0.2	DRAWN BY MTAKASAKI	DATE 2012/09/10	TITLE MICRO SIM CARD CONN. PUSH/PUSH NORMAL TYPE ASS'Y		
	10 OVER 30 UNDER	±0.25	CHECKED BY MTOMITA	DATE 2012/09/10			
	30 OVER	±0.3	APPROVED BY YOITO	DATE 2012/09/20	molex MATERIAL NO. SEE SHEET 1 OF 2 DOCUMENT NO. SD-503960-005 SHEET NO. 2 OF 2		
ANGULAR ±1 °		SIZE A3		THIS DRAWING CONTAINS INFORMATION THAT IS PROPRIETARY TO MOLEX INCORPORATED AND SHOULD NOT BE USED WITHOUT WRITTEN PERMISSION			
DRAFT WHERE APPLICABLE MUST REMAIN WITHIN DIMENSIONS							