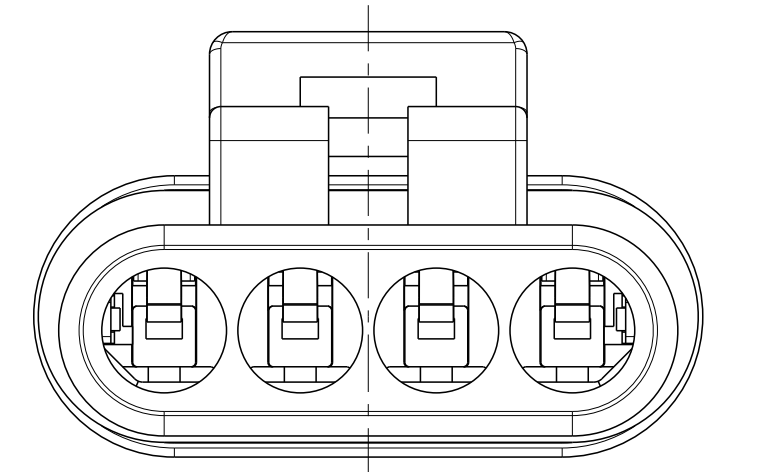
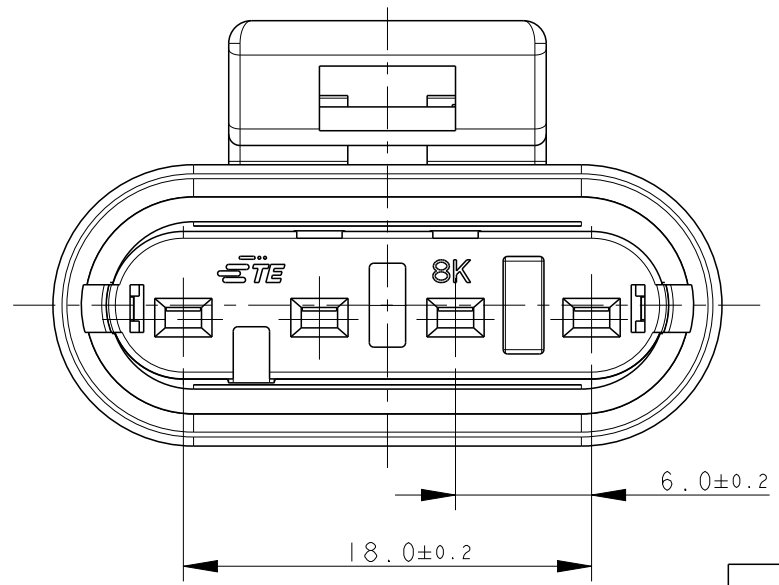
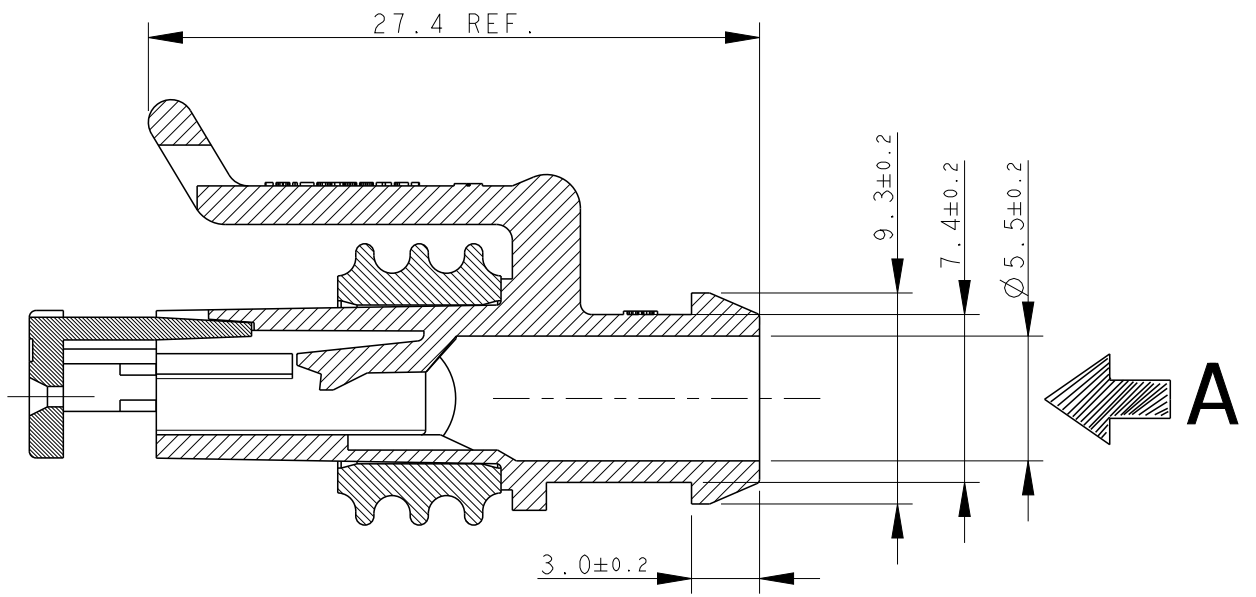
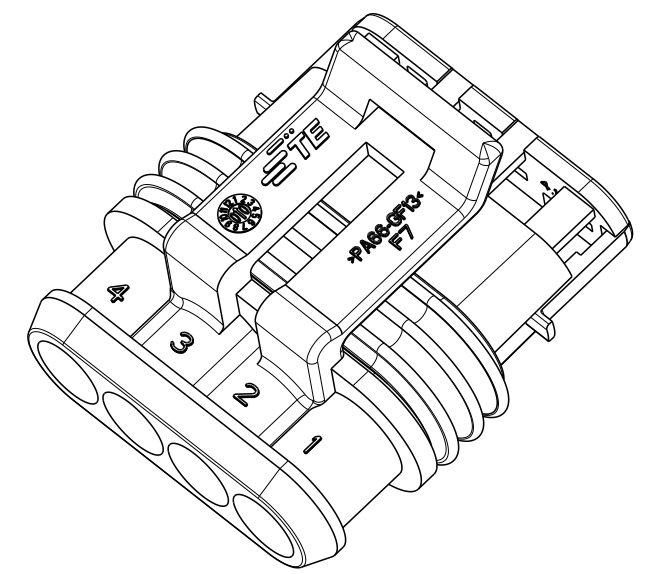
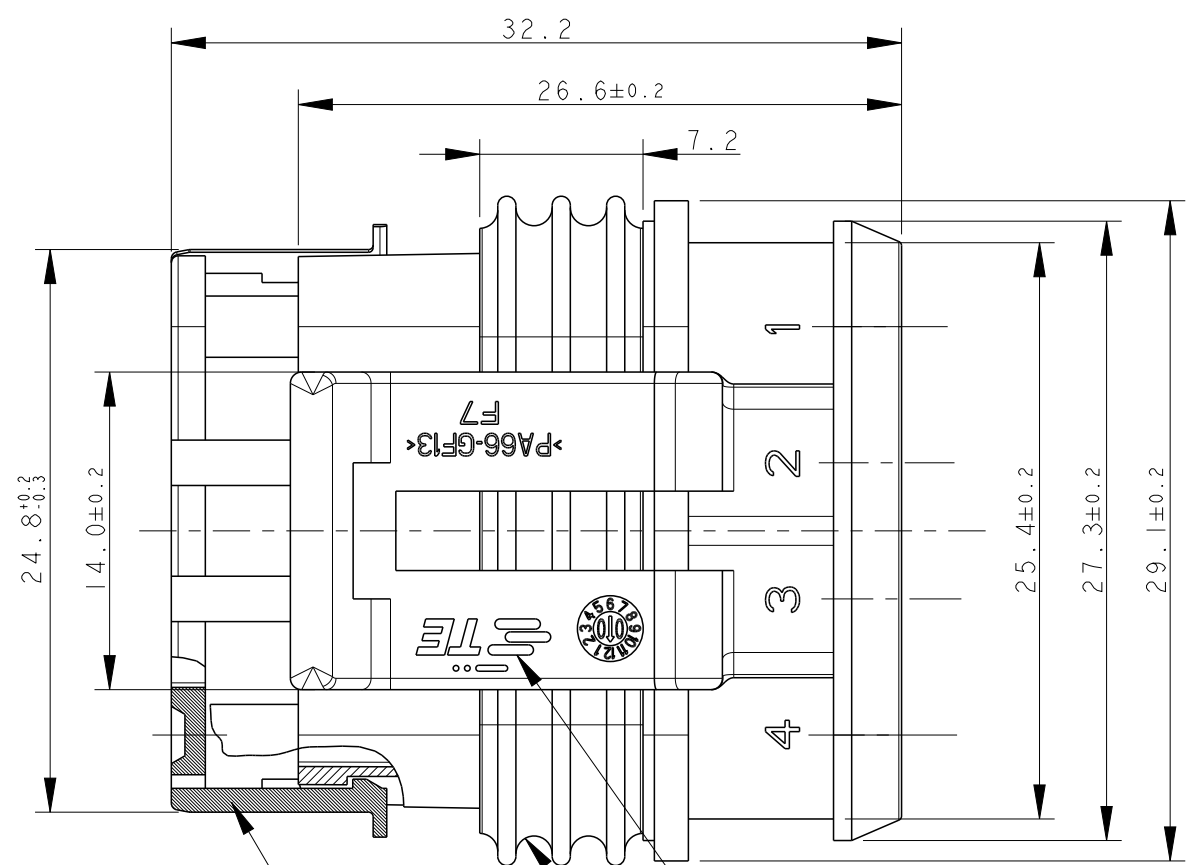


THIS DRAWING IS UNPUBLISHED. RELEASED FOR PUBLICATION 2007  
 © COPYRIGHT 2007 BY - ALL RIGHTS RESERVED.

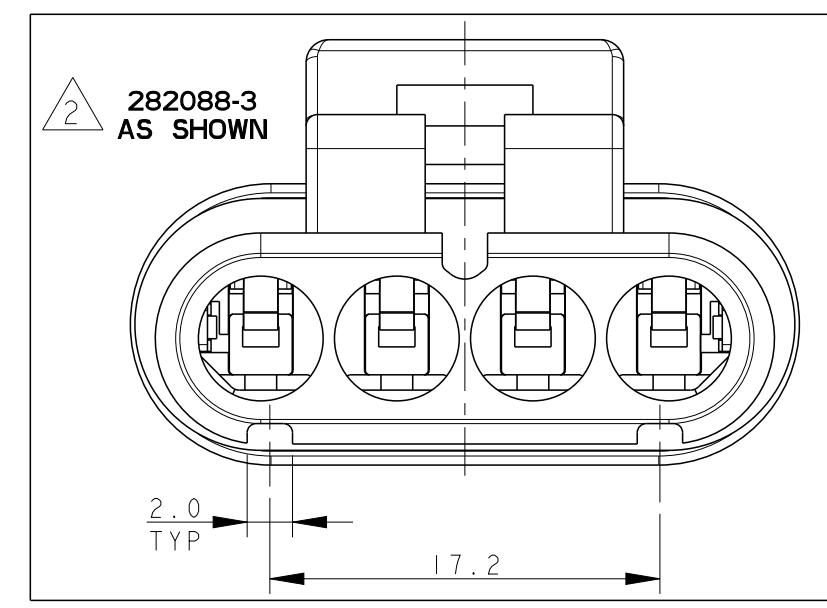
P	LTR	DESCRIPTION	DATE	DWN	APVD
F3		REVISED (ECR-15-014031)	2ESEP2015	M.G.	M.G.
F4		REVISED PER ECO-17-001706	10FEB2017	C.A.	M.G.



VIEW FROM "A"



282088-1 AS SHOWN



COLOUR	MATERIAL	PART NUMBER
2 BLACK	HOUSING+SEC.LOCK: PA66-GF SEALING: LSR	282088-3
GRAY		282088-2
BLACK		282088-1

TE CONNECTIVITY TRADE MARK, (IN ALTERNATIVE: "AMP" LOGO, OR "Tyco Electronics" LOGO)

SEALING (COLOUR YELLOW)

PRE-ASSEMBLED SECONDARY LOCK (COLOUR RED)

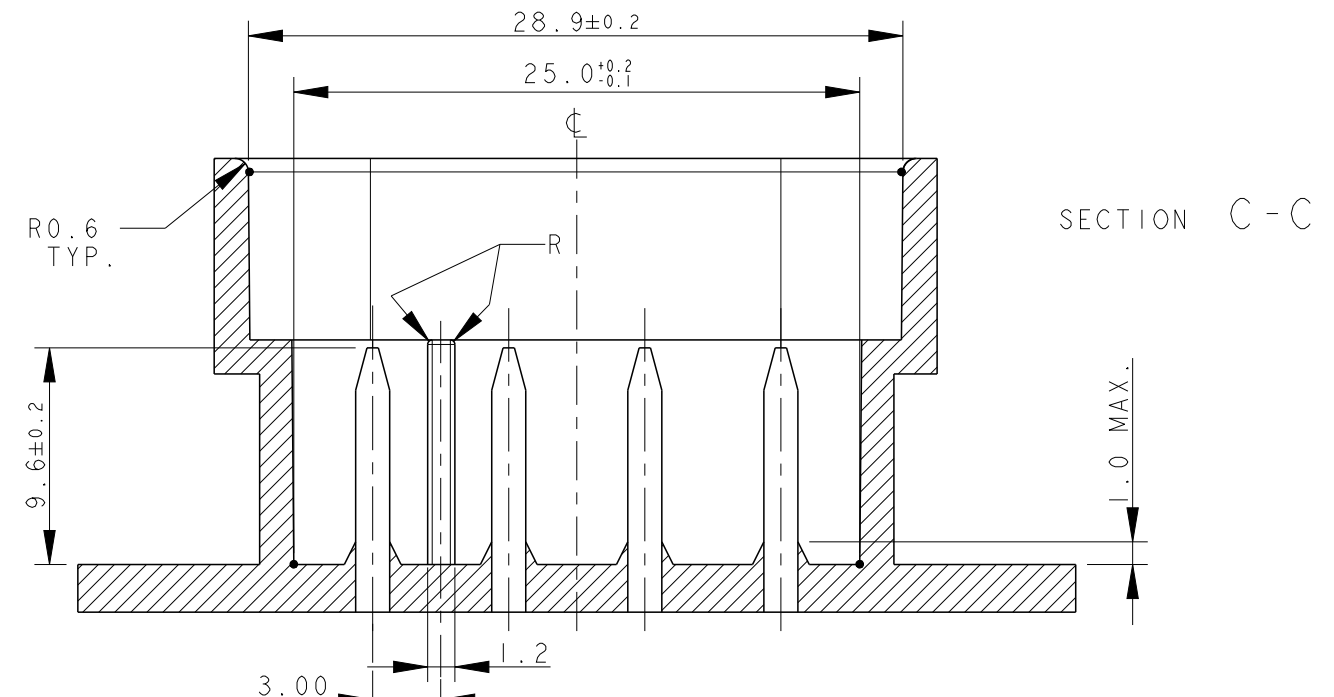
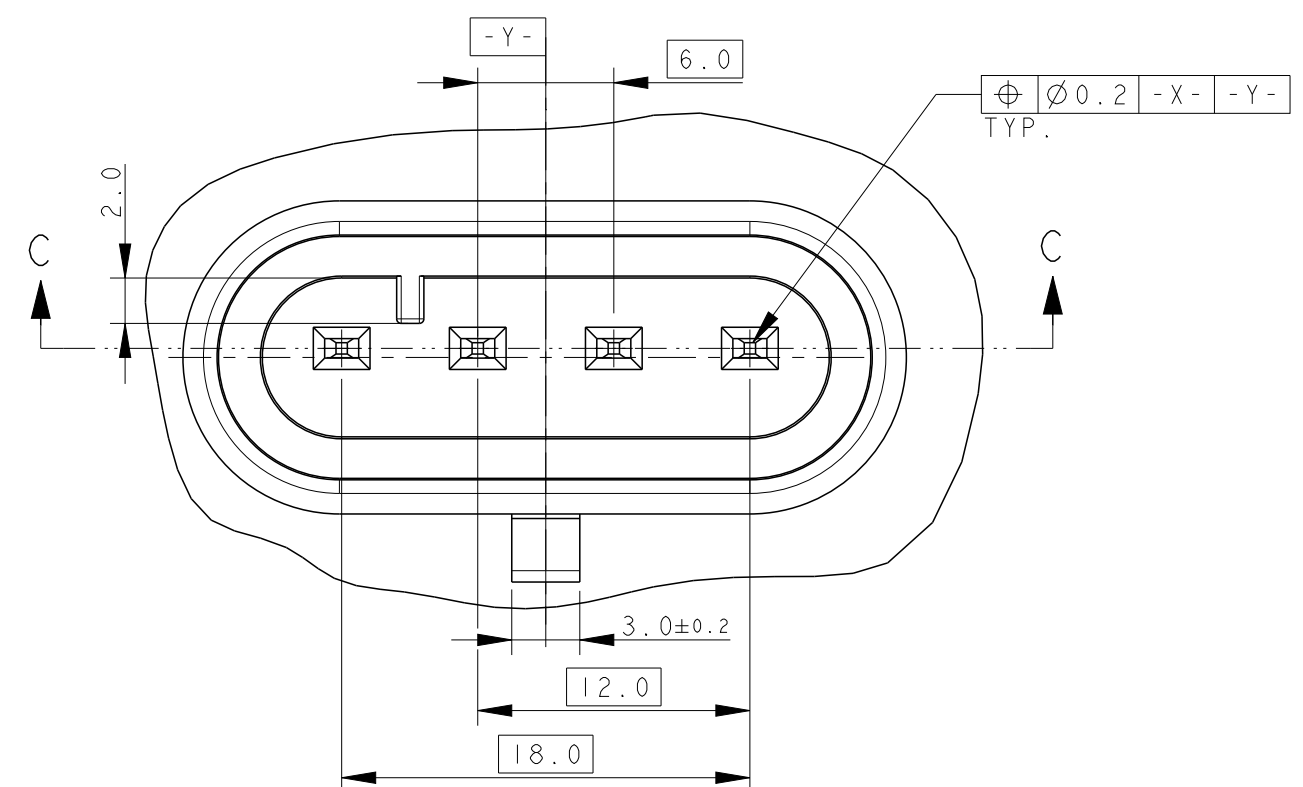
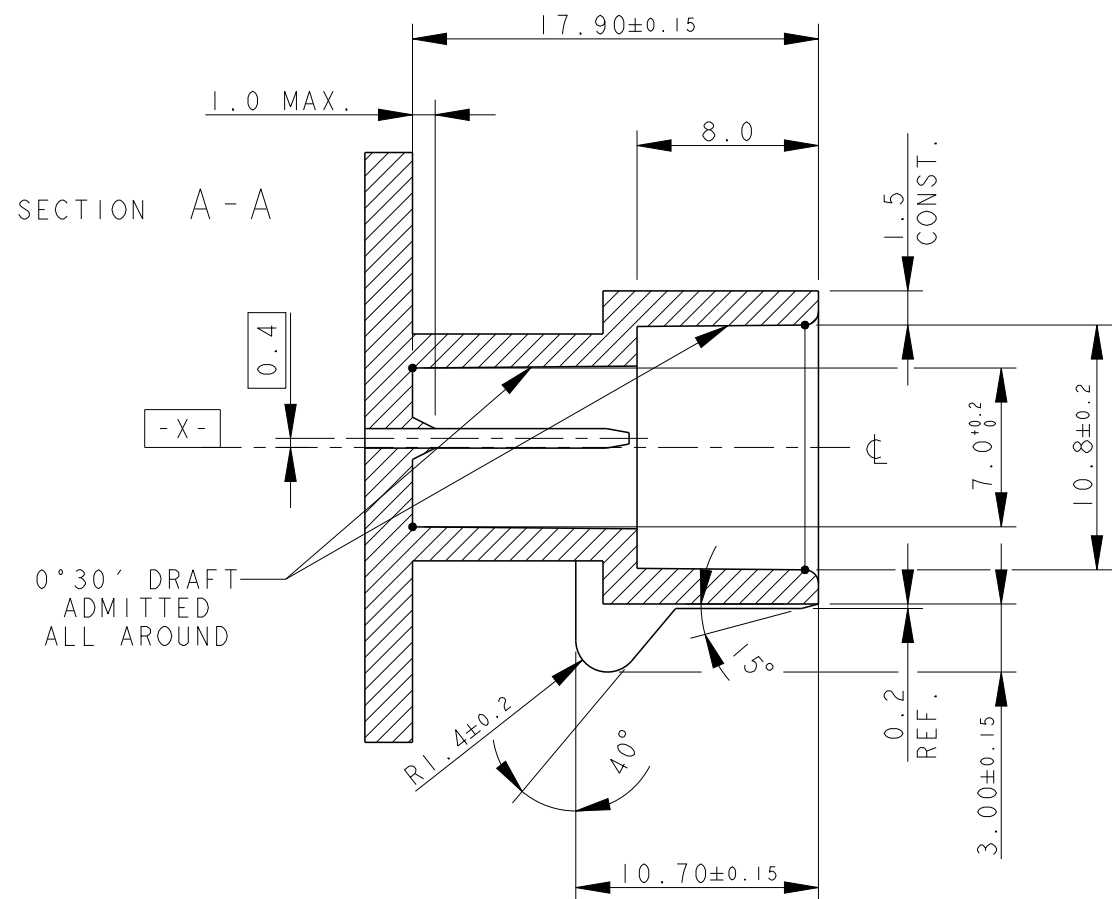
1) FOR COUNTERPART DETAILS, SEE SHEET 2 OF 2

2 282088-3 DIFFERS FROM -1 FOR WHAT INDICATED

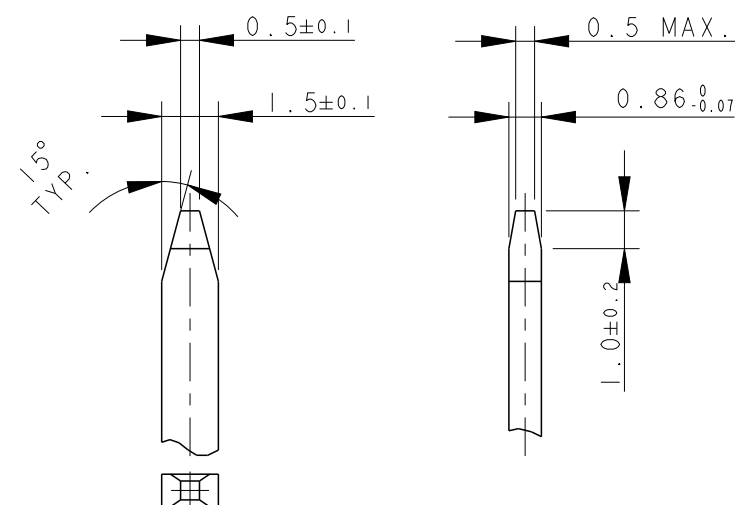
THIS DRAWING IS A CONTROLLED DOCUMENT.		DWN C. BERTINI 05-1992	TE Connectivity	
		CHK A. BRUNI 05-1992		
DIMENSIONS: mm		APVD -	NAME -	
TOLERANCES UNLESS OTHERWISE SPECIFIED:		PRODUCT SPEC 108-20090	AMP SUPERSEAL 1.5 SRS. 4 POSITIONS PLUG ASS'Y	
0 PLC ±-		APPLICATION SPEC 412-20000	SIZE A3	CAGE CODE 00779
1 PLC ±0.3		WEIGHT 4.65gr	DRAWING NO C-282088	RESTRICTED TO -
2 PLC ±-				
3 PLC ±-				
4 PLC ±-				
ANGLES ±2°				
FINISH -				
MATERIAL -				
SEE TABLE		Customer Drawing		
		SCALE 3:1		SHEET 1 OF 2
				REV F4

P	LTR	DESCRIPTION	DATE	DWN	APVD
-	-	SEE SHEET 1		-	-

### COUNTERPART DETAILS



### TAB DETAILS



**MATERIALS:** PA66-GF FOR HOUSING  
TIN PLATED BRASS FOR TABS

THIS DRAWING IS A CONTROLLED DOCUMENT.		DWN C. BERTINI 05-1992	<b>TE Connectivity</b>	
DIMENSIONS: mm		CHK A. BRUNI 05-1992		
TOLERANCES UNLESS OTHERWISE SPECIFIED:		APVD -	NAME -	
0 PLC ±0.3		PRODUCT SPEC 108-20090	AMP SUPERSEAL 1.5 SRS. 4 POSITIONS PLUG ASS'Y	
1 PLC ±0.1		APPLICATION SPEC 412-20000	SIZE A300779	DRAWING NO C=282088
2 PLC ±0.05		WEIGHT 4.65gr	RESTRICTED TO -	
3 PLC ±		Customer Drawing	SCALE 1:1	SHEET 2 OF 2
4 PLC ±				REV F4
ANGLES ±2°				
FINISH				