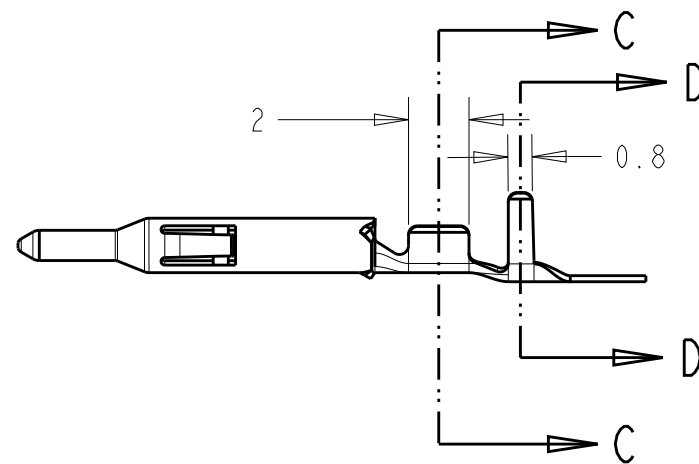
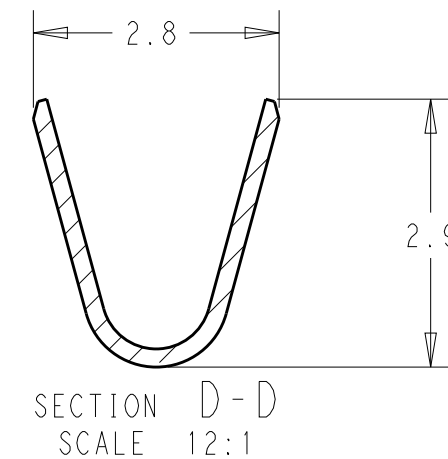
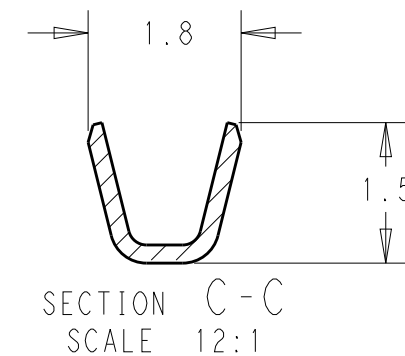
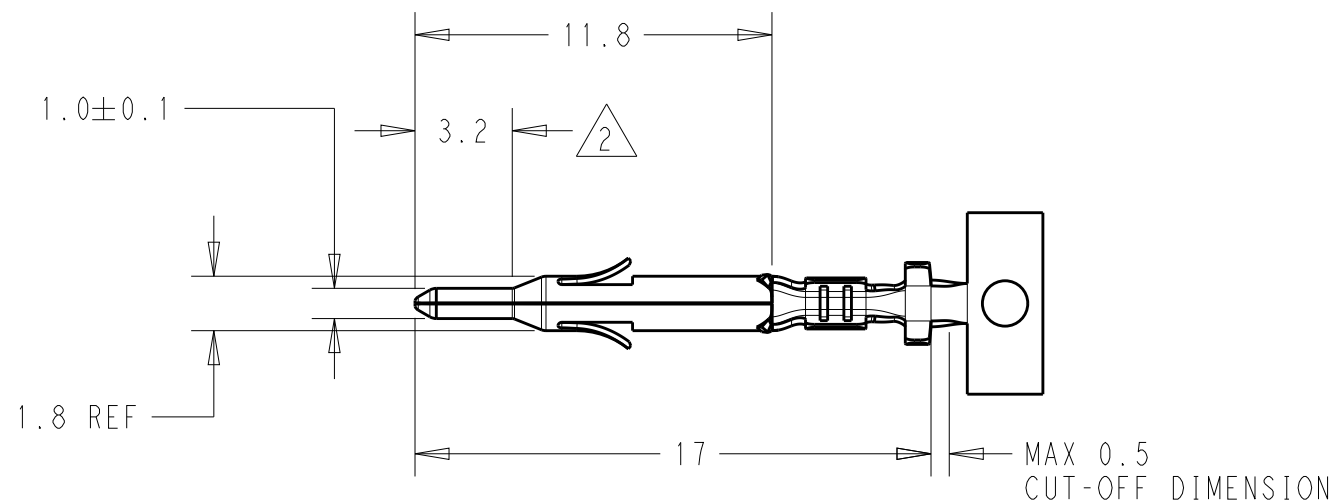


P	LTR	DESCRIPTION	DATE	DWN	APVD
	F	REVISED PER ECO-19-005751	26SEP2019	RS	SG



1. THIS CONTACT IS USED ON EITHER PLUG AND CAP HOUSING

2 0.00076mm MIN THICK GOLD-PLATED IN THE CONTACT SECTION TO 3.2mm FROM TIP END, OVER NICKEL UNDERPLATE ALL OVER

3. WIRE RANGE: 26-22 AWG, INSULATION DIA: 1.2-1.75 mm

170361, 170362, 170365, 170366	TIN/PHOS BRONZ	170363-4	170359-4
	GOLD/BRASS 3	170363-3	170359-3
	TIN/BRASS	170363-1	170359-1
MATING P/N	FINISH/MATERIAL	LOOSE PIECE P/N	PART NUMBER

THIS DRAWING IS A CONTROLLED DOCUMENT.		DWN R. SMITH 26SEP2019		
DIMENSIONS: mm		CHK S. WRIGHT 26SEP2019		
TOLERANCES UNLESS OTHERWISE SPECIFIED:		APVD S. WRIGHT 26SEP2019	NAME MINI UNIVERSAL MATE-N-LOK PIN CONTACT	
0 PLC ±0.4		PRODUCT SPEC 108-5138	SIZE A3	
1 PLC ±0.4		APPLICATION SPEC 114-5050	CAGE CODE 00779	DRAWING NO C-170359
2 PLC ±		WEIGHT -	RESTRICTED TO -	
3 PLC ±		CUSTOMER DRAWING	SCALE 4:1	SHEET 1 OF 1
4 PLC ±				REV F
ANGLES ±				
MATERIAL SEE TABLE				
FINISH SEE TABLE				