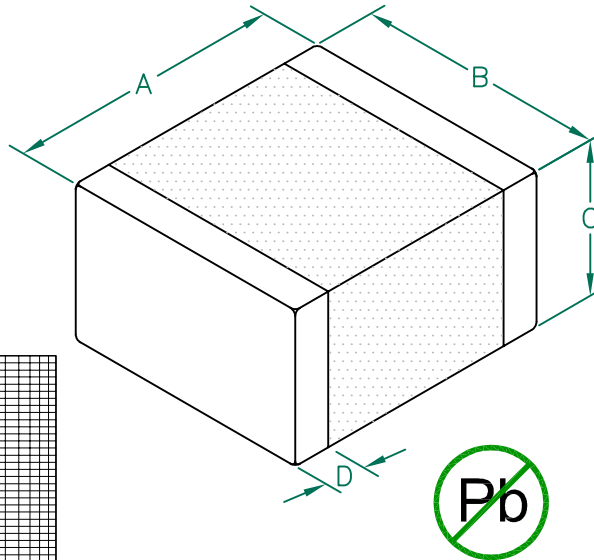


# DI2220V301R-10

**UNCONTROLLED DOCUMENT**

PHYSICAL DIMENSIONS:

A	5.59 [.220]	± 0.51 [.020]
B	5.08 [.200]	± 0.25 [.010]
C	3.61 [.142]	± 0.25 [.010]
D	0.76 [.030]	± 0.25 [.010]



ELECTRICAL CHARACTERISTICS:

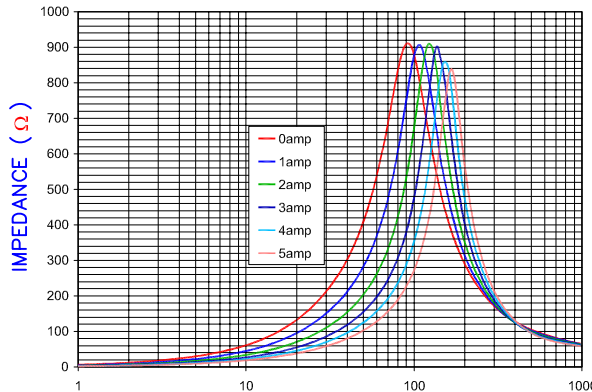
L @ 5 Amps (nH)		DCR (Ω)	Rated Current
Nominal	300		
Minimum	270		
Maximum	330	0.010	8000 mA

\* AS MEASURED IN CIRCUIT @ 2MHz

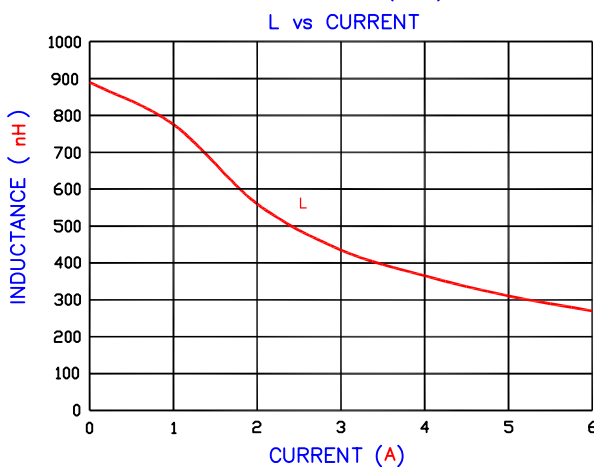
NOTES: UNLESS OTHERWISE SPECIFIED

1. TAPED AND REELED per CURRENT EIA SPECIFICATIONS 13" REELS, 2,000 PCS/REEL.
2. TERMINATION FINISH IS 100% TIN.
3. COMPONENTS SHOULD BE ADEQUATELY PREHEATED BEFORE SOLDERING.
4. U.S. PATENT 6,249,205B1 SHOULD APPEAR ON THE LABEL OF EACH REEL OF PACKAGED PARTS.
5. OPERATING TEMPERATURE TEMP: -40°C~+125°C (INCLUDING SELF-HEATING)

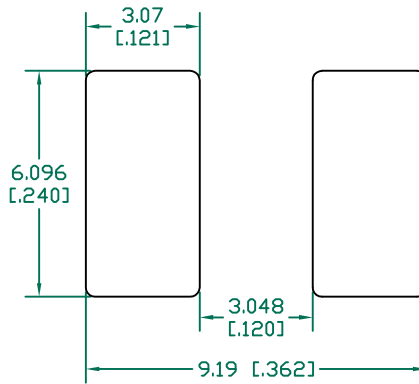
Z vs FREQUENCY  
IMPEDANCE UNDER DC BIAS



L vs CURRENT

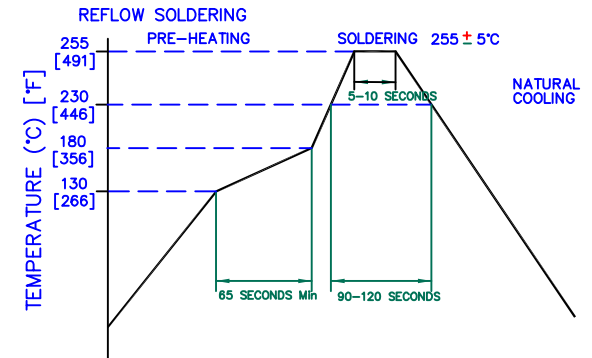


LAND PATTERNS FOR REFLOW SOLDERING



(For wave soldering, add 0.762 [.030] to this dimension.)

RECOMMENDED SOLDERING CONDITIONS



DIMENSIONS ARE IN mm [INCHES].				This print is the property of Laird Tech. and is loaned in confidence subject to return upon request and with the understanding that no copies shall be made without the written consent of Laird Tech. All rights to design or invention are reserved.		<b>Laird</b>	
D	OPERATING TEMPERATURE UPDATE LAIRD LOGO AND REFLOW CURVE	08/05/13	QU	PROJECT/PART NUMBER:	DI2220V301R-10		
C	UPDATE COMPANY LOGO	05/22/09	JRK	REV:	D	PART TYPE:	CO-FIRE
B	UPDATE COMPANY LOGO, ADD ROHS	01/10/08	JRK	DATE:	08/05/13	SCALE:	NTS
A	ORIGINAL DRAFT	04/02/04	TMB	SHEET:	2 of 2		
REV	DESCRIPTION	DATE	INT	CAD #	DI2220V301R-10-D		