

PART NUMBER
GS SERIES CHART 6

REVISION HISTORY					
REV	DOCUMENT	DESCRIPTION	CHG'D BY	DATE	APPROVED
A	0099785	INITIAL RELEASE	RH	2013-04-12	M. MARK

GSA

SEE CONDUIT
THREAD CHART

SEE BASIC SWITCH
CODE CHART

SEE OPERATING HEAD
CODE CHART

SEE ROLLER MATERIAL
CODE CHART

SEE ROLLER ORIENTATION
CODE CHART

SEE MODIFICATION
CODE CHART

CONDUIT THREAD CHART	
CODE	DESCRIPTION
A	1/2-14 NPT CONDUIT THREAD
B	PG 13.5 CONDUIT THREAD
C	M20 X 1.5 CONDUIT THREAD
D	PF 1/2 CONDUIT THREAD

BASIC SWITCH CODE CHART	
CODE	DESCRIPTION
01	S.P.D.T.-SNAP ACTION
03	S.P.D.T.-BREAK BEFORE MAKE
04	S.P.D.T.-MAKE BEFORE BREAK
06	S.P.D.T.-SLOW ACTION-2 NORMALLY CLOSED
07	S.P.D.T.-SNAP ACTION-GOLD
20	D.P.D.T.-SNAP ACTION
21	D.P.S.T.-SNAP ACTION-SEQUENTIAL
22	D.P.D.T.-SNAP ACTION-GOLD
28	D.P.S.T.-SNAP ACTION-SEQUENTIAL-GOLD
33	S.P.D.T.-BREAK BEFORE MAKE-GOLD
34	S.P.D.T.-MAKE BEFORE BREAK-GOLD
36	S.P.D.T.-SLOW ACTION-2 NORMALLY CLOSED-GOLD
40	4 NORMALLY CLOSED-SLOW ACTION
41	4 NORMALLY CLOSED-SLOW ACTION-GOLD
42	2 NORMALLY CLOSED / 1 NORMALLY OPEN-BREAK BEFORE MAKE-SLOW ACTION
43	2 NORMALLY CLOSED / 1 NORMALLY OPEN-BREAK BEFORE MAKE-SLOW ACTION-GOLD
44	2 NORMALLY CLOSED / 2 NORMALLY OPEN-BREAK BEFORE MAKE-SLOW ACTION
45	2 NORMALLY CLOSED / 2 NORMALLY OPEN-BREAK BEFORE MAKE-SLOW ACTION-GOLD
46	3 NORMALLY CLOSED / 1 NORMALLY OPEN-BREAK BEFORE MAKE-SLOW ACTION
47	3 NORMALLY CLOSED / 1 NORMALLY OPEN-BREAK BEFORE MAKE-SLOW ACTION-GOLD

OPERATING HEAD CODE CHART	
CODE	DESCRIPTION
A1	SIDE ROTARY, FIXED LENGTH LEVER
A5	SIDE ROTARY, OFFSET LEVER
B	TOP PIN PLUNGER
C	TOP ROLLER PLUNGER
D	TOP ROLLER LEVER
R	TOP ROLLER BALL

ROLLER MATERIAL CODE CHART	
CODE	DESCRIPTION
NONE	NO ROLLER
A	PLASTIC ROLLER
B	METAL ROLLER

ROLLER ORIENTATION CODE CHART	
CODE	DESCRIPTION
BLANK	BLANK = STANDARD ORIENTATION-ROLLER PARALLEL TO MOUNTING SURFACE, SWITCHING IN BOTH DIRECTIONS
1	SWITCHING CLOCKWISE ROTATION ONLY
2	SWITCHING COUNTER CLOCKWISE ROTATION ONLY
3	LEVER ON RIGHT
4	LEVER ON LEFT
5	LEVER TO MOUNTING SURFACE
6	HEAD ORIENTED WITH ROLLER PERPENDICULAR TO MOUNTING SURFACE

MODIFICATION CODE CHART	
CODE	DESCRIPTION
C02	PRE-LEADED CABLE, 5 CONDUCTORS WITH GROUND. LAST CHARACTER IS CABLE LENGTH IN METERS. CABLE LENGTHS AVAILABLE IN 1 TO 9 METERS
Q01	CONNECTOR, 4 PIN MICRO-CHANGE
Q02	CONNECTOR, 5 PIN M12
Q03	CONNECTOR, 4 PIN MINI-CHANGE
Q04	CONNECTOR, 5 PIN MINI-CHANGE

NOTES:

- RED EPOXY PAINT FINISHED ZINC DIE-CAST BODY AND STEEL COVER.
BLACK EPOXY PAINT FINISHED ZINC DIE-CAST HEAD.
- FREE POSITION (F.P.), OPERATING POINT, OVERTRAVEL (O.T.) AND PRE TRAVEL ALL TO EN50041.
- ANY STANDARD LISTING WITH SUFFIX "RS" OR "FE" IS PERMITTED.
- LEVERS MAY BE ATTACHED TO THE SHAFT AT 90° INCREMENTS. THEY MAY ALSO BE ATTACHED, BUT NOT KEYPED, ANYWHERE ON THE SHAFT FOR OPERATING HEAD CODES A1 AND A5
- DIMENSIONS ARE SHOWN AS MILLIMETERS OVER INCHES. INCH VALUES ARE SHOWN FOR REFERENCE ONLY.

- ⚠ TEMPERATURE RANGE:
(ALL PRODUCT EXCEPT WITH SIDE ROTARY OPERATING HEAD)
OPERATING: -25°C TO +85°C / -13°F TO +185°F
STORAGE: -40°C TO +85°C / -40°F TO +185°F
(PRODUCTS WITH SIDE ROTARY OPERATING HEAD)
OPERATING: -40°C TO +85°C / -40°F TO +185°F
STORAGE: -40°C TO +85°C / -40°F TO +185°F

IEC 947-5-1 ELECTRICAL RATING				ENVIRONMENTAL		APPROVALS	
SILVER CONTACTS			GOLD PLATED CONTACTS		IP67 NEMA 1, 4, 12, 13		
AC	AC (FOR 2 NC)	DC	1th = 10A		TEMP RANGE:		
A600 AC15 Ue Ie	A300 AC15 Ue Ie	Q300 DC13 Ue Ie	IV 10µA MIN		STORAGE:		
VOLTS AMPS 120 6 240 3	VOLTS AMPS 120 6 240 3	VOLTS AMPS 24 2.8 125 0.55 250 0.27	50V 100mA MAX		SHOCK : 50G PER IEC 68-2-27 VIBRATION : 10G PER IEC 68-2-6		
380 1.9 480 1.5 500 1.4 600 1.2					IEC 60947-5-1 EN50041		

UNLESS OTHERWISE SPECIFIED	THIRD ANGLE PROJECTION
DIMENSIONS ARE IN MM	
DECIMAL TOL	
NO PLACE ... ±0.5	
1 PLACE ... ±0.3	
2 PLACE ... ±0.15	
3 PLACE ... ±0.05	
ANGULAR TOL - ±° CHAMFER - ±°	
MATERIAL	
FINISH	
APPLICABLE DOCUMENTS: ASME Y14.100-2004 ASME Y14.5-2009	
COMPUTER GENERATED DRAWING: PRO/ENGINEER	

Honeywell					
SWITCH LIMIT					
SIZE	CAGE CODE	DWG NO	TYPE	REV	
A1	91929	GS SERIES CHART 1	I	A	
SCALE	NONE	REF WT:	SHEET 1 of 7		
RELEASE DATE	2013-04-12	HONEYWELL CONFIDENTIAL			
DRW: H. RAVIKIRAN	2013-02-28	THIS DOCUMENT CONTAINS PROPRIETARY INFORMATION AND SUCH INFORMATION MAY NOT BE DISCLOSED TO OTHERS FOR ANY PURPOSE, NOR USED FOR MANUFACTURING FROM HONEYWELL			
RDE: M. MARK	2013-02-28				
DA: -	-				
CHR: M. MARK	2013-02-28				

BASIC SWITCH CODE	CONTACT BLOCK DIAGRAM
01 07	SNAP ACTION SINGLE POLE
03 33	SLOW ACTION BREAK BEFORE MAKE
04 34	SLOW ACTION MAKE BEFORE BREAK
06 36	SLOW ACTION 2 NORMALLY CLOSED
20 22	SNAP ACTION DOUBLE POLE
21 28	SNAP ACTION DOUBLE POLE STEP 1 STEP 2

CAM ACTUATION PER EN50041		OPERATING FORCE MAX	DISCONNECT FORCE MAX
NOMINAL TRAVELS AND RELATED TERMINALS		N	N
-CONTACT CLOSED -CONTACT OPEN -CONTACT CLOSED		lbs	lbs
DIFFERENTIAL TRAVEL..** POSITIVE OPENING TO IEC 947-5-1			
DIMENSIONS IN mm			
→		9.7	11.4
→		9.7	11.4
→		9.7	11.4
→		9.7	11.4
→		9.7	11.8
→		9.7	N/A

ANGULAR ACTUATION		OPERATING TORQUE MAX	DISCONNECT TORQUE MAX
NOMINAL TRAVELS AND RELATED TERMINALS		Nmm	Nmm
-CONTACT CLOSED -CONTACT OPEN -CONTACT CLOSED		in. lbs	in. lbs
DIFFERENTIAL TRAVEL..** POSITIVE OPENING TO IEC 947-5-1			
DIMENSIONS IN mm			
→		.330	.385
→		.330	.385
→		.330	.385
→		.330	.385
→		.330	.400
→		.330	N/A

40 41	SLOW ACTION 4 NORMALLY CLOSED
42 43	SLOW ACTION 2 NORMALLY CLOSED / 1 NORMALLY OPEN BREAK BEFORE MAKE
44 45	SLOW ACTION 2 NORMALLY CLOSED / 2 NORMALLY OPEN BREAK BEFORE MAKE
46 47	SLOW ACTION 3 NORMALLY CLOSED / 1 NORMALLY OPEN BREAK BEFORE MAKE

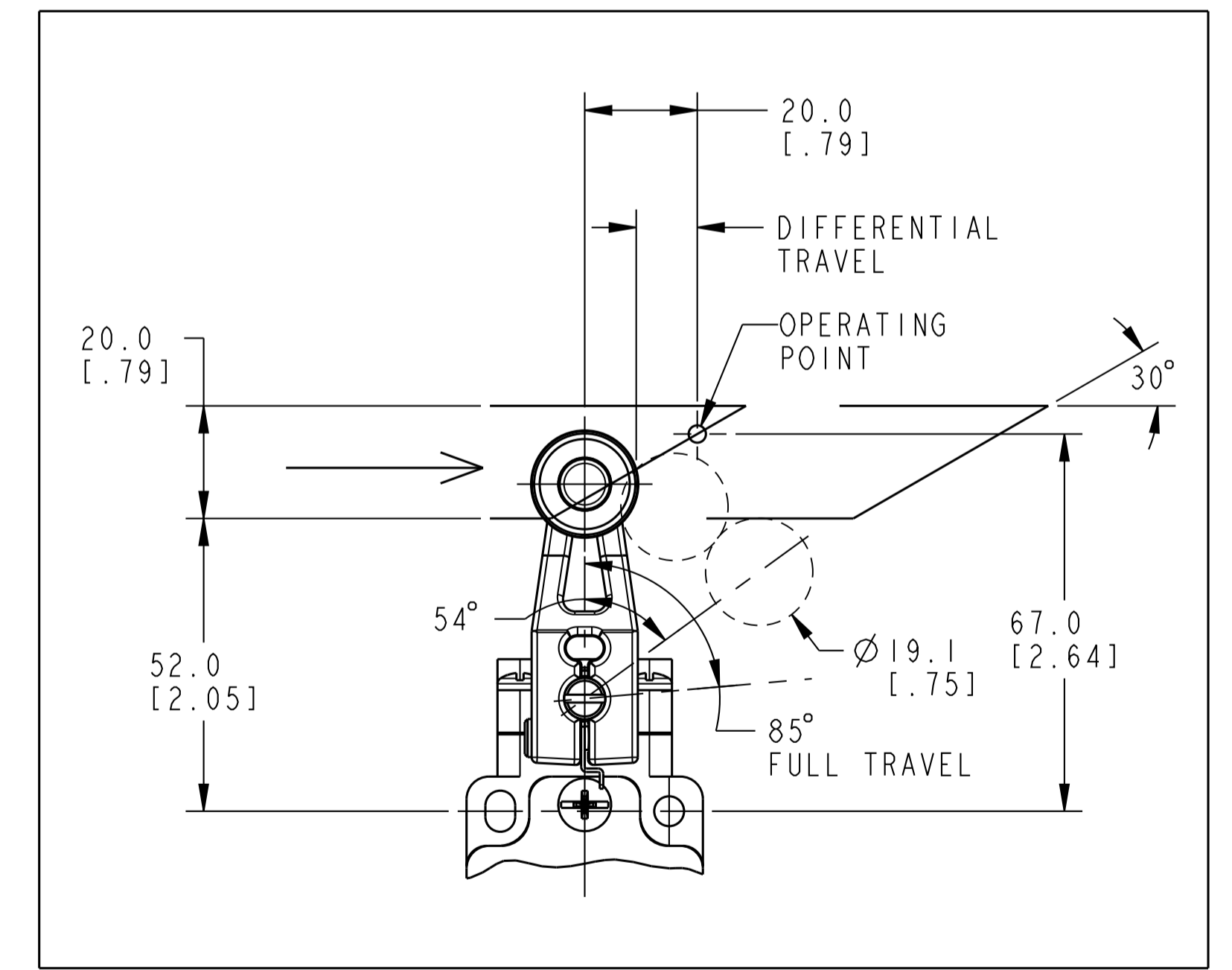
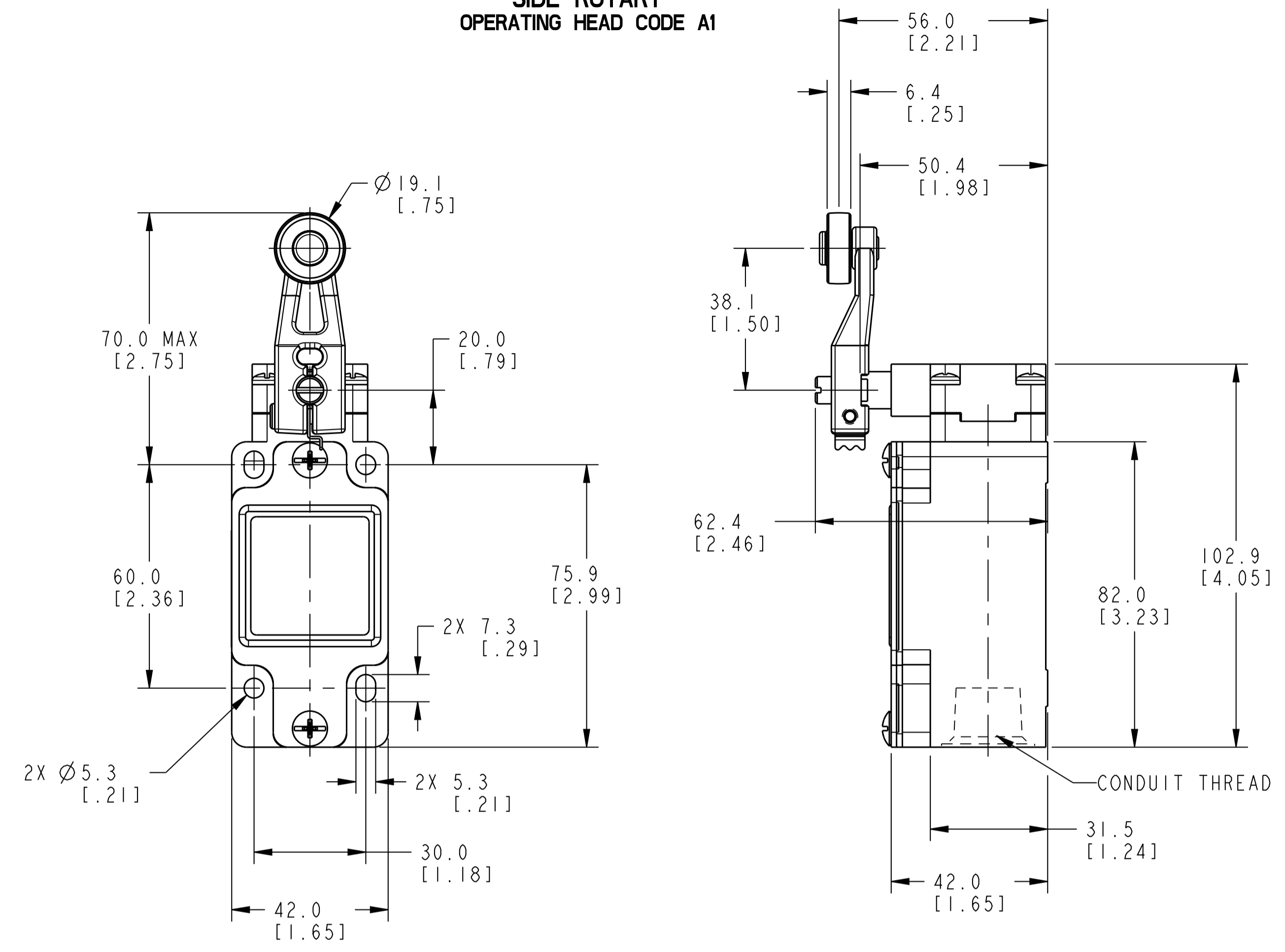
→		9.7	11.4
→		9.7	11.4
→		9.7	11.4
→		9.7	11.4

→		.330	.385
→		.330	.385
→		.330	.385
→		.330	.385

MIN. OPERATING VELOCITY = 8.5mm/S (0.33in/S)
 MAX. OPERATING VELOCITY = 0.85M/S (33.5in/S)
 MAX. OPERATING FREQUENCY = 250 OPS/MINUTE

MIN. OPERATING ACTUATION = 13°/SECOND
 MAX. OPERATING ACTUATION = 1290°/SECOND
 MAX. OPERATING FREQUENCY = 250 OPS/MINUTE

SIDE ROTARY OPERATING HEAD CODE AI



Honeywell				
TITLE SWITCH LIMIT				
SIZE AI	CAGE CODE 91929	DWG NO GS SERIES CHART 1	TYPE I	REV A
SCALE 1:1	REF WT:	SHEET 2 of 7		

PART NUMBER
GS SERIES CHART 6

BASIC SWITCH CODE	CONTACT BLOCK DIAGRAM
01 07	SNAP ACTION SINGLE POLE
03 33	SLOW ACTION BREAK BEFORE MAKE
04 34	SLOW ACTION MAKE BEFORE BREAK
06 36	SLOW ACTION 2 NORMALLY CLOSED
20 22	SNAP ACTION DOUBLE POLE
21 28	SNAP ACTION DOUBLE POLE STEP 1 STEP 2

CAM ACTUATION PER EN50041		OPERATING FORCE MAX	DISCONNECT FORCE MAX
NOMINAL TRAVELS AND RELATED TERMINALS		N	N
-CONTACT CLOSED -CONTACT OPEN -CONTACT CLOSED		lbs	lbs
DIFFERENTIAL TRAVEL, ** POSITIVE OPENING TO IEC 947-5-1 DIMENSIONS IN mm			
→		9.7 / 2.2	11.4 / 2.6
→		9.7 / 2.2	11.4 / 2.6
→		9.7 / 2.2	11.4 / 2.6
→		9.7 / 2.2	11.4 / 2.6
→		9.7 / 2.2	11.8 / 2.7
→		9.7 / 2.2	N/A

ANGULAR ACTUATION		OPERATING TORQUE MAX	DISCONNECT TORQUE MAX
NOMINAL TRAVELS AND RELATED TERMINALS		Nmm	Nmm
-CONTACT CLOSED -CONTACT OPEN -CONTACT CLOSED		in. lbs	in. lbs
DIFFERENTIAL TRAVEL, ** POSITIVE OPENING TO IEC 947-5-1 DIMENSIONS IN mm			
→		.330 / 2.9	.385 / 3.4
→		.330 / 2.9	.385 / 3.4
→		.330 / 2.9	.385 / 3.4
→		.330 / 2.9	.385 / 3.4
→		.330 / 2.9	.400 / 3.5
→		.330 / 2.9	N/A

40 41	SLOW ACTION 4 NORMALLY CLOSED
42 43	SLOW ACTION 2 NORMALLY CLOSED / 1 NORMALLY OPEN BREAK BEFORE MAKE
44 45	SLOW ACTION 2 NORMALLY CLOSED / 2 NORMALLY OPEN BREAK BEFORE MAKE
46 47	SLOW ACTION 3 NORMALLY CLOSED / 1 NORMALLY OPEN BREAK BEFORE MAKE

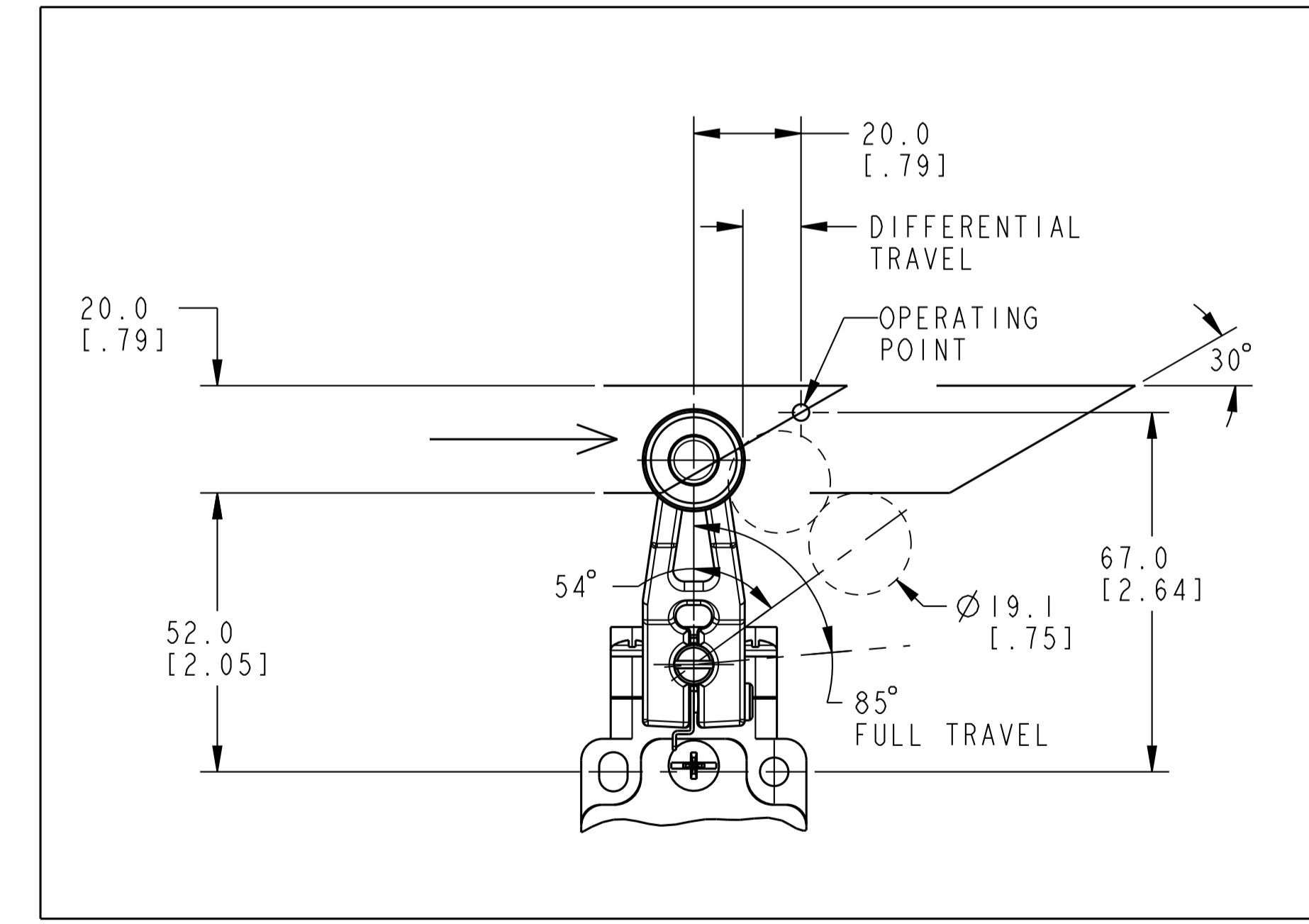
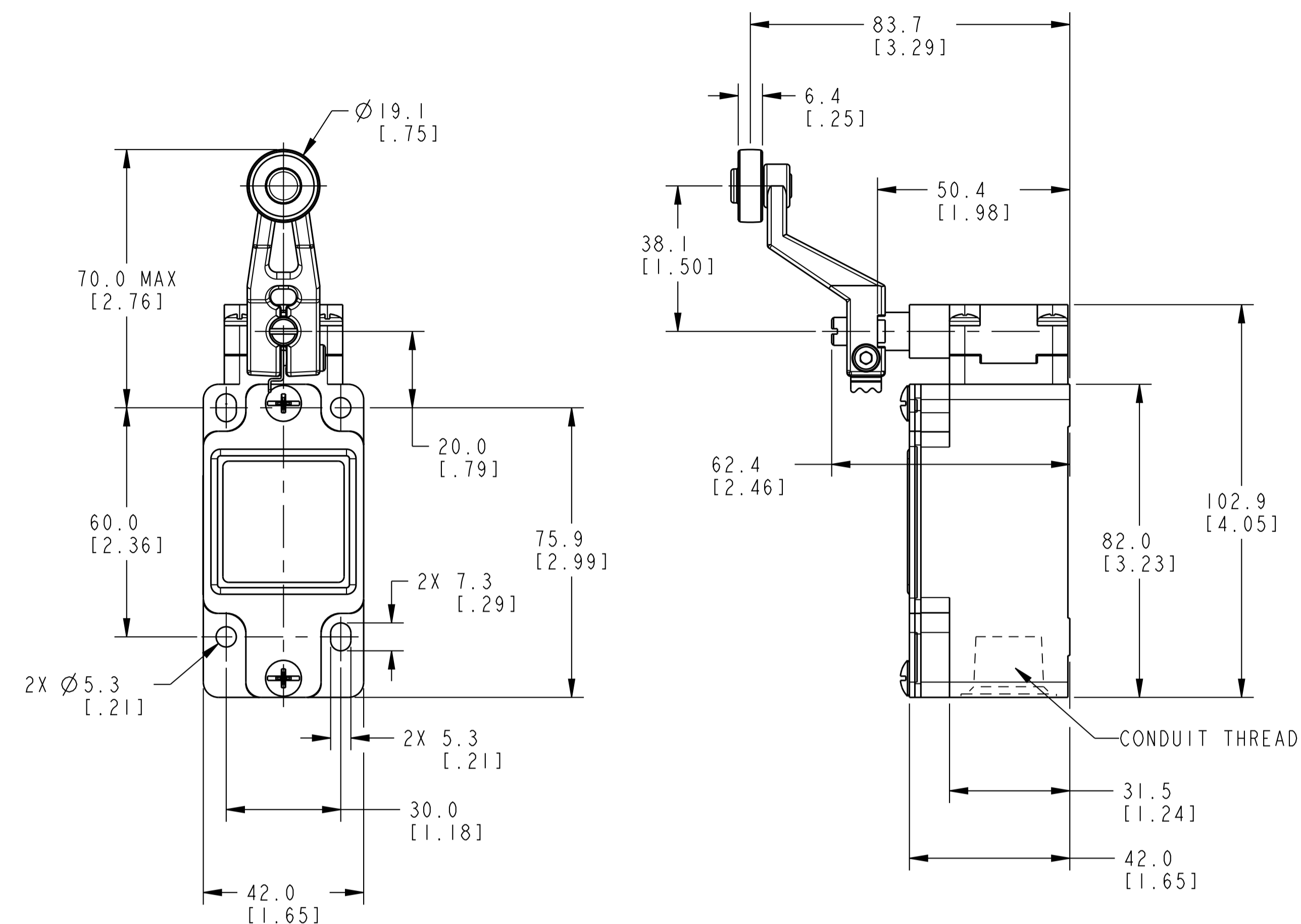
→		9.7 / 2.2	11.4 / 2.6
→		9.7 / 2.2	11.4 / 2.6
→		9.7 / 2.2	11.4 / 2.6
→		9.7 / 2.2	11.4 / 2.6

→		.330 / 2.9	.385 / 3.4
→		.330 / 2.9	.385 / 3.4
→		.330 / 2.9	.385 / 3.4
→		.330 / 2.9	.385 / 3.4

MIN. OPERATING VELOCITY = 8.5mm/S (0.33in/S)
MAX. OPERATING VELOCITY = 0.85M/S (33.5in/S)
MAX. OPERATING FREQUENCY = 250 OPS/MINUTE

MIN. OPERATING ACTUATION = 13°/SECOND
MAX. OPERATING ACTUATION = 1290°/SECOND
MAX. OPERATING FREQUENCY = 250 OPS/MINUTE

SIDE ROTARY OPERATING HEAD CODE A5



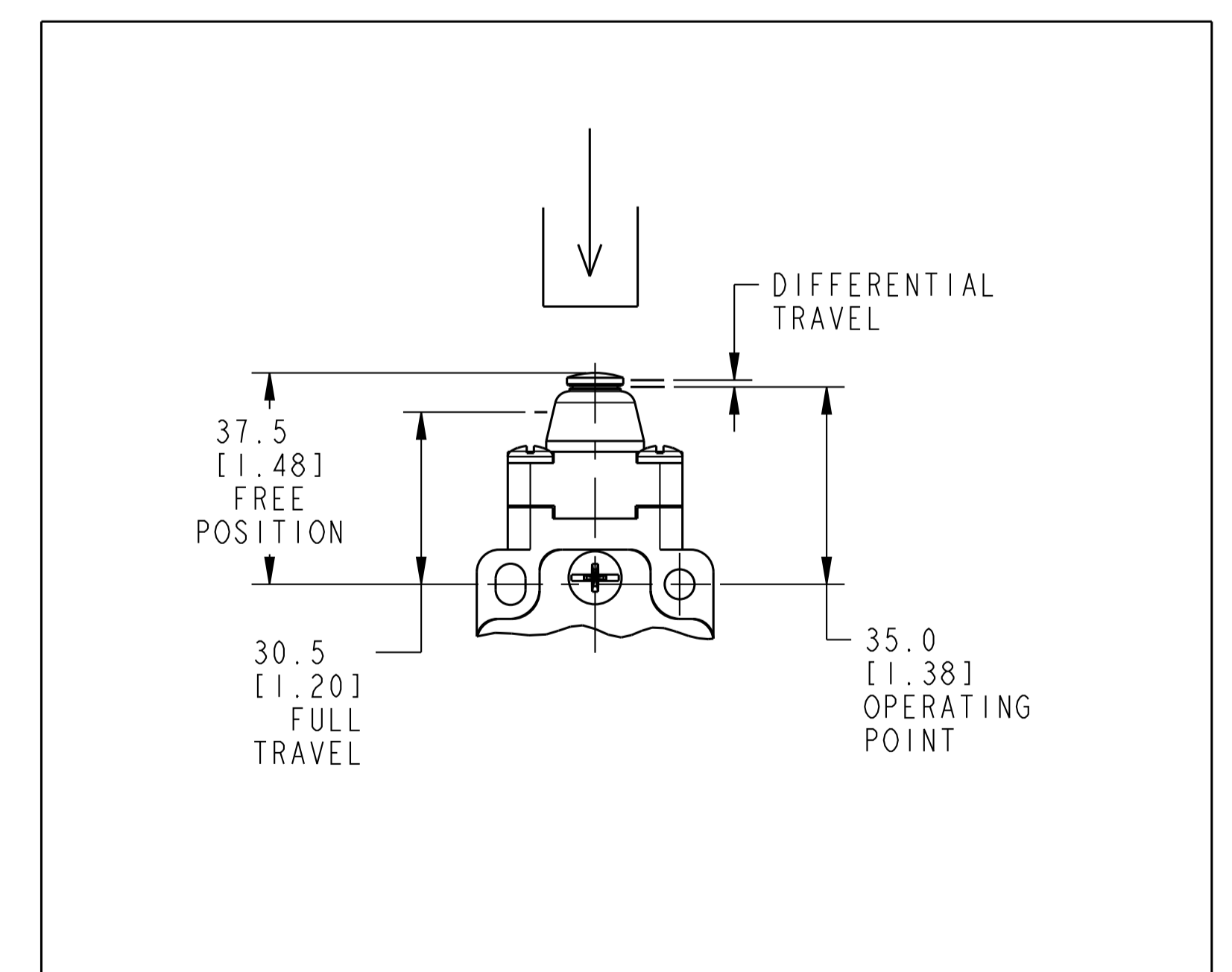
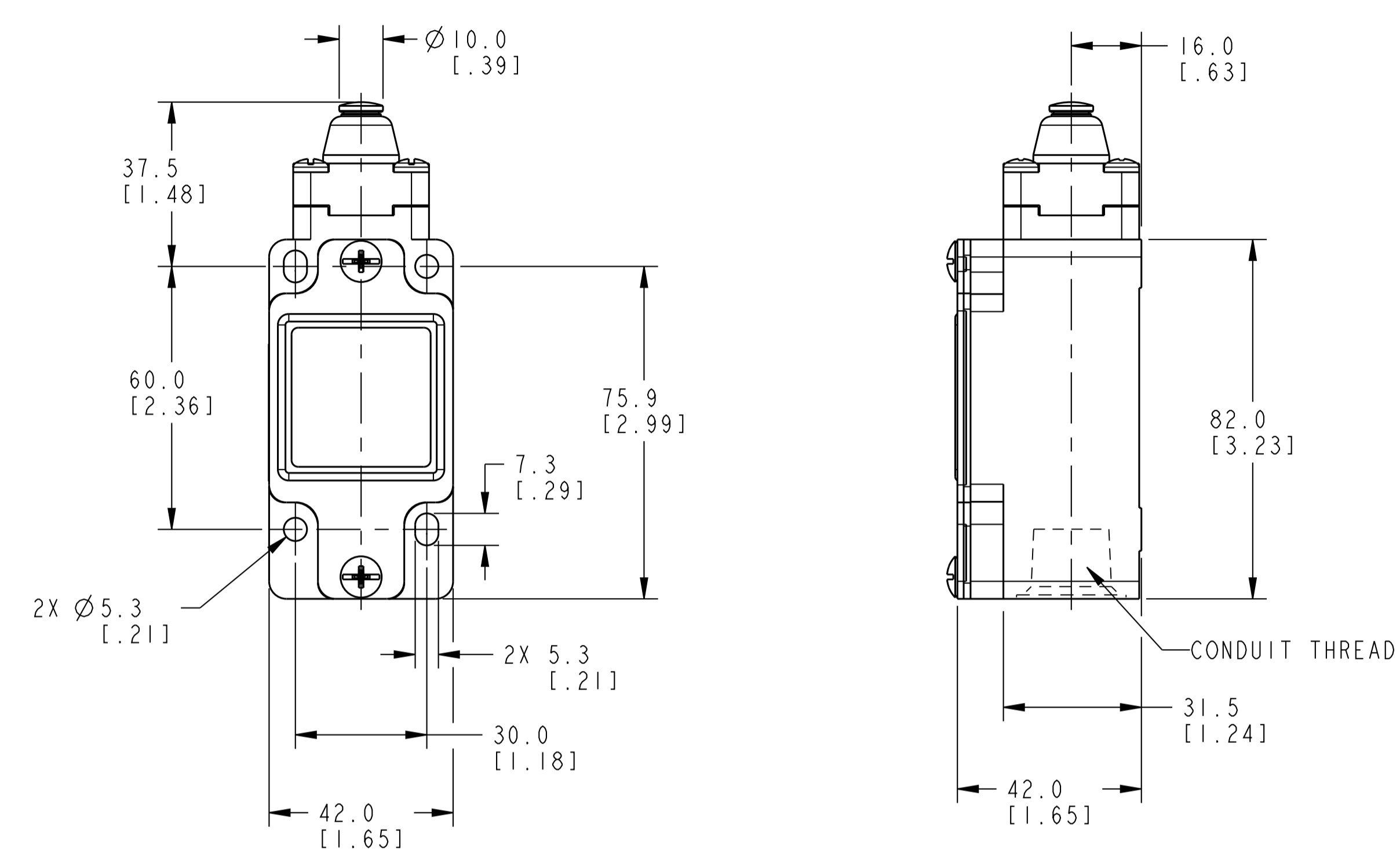
Honeywell				
TITLE SWITCH LIMIT				
SIZE A1	CAGE CODE 91929	DWG NO GS SERIES CHART 1	TYPE I	REV A
SCALE 1:1	REF WT:	SHEET 3 of 7		

PART NUMBER
GS SERIES CHART 6

BASIC SWITCH CODE	CONTACT BLOCK DIAGRAM	PIN ACTUATION	
		NOMINAL TRAVELS AND RELATED TERMINALS <small>■ CONTACT CLOSED □ CONTACT OPEN ▨ CONTACT CLOSED DIFFERENTIAL TRAVEL, ** POSITIVE OPENING TO IEC 947-5-1 DIMENSIONS IN mm</small>	OPERATING FORCE MAX N lbs
01 07	SNAP ACTION SINGLE POLE 		16 / 3.6 27 / 6.0
03 33	SLOW ACTION BREAK BEFORE MAKE 		16 / 3.6 27 / 6.0
04 34	SLOW ACTION MAKE BEFORE BREAK 		16 / 3.6 27 / 6.0
06 36	SLOW ACTION 2 NORMALLY CLOSED 		16 / 3.6 27 / 6.0
20 22	SNAP ACTION DOUBLE POLE 		16 / 3.6 37 / 8.2
21 28	SNAP ACTION DOUBLE POLE 		16 / 3.6 27 / 6.0
40 41	SLOW ACTION 4 NORMALLY CLOSED 		16 / 3.6 27 / 6.0
42 43	SLOW ACTION 2 NORMALLY CLOSED / 1 NORMALLY OPEN BREAK BEFORE MAKE 		16 / 3.6 27 / 6.0
44 45	SLOW ACTION 2 NORMALLY CLOSED / 2 NORMALLY OPEN BREAK BEFORE MAKE 		16 / 3.6 27 / 6.0
46 47	SLOW ACTION 3 NORMALLY CLOSED / 1 NORMALLY OPEN BREAK BEFORE MAKE 		16 / 3.6 27 / 6.0

MIN. OPERATING VELOCITY = 1.0mm/S (0.04in/S)
 MAX. OPERATING VELOCITY = 0.1M/S (3.9in/S)
 MAX. OPERATING FREQUENCY = 250 OPS/MINUTE

TOP PIN PLUNGER
OPERATING HEAD CODE B



Honeywell				
TITLE SWITCH LIMIT				
SIZE A1	CAGE CODE 91929	DWG NO GS SERIES CHART 1	TYPE I	REV A
SCALE 1:1	REF WT:	SHEET 4 of 7		

PART NUMBER
GS SERIES CHART 6

BASIC SWITCH CODE	CONTACT BLOCK DIAGRAM
01 07	SNAP ACTION SINGLE POLE
03 33	SLOW ACTION BREAK BEFORE MAKE
04 34	SLOW ACTION MAKE BEFORE BREAK
06 36	SLOW ACTION 2 NORMALLY CLOSED
20 22	SNAP ACTION DOUBLE POLE
21 28	SNAP ACTION DOUBLE POLE STEP 1 STEP 2

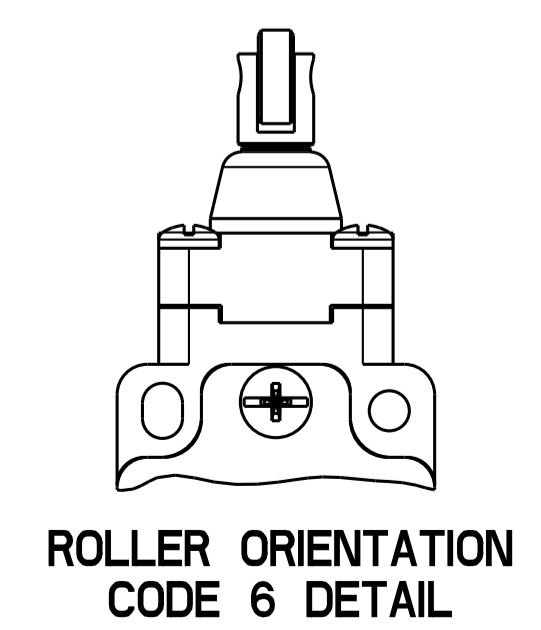
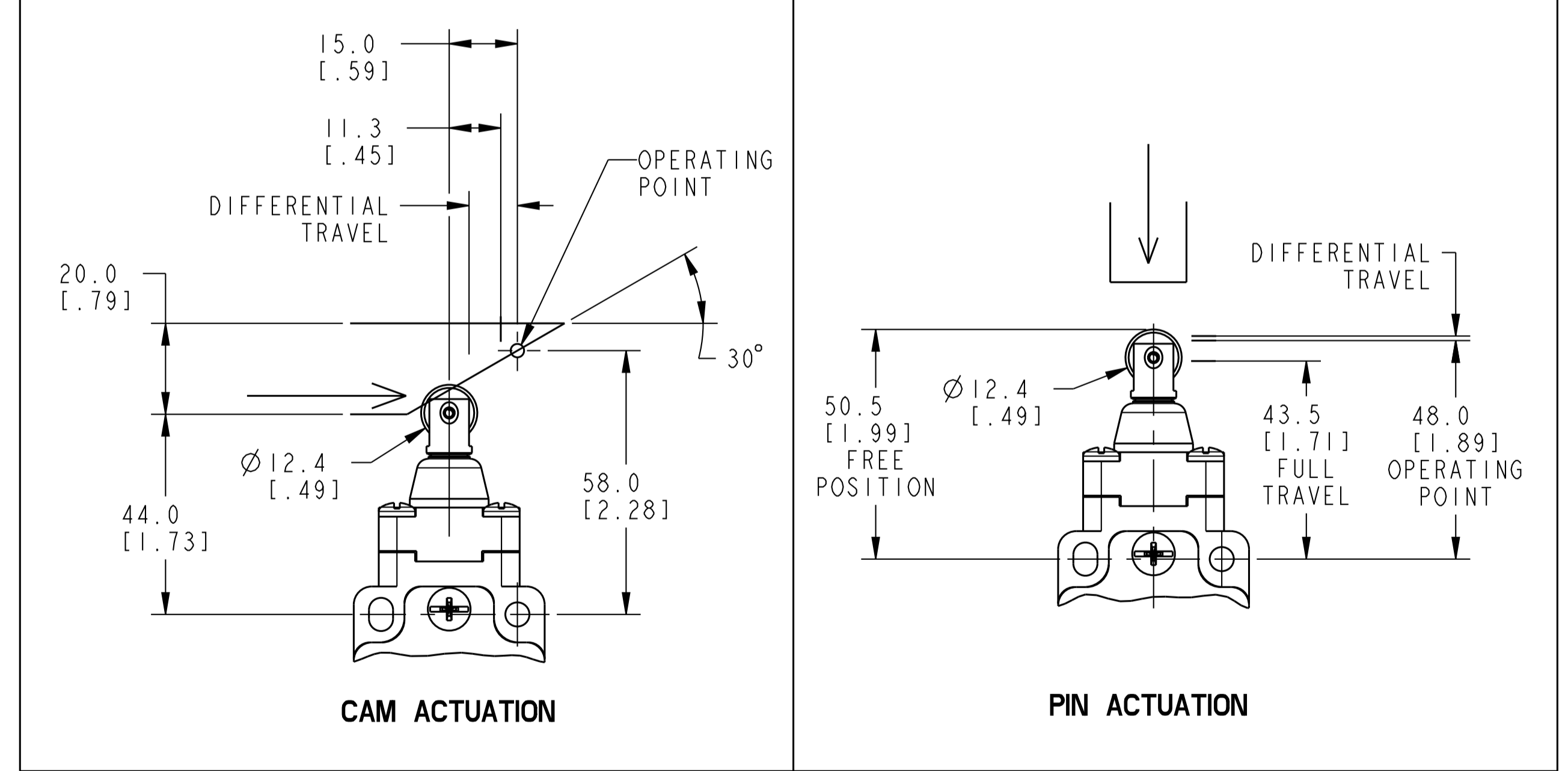
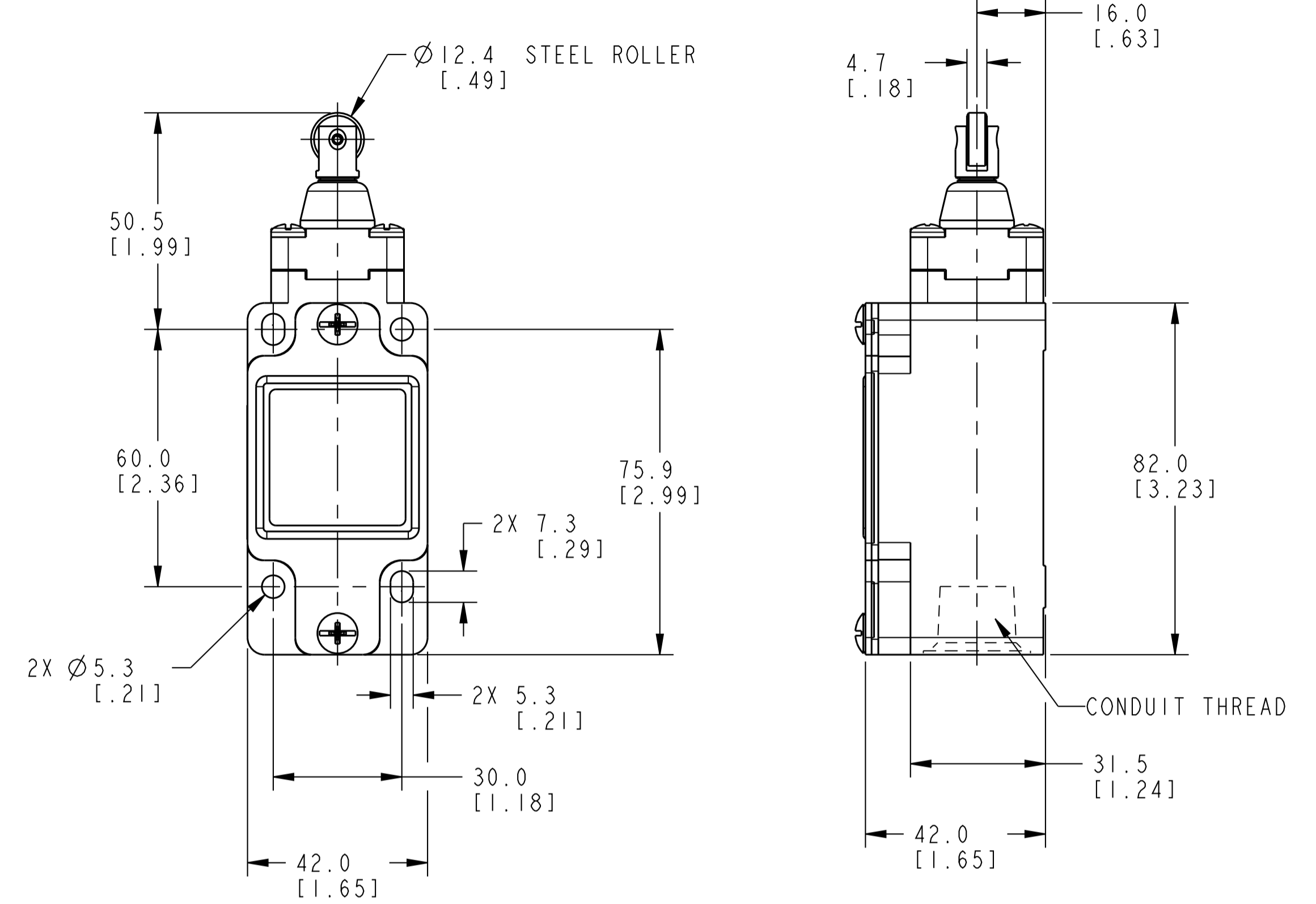
CAM ACTUATION PER EN50041		OPERATING FORCE MAX N	DISCONNECT FORCE MAX N
		9.3	15.6
		9.3	15.6
		9.3	15.6
		9.3	15.6
		9.3	21.4
		9.3	15.6

PIN ACTUATION		OPERATING FORCE MAX N	DISCONNECT FORCE MAX N
		16	27
		16	27
		16	27
		16	27
		16	37
		16	27

MIN. OPERATING VELOCITY = 1.7mm/S (0.067in/S)
MAX. OPERATING VELOCITY = 0.17M/S (6.7in/S)
MAX. OPERATING FREQUENCY = 250 OPS/MINUTE

MIN. OPERATING VELOCITY = 1.0mm/S (0.04in/S)
MAX. OPERATING VELOCITY = 0.1M/S (3.9in/S)
MAX. OPERATING FREQUENCY = 250 OPS/MINUTE

TOP PIN PLUNGER OPERATING HEAD CODE C



ROLLER ORIENTATION CODE 6 DETAIL

Honeywell				
SWITCH LIMIT				
SIZE	CAGE CODE	DWG NO	TYPE	REV
A1	91929	GS SERIES CHART 1	I	A
SCALE	REF WT:		SHEET 5 of 7	

PART NUMBER
GS SERIES CHART 6

BASIC SWITCH CODE	CONTACT BLOCK DIAGRAM
01 07	SNAP ACTION SINGLE POLE
03 33	SLOW ACTION BREAK BEFORE MAKE
04 34	SLOW ACTION MAKE BEFORE BREAK
06 36	SLOW ACTION 2 NORMALLY CLOSED
20 22	SNAP ACTION DOUBLE POLE
21 28	SNAP ACTION DOUBLE POLE STEP 1 STEP 2

CAM ACTUATION PER EN50041		OPERATING FORCE MAX N	DISCONNECT FORCE MAX N
	9.1 FP 20 29.1** 21-22 13-14 ← 4.1 DIFFERENTIAL TRAVEL	5.5 1.2	7.0 1.6
	9.1 FP 20 29.1** 21-22 13-14 24.1	5.5 1.2	7.0 1.6
	9.1 FP 24.1 33.2** 21-22 13-14 20	5.5 1.2	7.0 1.6
	9.1 FP 20 29.1** 21-22 11-12	5.5 1.2	7.0 1.6
	9.1 FP 20 29.1** 11-12, 21-22 13-14, 23-24 ← 4.1 DIFFERENTIAL TRAVEL	5.5 1.2	9.6 2.2
	9.1 FP 20 29.1** 11-12 13-14 21-22 23-24 ← 3.7 DIFFERENTIAL TRAVEL 25.5 31.1** ← 3.7 DIFFERENTIAL TRAVEL	5.5 1.2	7.0 1.6

PIN ACTUATION		OPERATING FORCE MAX N	DISCONNECT FORCE MAX N
	65.2 FP 61 56.9** 52 OT 21-22 13-14 ← 1.7 DIFFERENTIAL TRAVEL	9.5 2.1	12 2.7
	65.2 FP 61 56.9** 52 O.T. 21-22 13-14 59.1	9.5 2.1	12 2.7
	65.2 FP 59.1 55** 52 OT 21-22 13-14 61	9.5 2.1	12 2.7
	65.2 FP 61 56.9** 52 OT 21-22 11-12	9.5 2.1	12 2.7
	65.2 FP 61 56.9** 52 OT 11-12, 21-22 13-14, 23-24 ← 1.7 DIFFERENTIAL TRAVEL	9.5 2.1	16.4 3.7
	65.2 FP 61 58** 62 OT 11-12 13-14 21-22 23-24 ← 1.6 DIFFERENTIAL TRAVEL 58.6 57.4** ← 1.6 DIFFERENTIAL TRAVEL	9.5 2.1	12 2.7

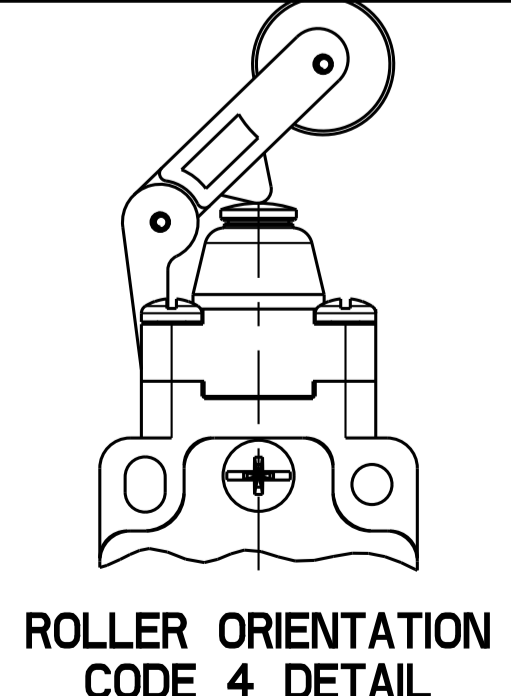
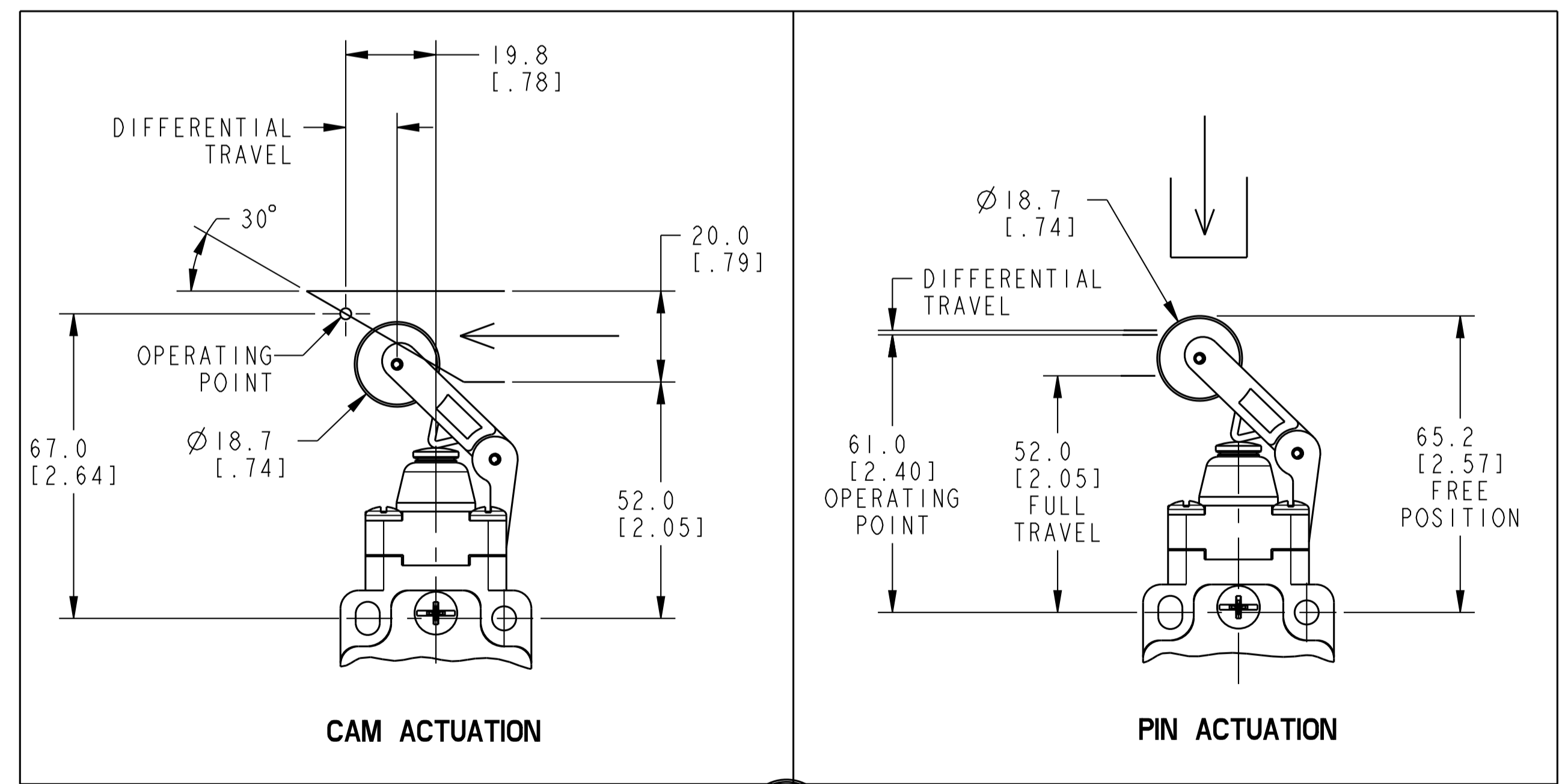
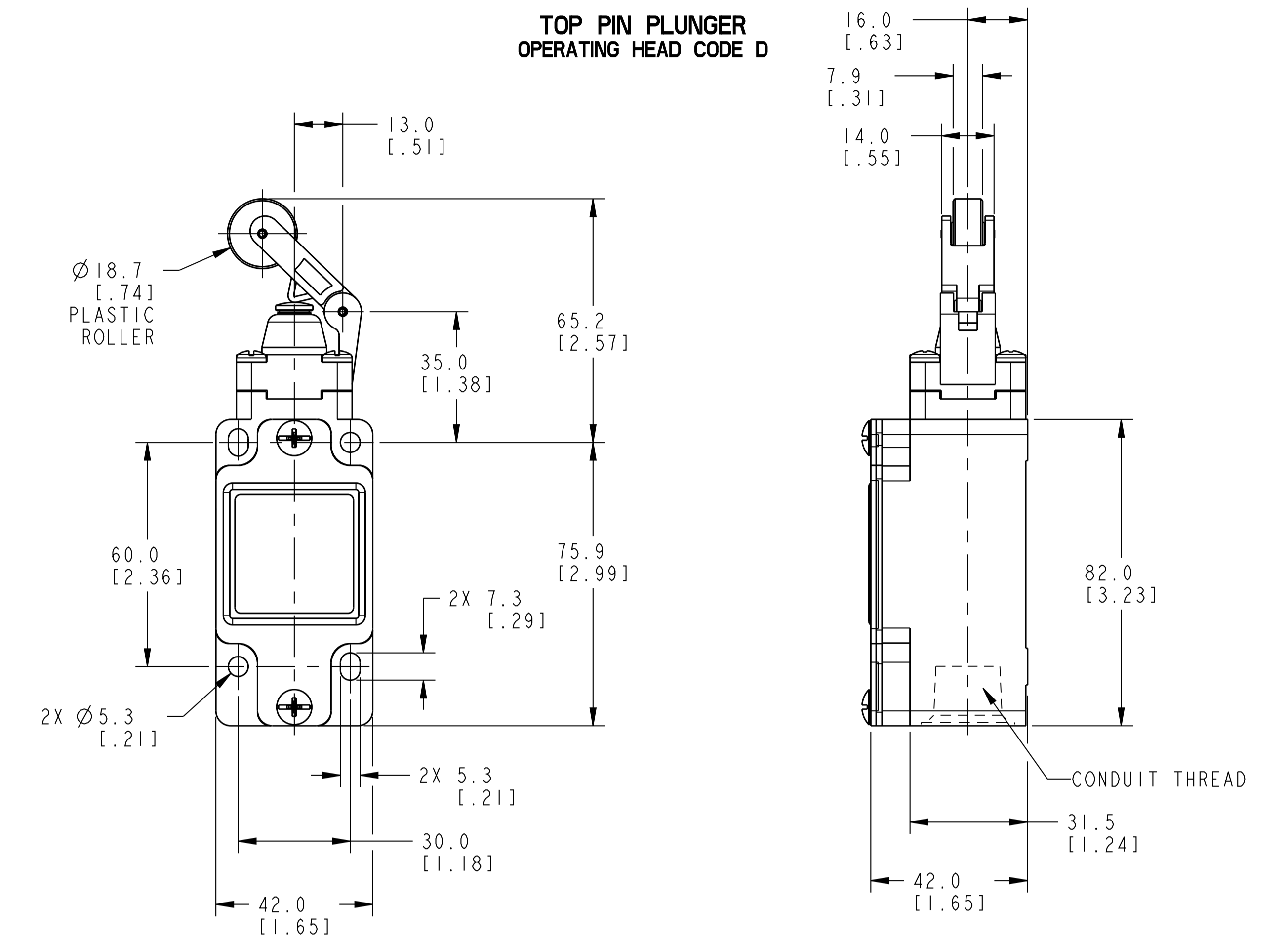
40 41	SLOW ACTION 4 NORMALLY CLOSED
42 43	SLOW ACTION 2 NORMALLY CLOSED / 1 NORMALLY OPEN BREAK BEFORE MAKE
44 45	SLOW ACTION 2 NORMALLY CLOSED / 2 NORMALLY OPEN BREAK BEFORE MAKE
46 47	SLOW ACTION 3 NORMALLY CLOSED / 1 NORMALLY OPEN BREAK BEFORE MAKE

	9.1 FP 20 29.1** 11-12 21-22 31-32 41-42	5.5 1.2	7.0 1.6
	9.1 FP 20 29.1** 11-12 21-22 33-34	5.5 1.2	7.0 1.6
	9.1 FP 20 29.1** 11-12 21-22 33-34 43-44	5.5 1.2	7.0 1.6
	9.1 FP 20 29.1** 11-12 21-22 31-32 43-44	5.5 1.2	7.0 1.6

	65.2 FP 61 56.9** 52 OT 11-12 21-22 31-32 41-42	9.5 2.1	12 2.7
	65.2 FP 61 56.9** 52 OT 11-12 21-22 33-34	9.5 2.1	12 2.7
	65.2 FP 61 56.9** 52 OT 11-12 21-22 33-34 43-44	9.5 2.1	12 2.7
	65.2 FP 61 56.9** 52 OT 11-12 21-22 31-32 43-44	9.5 2.1	12 2.7

MIN. OPERATING VELOCITY = 2.9mm/S (0.11in/S)
MAX. OPERATING VELOCITY = 0.29M/S (11.4in/S)
MAX. OPERATING FREQUENCY = 250 OPS/MINUTE

MIN. OPERATING VELOCITY = 1.7mm/S(0.67in/S)
MAX. OPERATING VELOCITY = 0.17M/S (6.7in/S)
MAX. OPERATING FREQUENCY = 250 OPS/MINUTE



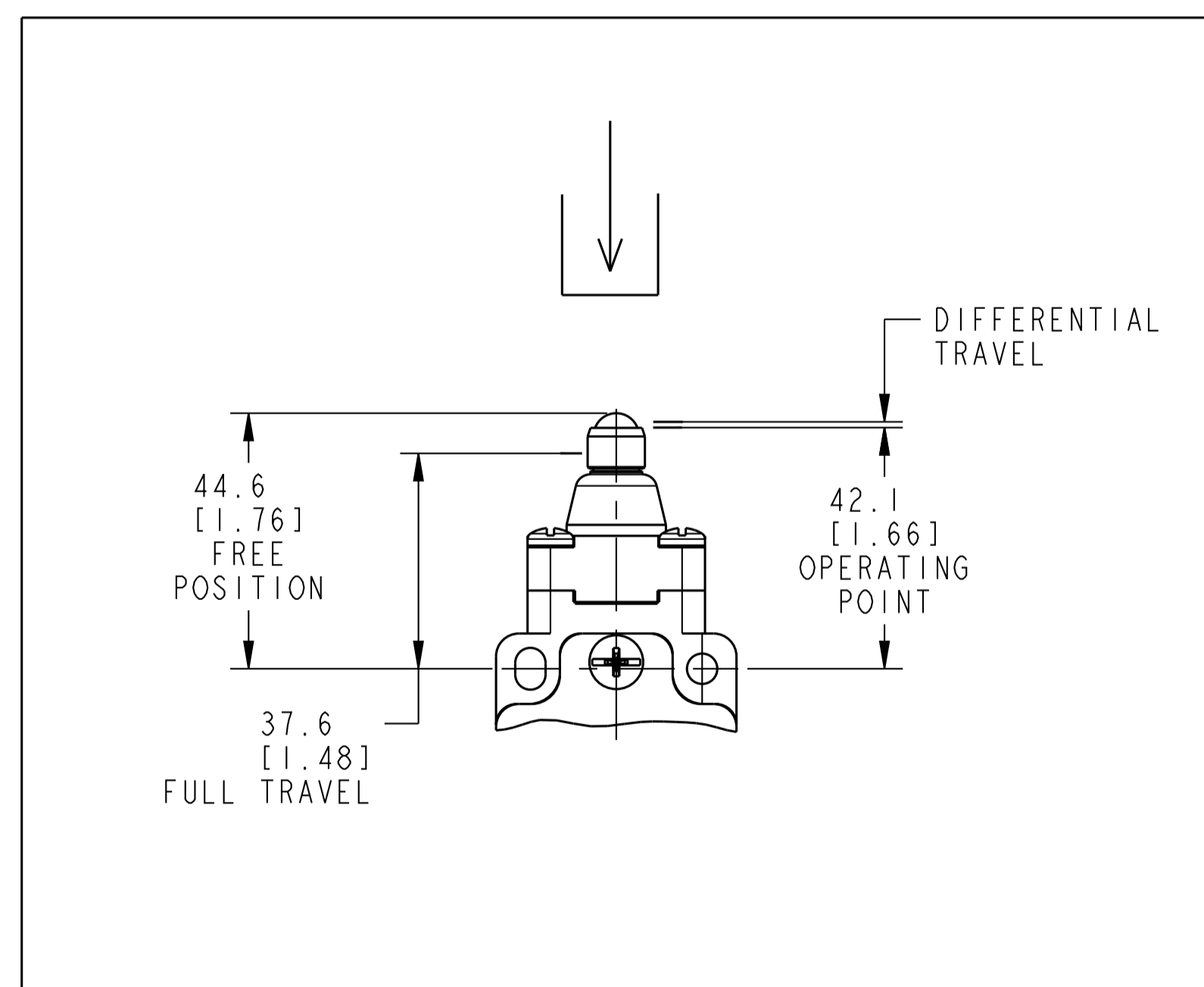
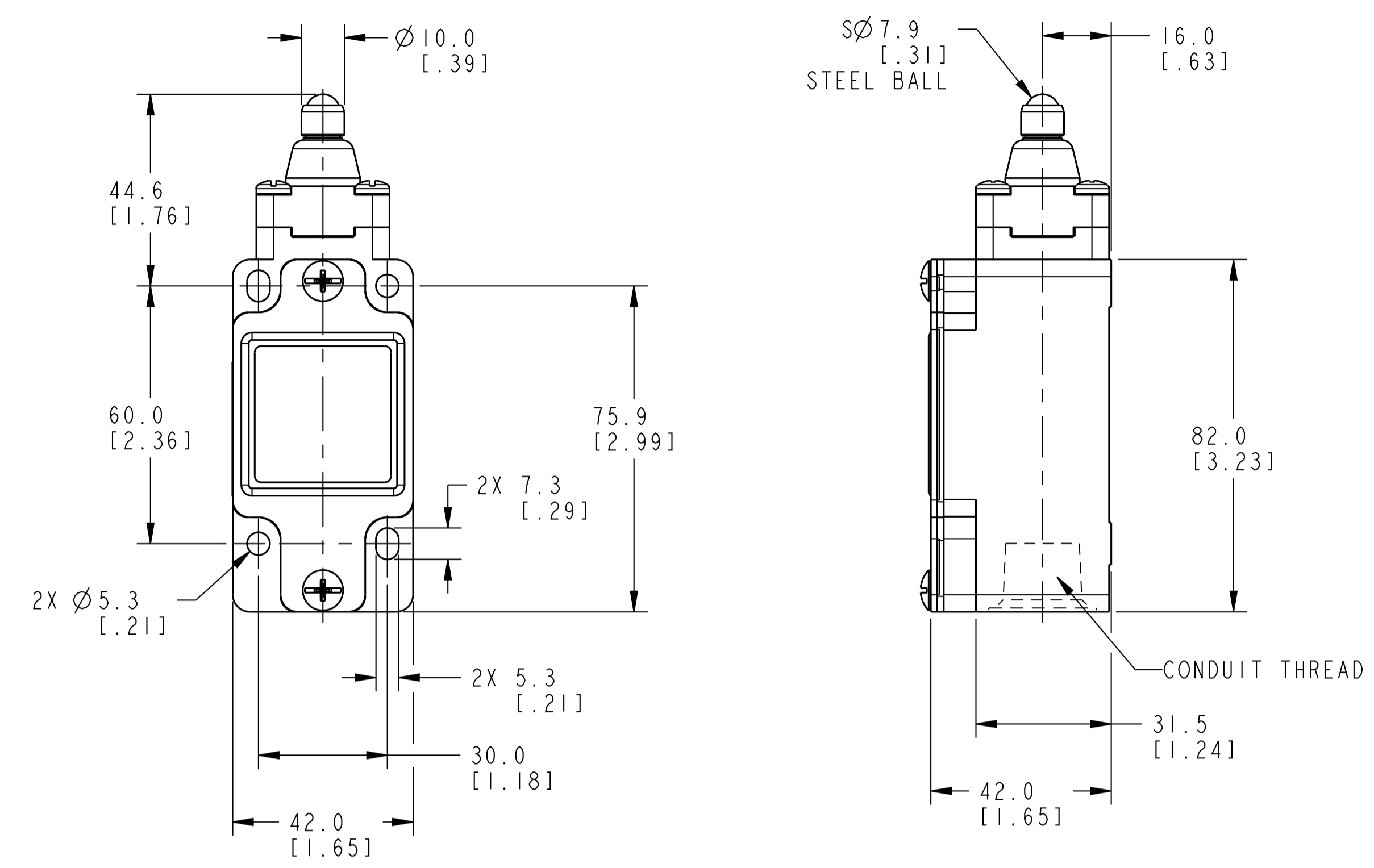
Honeywell				
SWITCH LIMIT				
TITLE	SIZE	CAGE CODE	DWG NO	TYPE
	A1	91929	GS SERIES CHART 1	I
SCALE	1:1	REF WT:	SHEET	6 of 7

PART NUMBER
GSA_SERIES_CHT1

BASIC SWITCH CODE	CONTACT BLOCK DIAGRAM	PIN ACTUATION		
		NOMINAL TRAVELS AND RELATED TERMINALS -CONTACT CLOSED □-CONTACT OPEN ■-CONTACT CLOSED DIFFERENTIAL TRAVEL,** POSITIVE OPENING TO IEC 947-5-1 DIMENSIONS IN mm	OPERATING FORCE MAX N lbs	DISCONNECT FORCE MAX N lbs
01 07	SNAP ACTION SINGLE POLE 		16 3.6	27 6.0
03 33	SLOW ACTION BREAK BEFORE MAKE 		16 3.6	27 6.0
04 34	SLOW ACTION MAKE BEFORE BREAK 		16 3.6	27 6.0
06 36	SLOW ACTION 2 NORMALLY CLOSED 		16 3.6	27 6.0
20 22	SNAP ACTION DOUBLE POLE 		16 3.6	37 8.2
21 28	SNAP ACTION DOUBLE POLE STEP 1 STEP 2 		16 3.6	27 6.0
40 41	SLOW ACTION 4 NORMALLY CLOSED 		16 3.6	27 6.0
42 43	SLOW ACTION 2 NORMALLY CLOSED/ 1 NORMALLY OPEN BREAK BEFORE MAKE 		16 3.6	27 6.0
44 45	SLOW ACTION 2 NORMALLY CLOSED/ 2 NORMALLY OPEN BREAK BEFORE MAKE 		16 3.6	27 6.0
46 47	SLOW ACTION 3 NORMALLY CLOSED/ 1 NORMALLY OPEN BREAK BEFORE MAKE 		16 3.6	27 6.0

MIN. OPERATING VELOCITY = 1.0mm/S (0.04in/S)
MAX. OPERATING VELOCITY = 0.1M/S (3.9in/S)
MAX. OPERATING FREQUENCY = 250 OPS/MINUTE

TOP PIN PLUNGER
OPERATING HEAD CODE R



Honeywell				
TITLE SWITCH LIMIT				
SIZE A1	CAGE CODE 91929	DWG NO GS SERIES CHART 1	TYPE I	REV A
SCALE 1:1	REF WT:	SHEET 7 of 7		