

# RADIAL LEADS

## SkyCap®/AR Series – Automotive

### GENERAL INFORMATION

#### AR Series

Conformally Coated Radial Leaded MLC

Temperature Coefficients: C0G (NP0), X7R, X8R

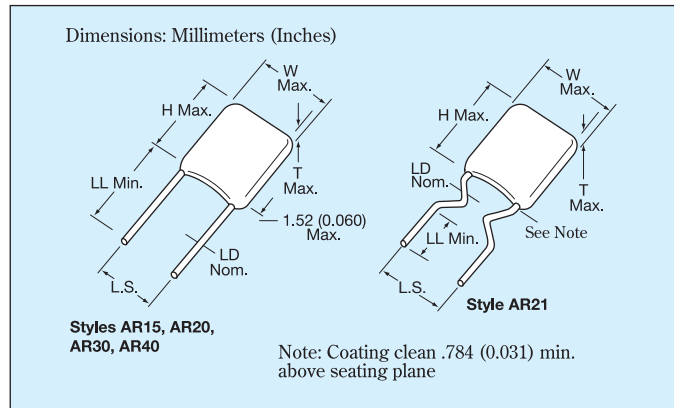
3000, 2000, 1000, 200, 100, 50 Volts

Case Material: Epoxy

Lead Material: RoHS Compliant, 100% Tin

Qualified: to AEC-Q200, PPAP Available

Temperature Range: up to 150°C



Drawings are for illustrative purposes only.  
Actual lead form shape could vary within stated tolerances based on body size.

### HOW TO ORDER

**AR21**

Style

**5**

Voltage  
5 = 50V  
1 = 100V  
2 = 200V  
A = 1000V  
G = 2000V  
H = 3000V

**F**

Temperature Coefficient  
A = C0G (NP0)  
C = X7R  
F = X8R  
L = X8L

**104**

Capacitance  
First two digits are the significant figures of capacitance. Third digit indicates the additional number of zeros. For example, order 100,000 pF as 104. (For values below 10pF use "R" in place of decimal point, e.g., 1R4 = 1.4pF.)

**M**

Capacitance Tolerance  
C0G (NP0):  
C = ±.25pF  
D = ±.5pF  
F = ±1% (>50pF only)  
G = ±2% (>25pF only)  
J = ±5%  
K = ±10%  
X7R:  
J = ±5%  
K = ±10%  
M = ±20%  
X8R:  
J = ±5%  
K = ±10%  
M = ±20%

**4**

Failure Rate  
4 = AEC-Q200

**R**

Leads  
R = RoHS

**TR1**

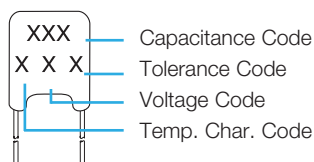
Packaging  
Blank: Bulk Packaging 1.0" minimum of lead length  
T: Trimmed leads .230" ± .030"  
Bulk packaging  
TR1: Tape and Reel Packaging  
AP1: Ammopack packaging

See packaging specification pages 33-34

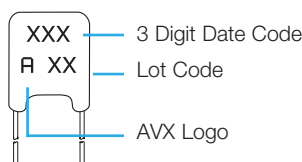


### MARKING

FRONT



BACK



### PACKAGING REQUIREMENTS

	Quantity per Bag
AR15, 20, 21, 30	1000 Pieces
AR40	500 Pieces

Note: AR15, AR20, AR21, AR30, and AR40 available on tape and reel per EIA specifications RS-468. See pages 33 and 34.

# RADIAL LEADS

## COG (NP0) Dielectric

### SIZE AND CAPACITANCE SPECIFICATIONS

EIA Characteristic

Dimensions: Millimeters (Inches)

Style		AR15	AR20	AR21						
"Insertable"		AR07	AR29	AR59						
Width (W)		3.81 (.150)	5.08 (.200)	5.08 (.200)						
Height (H)		3.81 (.150)	5.08 (.200)	5.08 (.200)						
Thickness (T)		2.54 (.100)	3.175 (.125)	3.175 (.125)						
Lead Spacing (L.S.)		2.54 (.100)	2.54 (.100)	5.08 (.200)						
Lead Diameter (L.D.)		.508 (.020)	.508 (.020)	.508 (.020)						
Cap. in. pF	Industry Preferred Values in Blue	WVDC			WVDC			WVDC		
		200	100	50	200	100	50	200	100	50
1	AR----A1R0D4R									
10	<b>AR----A100K4R</b>									
15	AR----A150K4R									
22	AR----A220K4R									
33	AR----A330K4R									
39	AR----A390K4R									
47	AR----A470K4R									
68	AR----A680K4R									
100	<b>AR----A101K4R</b>									
150	AR----A151K4R									
220	AR----A221K4R									
330	AR----A331K4R									
390	AR----A391K4R									
470	AR----A471K4R									
680	AR----A681K4R									
1,000	<b>AR----A102K4R</b>									
1,500	AR----A152K4R									
2,200	AR----A222K4R									
3,900	AR----A392K4R									
4,700	<b>AR----A472K4R</b>									
6800	AR----A682K4R									
8200	AR----A822K4R									

**Notes:**

"Insertable" make reference to alternative KYOCERA AVX style using the same range of capacitance available on the matrix.

For others Styles, voltages, tolerance and lead lengths see Skycap catalog or contact factory.

Others capacitance values available upon special request.

Others styles available: AR12, AR14, AR62, AR89.

# RADIAL LEADS

## X7R Dielectric



### SIZE AND CAPACITANCE SPECIFICATIONS

EIA Characteristic

Dimensions: Millimeters (Inches)

Style		AR15	AR20	AR21	AR30	AR40	
"Insertable"		AR07	AR29	AR59	AR65	AR75	
Width (W)		3.81 (.150)	5.08 (.200)	5.08 (.200)	7.62 (.300)	10.16 (.400)	
Height (H)		3.81 (.150)	5.08 (.200)	5.08 (.200)	7.62 (.300)	10.16 (.400)	
Thickness (T)		2.54 (.100)	3.175 (.125)	3.175 (.125)	3.81 (.150)	3.81 (.150)	
Lead Spacing (L.S.)		2.54 (.100)	2.54 (.100)	5.08 (.200)	5.08 (.200)	5.08 (.200)	
Lead Diameter (L.D.)		.508 (.020)	.508 (.020)	.508 (.020)	.508 (.020)	.508 (.020)	
Cap. in. pF	Industry Preferred Values in Blue	WVDC		WVDC		WVDC	
		100	50	100	50	100	50
470	AR----C471K4R						
<b>1000</b>	<b>AR----C102K4R</b>						
1500	AR----C152K4R						
2200	AR----C222K4R						
3300	AR----C332K4R						
4700	AR----C472K4R						
6800	AR----C682K4R						
<b>10,000</b>	<b>AR----C103K4R</b>						
15,000	AR----C153K4R						
22,000	AR----C223K4R						
33,000	AR----C333K4R						
47,000	AR----C473K4R						
68,000	AR----C683K4R						
<b>100,000</b>	<b>AR----C104K4R</b>						
150,000	AR----C154K4R						
220,000	AR----C224K4R						
330,000	AR----C334K4R						
390,000	AR----C394K4R						
470,000	AR----C474K4R						
680,000	AR----C684K4R						
<b>1.0 uF</b>	<b>AR----C105K4R</b>						
4,700,000	AR----C475K4R						
6,800,000	AR----C685K4R						
<b>10.0 uF</b>	<b>AR----C106K4R</b>						

= Extended range with 0.150" thickness maximum

**Notes:**

"Insertable" make reference to alternative KYOCERA AVX style using the same range of capacitance available on the matrix.

For others Styles, voltages, tolerance and lead lengths see Skycap catalog or contact factory.

Others capacitance values available upon special request.

Others styles available: AR12, AR14, AR62, AR89, AR32, AR38.

# RADIAL LEADS

## X8R Dielectric "F"

### GENERAL INFORMATION

**AR Series**

**Conformally Coated Radial Leaded MLC**

**Temperature Coefficients:** C0G (NP0), X7R, X8R

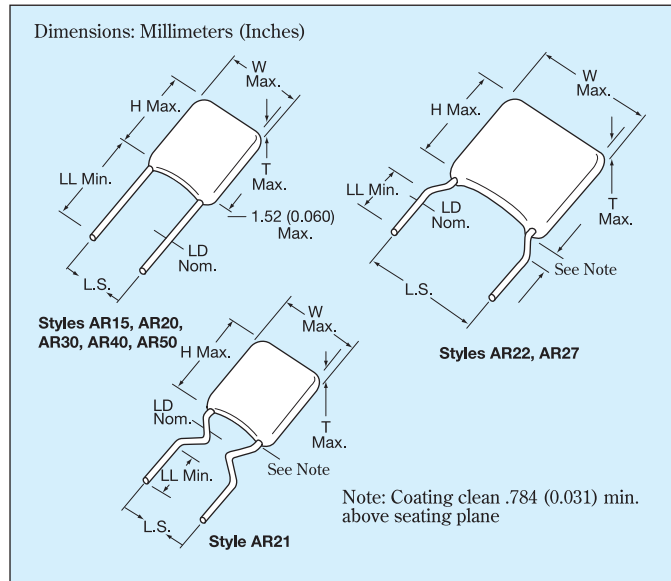
**200, 100, 50 Volts**

**Case Material:** Epoxy

**Lead Material:** Solderable

**Qualified:** to AEC-Q200

**Temperature Range:** up to 150°C



Drawings are for illustrative purposes only. Actual lead form shape could vary within stated tolerances based on body size.

### HOW TO ORDER

**AR21**

**Style**

**5**

**Voltage**  
5 = 50V  
1 = 100V  
2 = 200V

**F**

**Temperature Coefficient**  
F = X8R

**104**

**Capacitance**  
First two digits are the significant figures of capacitance. Third digit indicates the additional number of zeros. For example, order 100,000 pF as 104. (For values below 10pF use "R" in place of decimal point, e.g., 1R4 = 1.4pF.)

**M**

**Capacitance Tolerance**  
X8R:  
J = ±5%  
K = ±10%  
M = ±20%

**4**

**Failure Rate**  
4 = AEC-Q200

**R**

**Leads**  
R = RoHS

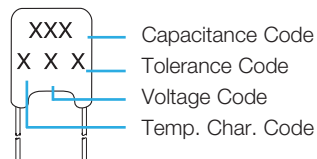
**TR1**

**Packaging**  
Blank: Bulk Packaging 1.0" minimum of lead length  
T: Trimmed leads .230" ± .030"  
Bulk packaging  
TR1: Tape and Reel Packaging  
AP1: Ammopack packaging

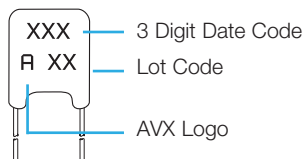
See packaging specification pages 33-34

### MARKING

**FRONT**



**BACK**



### PACKAGING REQUIREMENTS

	Quantity per Bag
AR15, 20, 21, 30	1000 Pieces
AR40	500 Pieces

Note: AR15, AR20, AR21, AR30, and AR40 available on tape and reel per EIA specifications RS-468. See pages 33 and 34.



# RADIAL LEADS

## X8R Dielectric

### SIZE AND CAPACITANCE SPECIFICATIONS

EIA Characteristic Dimensions: Millimeters (Inches)

Style		AR20			AR21		
"Insertable"		AR29			AR59		
Width (W)		5.08 (.200)			5.08 (.200)		
Height (H)		5.08 (.200)			5.08 (.200)		
Thickness (T)		3.175 (.125)			3.175 (.125)		
Lead Spacing (L.S.)		2.54 (.100)			5.08 (.200)		
Lead Diameter (L.D.)		.508 (.020)			.508 (.020)		
Cap. in. pF	Industry Preferred Values in Blue	WVDC			WVDC		
		200	100	50	200	100	50
1,000	AR----F102K4R						
10,000	AR----F103K4R						
100,000	AR----F104K4R						
330,000	AR----F334K4R						

**Notes:**

"Insertable" make reference to alternative KYOCERA AVX style using the same range of capacitance available on the matrix. For others Styles, voltages, tolerance and lead lengths see Skycap catalog or contact factory. Others capacitance values available upon special request. Others styles available: AR14, AR62, AR89.

# RADIAL LEADS

## X8L Dielectric



### STYLES AND CAPACITANCE SPECIFICATIONS

EIA Characteristics

Style		AR15		AR20		AR21	
"Insertable"		AR07		AR29		AR59	
Cap. in pF	Industry Preferred Values	WVDC		WVDC		WVDC	
		100	50	100	50	100	50
470	AR____L471K4R						
<b>1,000</b>	<b>AR____L102K4R</b>						
1,500	AR____L152K4R						
2,200	AR____L222K4R						
3,300	AR____L332K4R						
4,700	AR____L472K4R						
6,800	AR____L682K4R						
<b>10,000</b>	<b>AR____L103K4R</b>						
15,000	AR____L153K4R						
22,000	AR____L223K4R						
33,000	AR____L333K4R						
47,000	AR____L473K4R						
68,000	AR____L683K4R						
<b>100,000</b>	<b>AR____L104K4R</b>						
150,000	AR____L154K4R						
220,000	AR____L224K4R						
330,000	AR____L334K4R						
390,000	AR____L394K4R						
470,000	AR____L474K4R						
680,000	AR____L684K4R						
<b>1.0 uF</b>	<b>AR____L105K4R</b>						
4700,000	AR____L475K4R						
6800,000	AR____L685K4R						
<b>10.0 uF</b>	<b>AR____L106K4R</b>						

# RADIAL LEADS

## High Voltage Automotive Product SkyCap Capacitors - X7R Dielectric

### SIZE AND CAPACITANCE SPECIFICATIONS

EIA Characteristic Dimensions: Millimeters (Inches)

	Style	AR20	AR21	AR22	AR27	AR30	
	"Insertable"	AR29	AR59	N/A	N/A	AR65	
Cap. in. pF	Industry Preferred Values in Blue	WVDC 1000	WVDC 1000	WVDC 1000	WVDC 1000	WVDC	
						2000	3000
470	AR____C471K4R						
1000	AR____C102K4R						
1500	AR____C152K4R						
2200	AR____C222K4R						
3300	AR____C332K4R						
4700	AR____C472K4R						
6800	AR____C682K4R						
10,000	AR____C103K4R						
15,000	AR____C153K4R						
22,000	AR____C223K4R						
47,000	AR____C473K4R						
68,000	AR____C683K4R						

For others Styles, voltages, tolerance and lead lengths see Skycap catalog or contact factory.

# RADIAL LEADS

## SkyCap® Configurations by Lead Spacing

LEAD SPACING <b>.100 ±.030</b>				Dimensions: Inches (Millimeters)			
<p><b>AR07/SR07*</b> (T=.100)</p>	<p><b>AR14/SR14</b> (T=.100)</p> <p>Meniscus Free .031 (.787) Above Seating Plane</p>	<p><b>AR15/SR15*</b> (T=.100)</p>	<p><b>AR20/SR20*</b> (T=.125)</p>	<p><b>AR29/SR29*</b> (T=.125)</p> <p>Meniscus Free .031 (.787) Above Seating Plane</p>	<p><b>AR62/SR62*</b> (T=.125)</p> <p>Leads = #22 AWG</p>	<p><b>SR62-LP*</b> (T=.100)</p> <p>Leads = #22 AWG</p>	

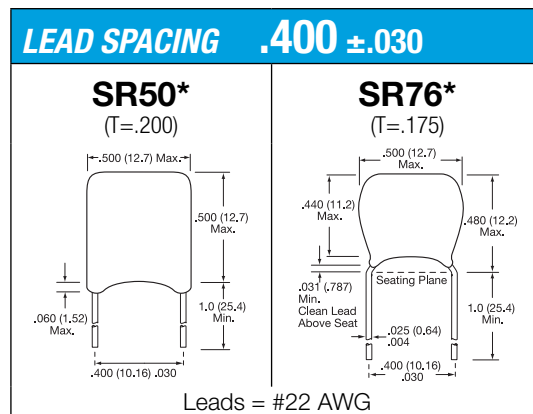
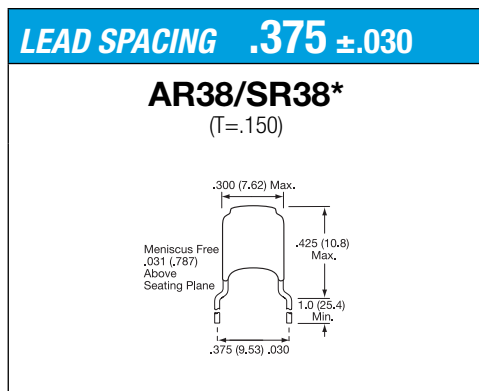
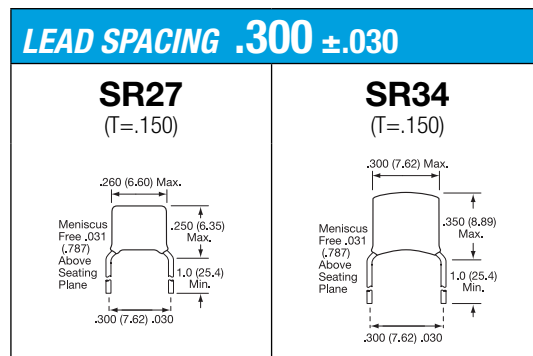
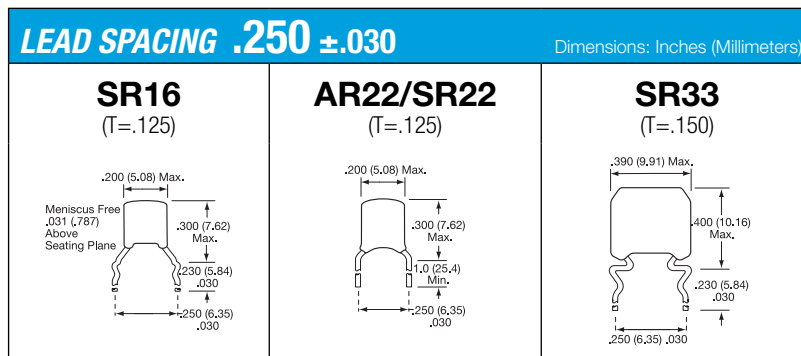
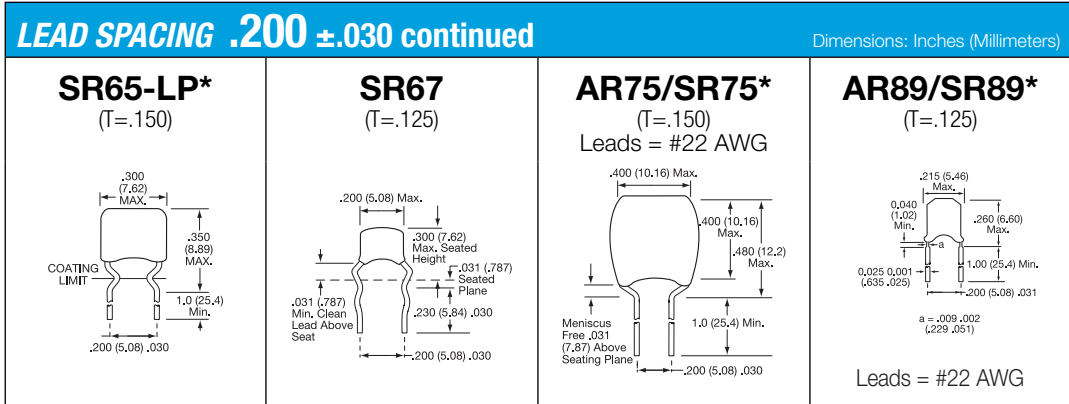
LEAD SPACING <b>.200 ±.030</b>					Dimensions: Inches (Millimeters)									
<p><b>AR12/SR12*</b> (T=.100)</p>	<p><b>SR13*</b> (T=.125)</p> <p>Meniscus Free .031 (.787) Above Seating Plane</p>	<p><b>AR21/SR21*</b> (T=.125)</p>	<p><b>SR21-85*</b> (T=.125)</p> <p>Meniscus Free .031 (.787) Above Seating Plane</p>	<p><b>SR28*</b> (T=.125)</p> <p>Meniscus Free .031 (.787) Above Seating Plane</p>	<p><b>AR30/SR30*</b> (T=.150)</p>	<p><b>SR30-LP*</b> (T=.150)</p>	<p><b>AR32/SR32*</b> (T=.150)</p> <p>Meniscus Free .031 (.787) Above Seating Plane</p>	<p><b>AR40/SR40*</b> (T=.150)</p>	<p><b>AR59/SR59*</b> (T=.125)</p>	<p><b>SR61</b> (T=.150)</p> <p>Meniscus Free .031 (.787) Above Seating Plane</p>	<p><b>SR63*</b> (T=.150)</p>	<p><b>SR64*</b> (T=.150)</p> <p>Leads = #22 AWG</p>	<p><b>SR64-LP*</b> (T=.150)</p> <p>Leads = #22 AWG</p>	<p><b>AR65/SR65*</b> (T=.150)</p>

\*SL style available in all SR configurations.



# RADIAL LEADS

## SkyCap® Configurations by Lead Spacing



- NOTES:**
1. All leads are #24 AWG unless otherwise noted.
  2. Available in tape and reel packaging(\*).
  3. Other styles are also available, contact factory.
  4. (T = XXX) under type designation is maximum thickness in inches.

Drawings are for illustrative purposes only. Actual lead form shape could vary within stated tolerances based on body size.

\*SL style available in all SR configurations.