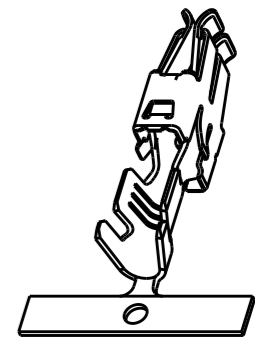
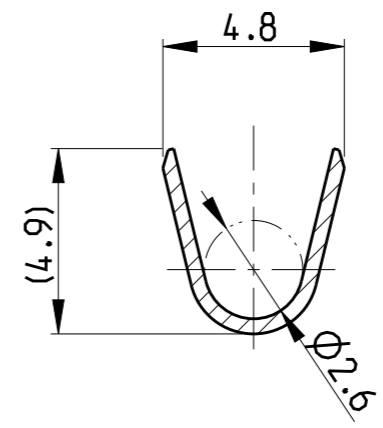
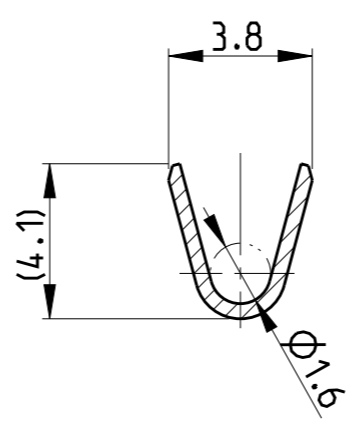
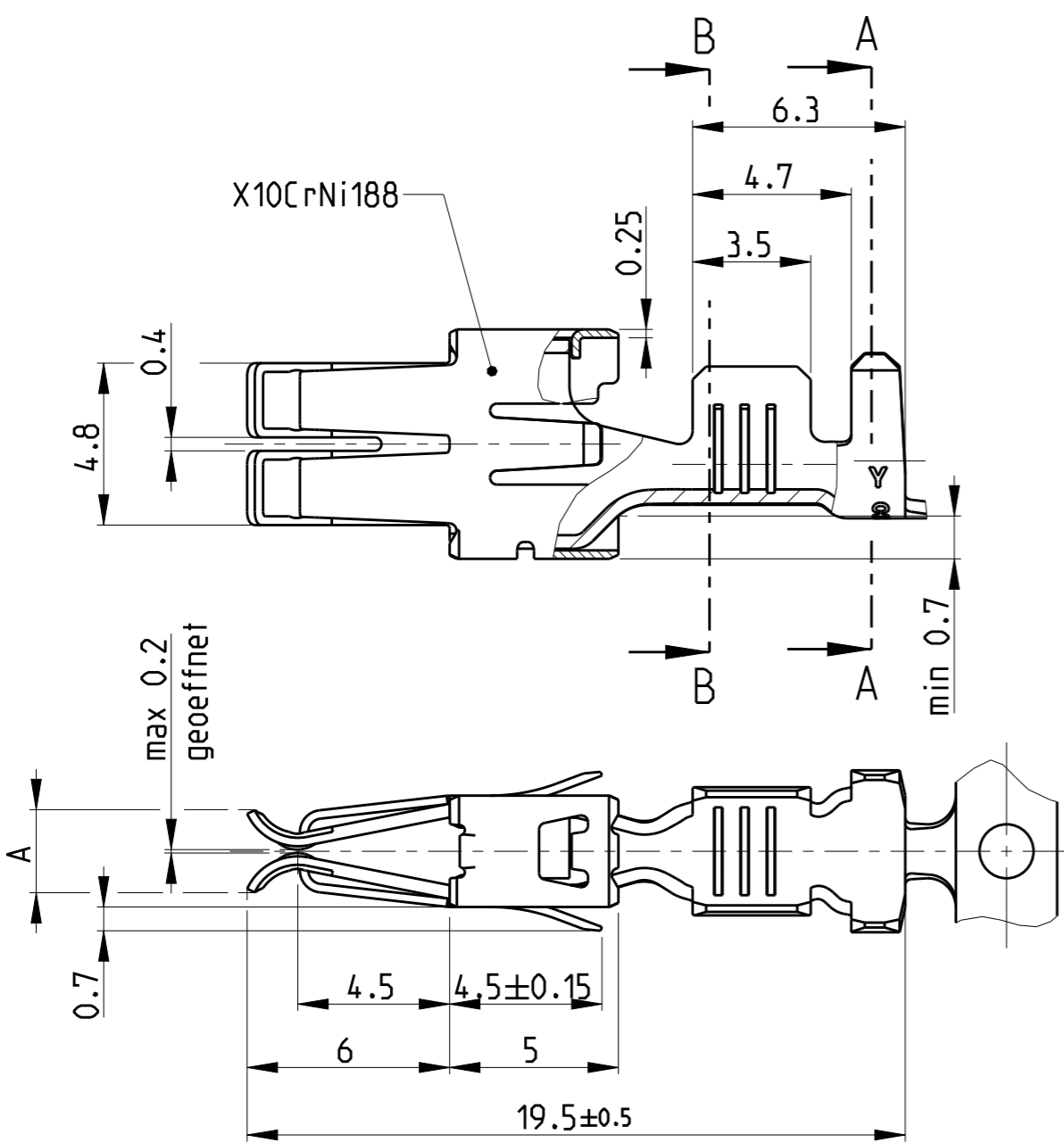


THIS DRAWING IS UNPUBLISHED. RELEASED FOR PUBLICATION. ALL RIGHTS RESERVED.

LOC	DIST	REVISIONS					
A1	-	P	LTR	DESCRIPTION	DATE	DWN	APVD
			C7	ECR-16-013486	26SEP2016	KD	RR
			C8	ECR-17-005237	11APR2017	IZ	RR
			C9	ECR-19-018282	22NOV2019	KD	FL
			C10	ECR-19-019847	20DEC2019	KD	FL



2:1

- Notes
- 1 OBSOLETE
 - 2 PRELIMINARY - NOT RELEASED FOR PRODUCTION
 - 3 CONTACT ZONE SELECTIVE PRE SILVER PLATED MIN 1-1.5 µm
 - 4 GENERAL TOLERANCE: ± 0.2, ± 1°

INSUL. RANGE Ø2.2-3.0 mm	WIRE RANGE >1-2.5 mm ²
--------------------------------	---

A	LP NO	FINISH	MATERIAL	PART NO.	REV	
2.5	1	1241826-5	vorversilbert/PRESILVERED	CuFe2	964203-5	C
2.5	1	1241826-4	vorversilbert/PRESILVERED 1-1.5 µm	CuSn4	964203-4	C
2.5	1	1241826-3	vorversilbert/PRESILVERED 3-4.5 µm	CuSN4	964203-3	C
2.5	1	1241826-2	vorverzinkt/PRETINNED	CuSN4	964203-2	C
2.5	1	1241826-1	vorverzinkt/PRETINNED	CuFe2	964203-1	C

THIS DRAWING IS A CONTROLLED DOCUMENT.

DWN ATZMANN 06.01.94	 TE Connectivity STANDARD POWER TIMER KONTAKT (Gerade Tulpe)					
CHK BARTOSCH 18.01.94						
APVD Bleicher.M. 28.11.07						
PRODUCT SPEC 108-18025						
MATERIAL	FINISH	APPLICATION SPEC 114-18037	SIZE A3	CAGE CODE 00779	DRAWING NO C-964203	RESTRICTED TO
Customer Drawing			WEIGHT 0.82 g	SCALE 3:1	SHEET 1 OF 10	REV 10

THIS DRAWING IS UNPUBLISHED.

RELEASED FOR PUBLICATION

© COPYRIGHT -

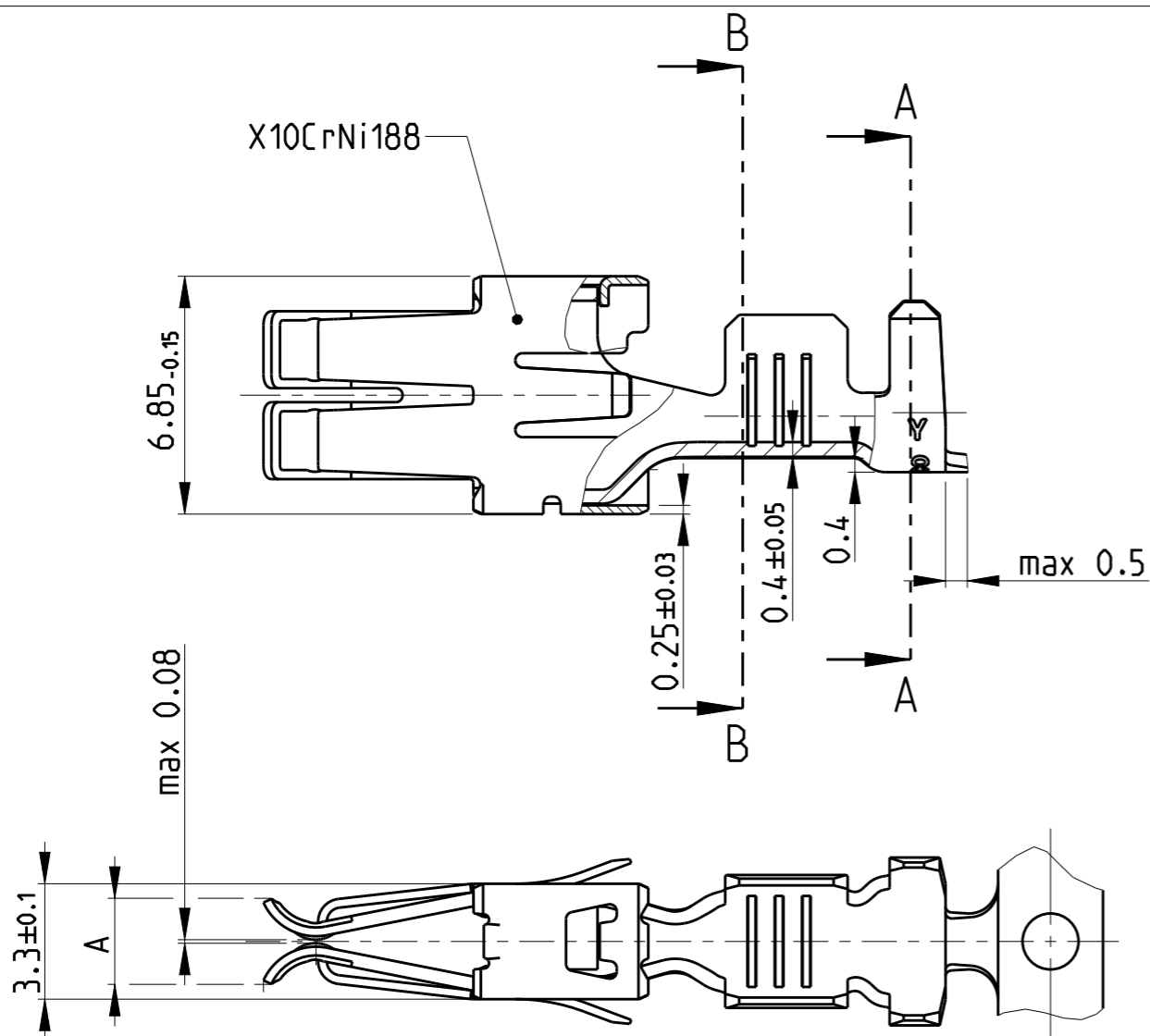
ALL RIGHTS RESERVED.

LOC DIST

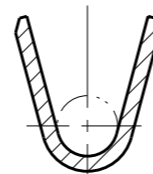
REVISIONS

P	LTR	DESCRIPTION	DATE	DWN	APVD
-	-	SEE SHEET 1	-	-	-

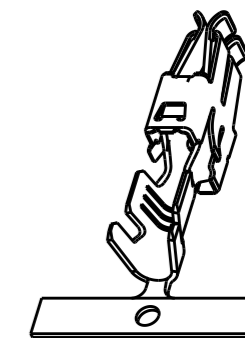
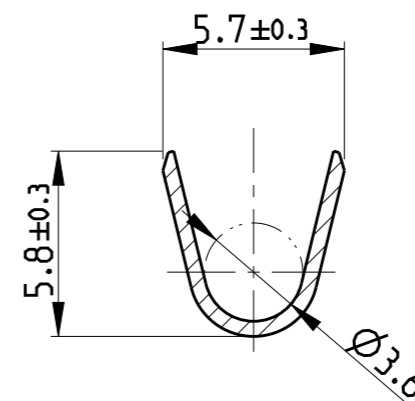
ONLY FOR 3-927833-1 & 3-927833-2
OTHER DIMENSIONS SEE SHEET 1



B-B



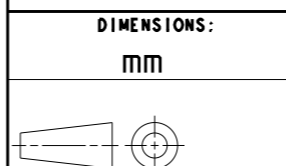
A-A



2:1

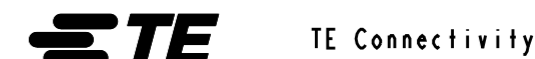
INSUL. RANGE	WIRE RANGE	2.3±0.15	-	PRETINNED	CuSn4	3-927833-2	A
Ø2.7-3.7 mm	>1-2.5 mm ²	2.3±0.15	-	PRETINNED	CuFe2	3-927833-1	A
		A	LP NO	FINISH	MATERIAL	PART NO.	REV

THIS DRAWING IS A CONTROLLED DOCUMENT.



DIMENSIONS:	TOLERANCES UNLESS OTHERWISE SPECIFIED:
mm	±0.2
0 PLC	±
1 PLC	±
2 PLC	±
3 PLC	±
4 PLC	±
ANGLES	±1°
MATERIAL	FINISH

DWN	ATZMANN	06.01.94
CHK	BARTOSCH	18.01.94
APVD	Bleicher, M.	28.11.07
PRODUCT SPEC	108-18025	
APPLICATION SPEC	114-18037	
WEIGHT	0.82 g	



NAME
STANDARD POWER TIMER KONTAKT
(Gerade Tulpe)

SIZE	CAGE CODE	DRAWING NO	RESTRICTED TO
A3	00779	C-964203	-

Customer Drawing SCALE 5:1 SHEET 2 OF 10 REV 10

THIS DRAWING IS UNPUBLISHED.

RELEASED FOR PUBLICATION

© COPYRIGHT -

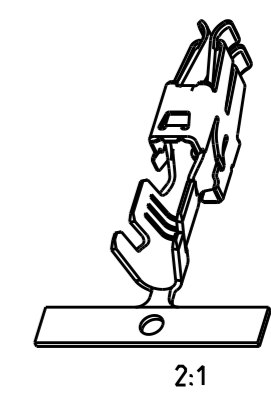
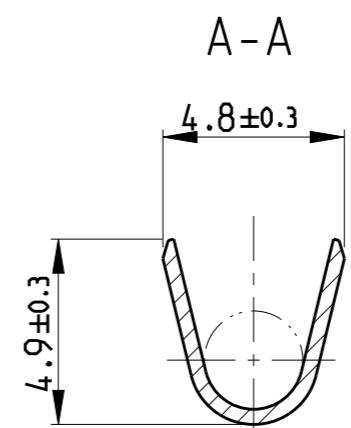
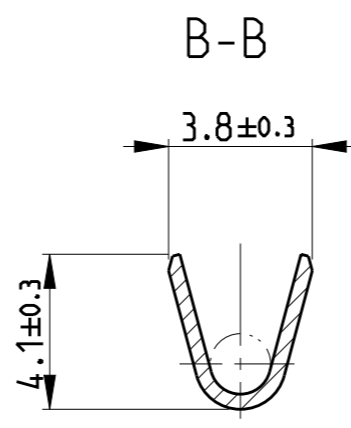
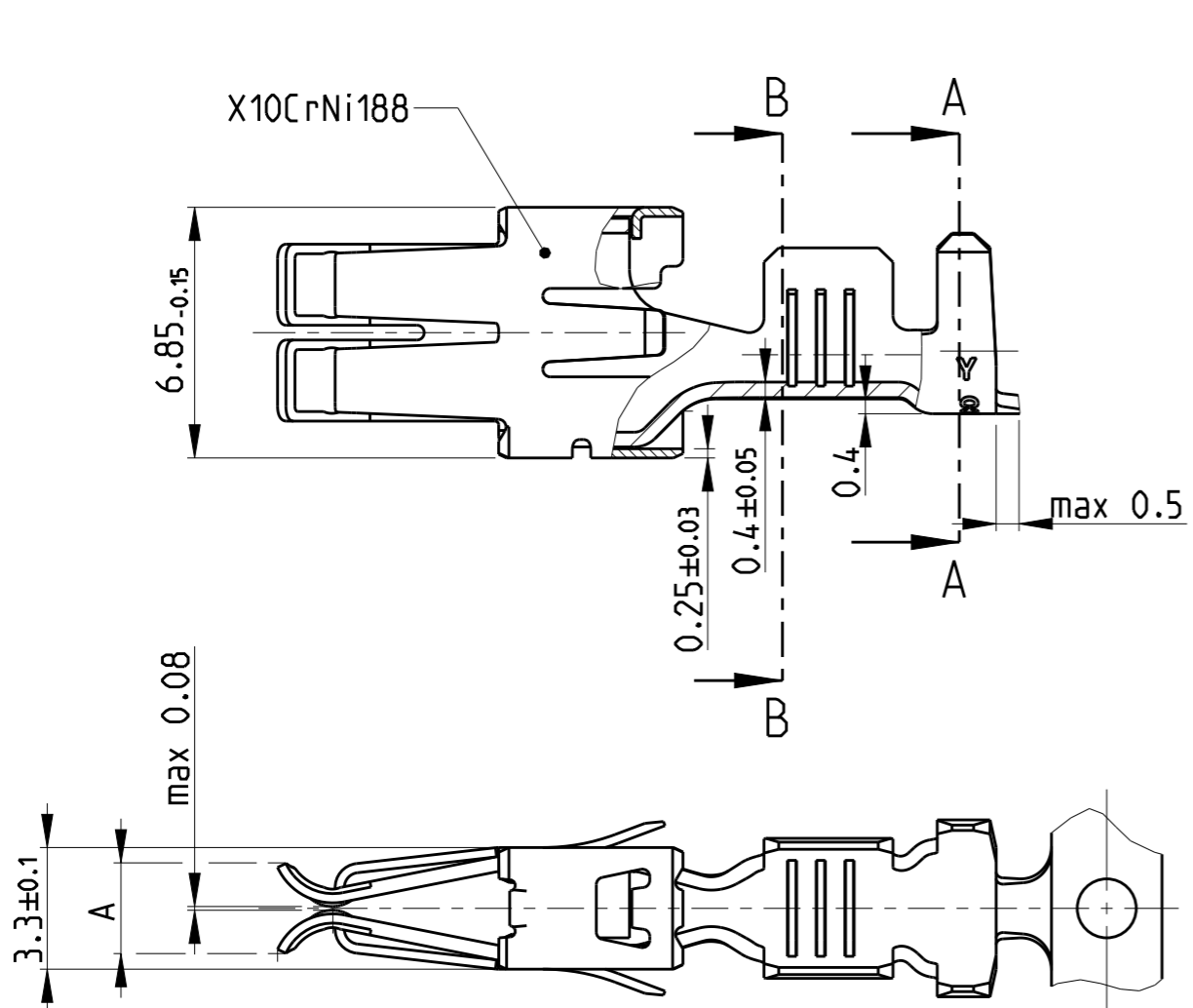
ALL RIGHTS RESERVED.

LOC DIST

REVISIONS

P	LTR	DESCRIPTION	DATE	DWN	APVD
-	-	SEE SHEET 1	-	-	-

ONLY FOR 3-927837-1, 3-927837-2,
3-927837-4 & 3-927837-5
OTHER DIMENSIONS SEE SHEET 1



INSUL. RANGE Ø2.2-3.0 mm	WIRE RANGE >1-2.5 mm ²
--------------------------------	---

2.3 ± 0.15	-	PRESILVERED	3	CuFe2	3-927837-5	A
2.3 ± 0.15	-	PRESILVERED	3	CuSn4	3-927837-4	A
2.3 ± 0.15	-	PRETINNED		CuSn4	3-927837-2	A
2.3 ± 0.15	-	PRETINNED		CuFe2	3-927837-1	A
A	LP NO	FINISH		MATERIAL	PART NO.	REV

THIS DRAWING IS A CONTROLLED DOCUMENT.

DIMENSIONS: mm	TOLERANCES UNLESS OTHERWISE SPECIFIED: ±0.2
	0 PLC ±
	1 PLC ±
	2 PLC ±
	3 PLC ±
	4 PLC ±
	ANGLES ±1°
MATERIAL	FINISH

DWN	ATZMANN	06.01.94
CHK	BARTOSCH	18.01.94
APVD	Bleicher, M.	28.11.07
PRODUCT SPEC	108-18025	
APPLICATION SPEC	114-18037	
WEIGHT	0.82 g	

STE TE Connectivity			
NAME STANDARD POWER TIMER KONTAKT (Gerade Tulpe)			
SIZE	CAGE CODE	DRAWING NO	RESTRICTED TO
A3	00779	C-964203	-
Customer Drawing		SCALE	SHEET
		5:1	3 OF 10
		REV	10

THIS DRAWING IS UNPUBLISHED.

RELEASED FOR PUBLICATION

© COPYRIGHT -

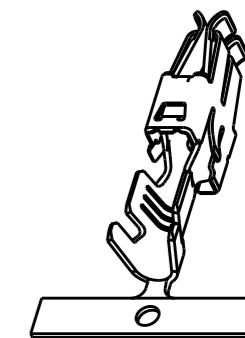
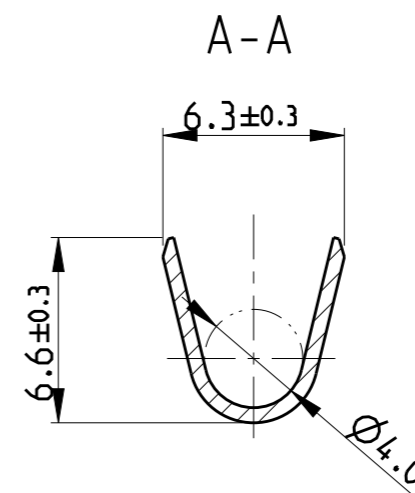
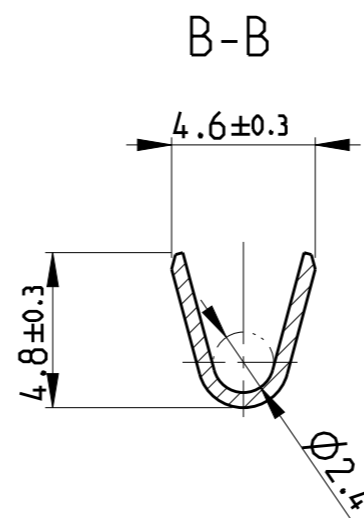
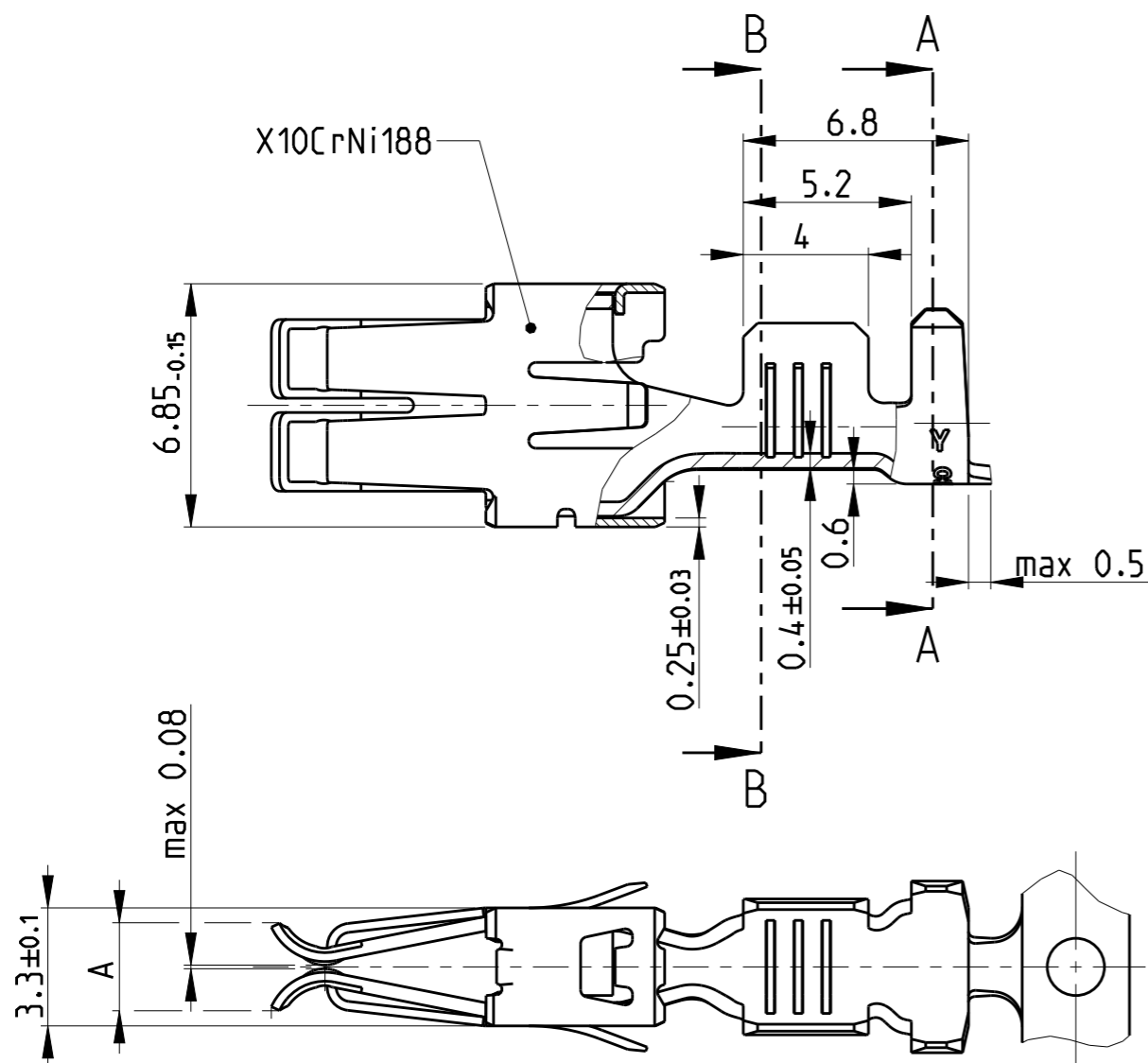
ALL RIGHTS RESERVED.

LOC DIST

REVISIONS

P	LTR	DESCRIPTION	DATE	DWN	APVD
-	-	SEE SHEET 1	-	-	-

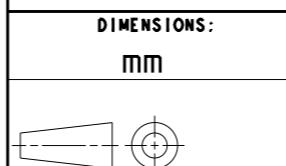
ONLY FOR 3-927824-1 & 3-927824-2
 OTHER DIMENSIONS SEE SHEET 1



2:1

INSUL. RANGE	WIRE RANGE	A	LP NO	FINISH	MATERIAL	PART NO.	REV
Ø3.3-4.5 mm	>2.5-4.0 >mm ²	2.3 ± 0.15	-	PRETINNED	CuSn4	3-927824-2	A
		2.3 ± 0.15	-	PRETINNED	CuFe2	3-927824-1	A

THIS DRAWING IS A CONTROLLED DOCUMENT.



DIMENSIONS:	TOLERANCES UNLESS OTHERWISE SPECIFIED:
mm	±0.2
0 PLC	±
1 PLC	±
2 PLC	±
3 PLC	±
4 PLC	±
ANGLES	±1°

MATERIAL -

FINISH -

DWN	ATZMANN	06.01.94
CHK	BARTOSCH	18.01.94
APVD	Bleicher, M.	28.11.07
PRODUCT SPEC	108-18025	
APPLICATION SPEC	114-18037	
WEIGHT	0.82 g	



NAME STANDARD POWER TIMER KONTAKT (Gerade Tulpe)

SIZE	CAGE CODE	DRAWING NO	RESTRICTED TO
A3	00779	C-964203	-

Customer Drawing SCALE 5:1 SHEET 4 OF 10 REV 10

THIS DRAWING IS UNPUBLISHED.

RELEASED FOR PUBLICATION

© COPYRIGHT -

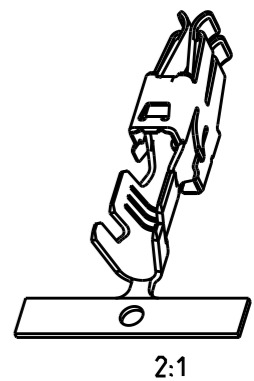
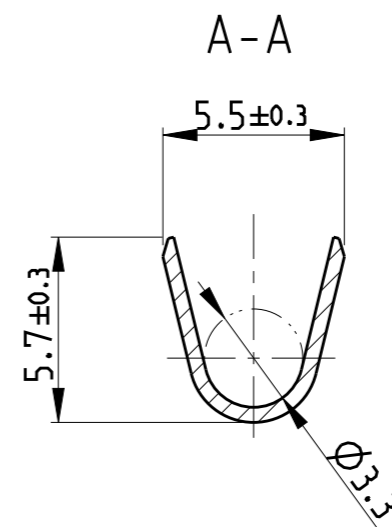
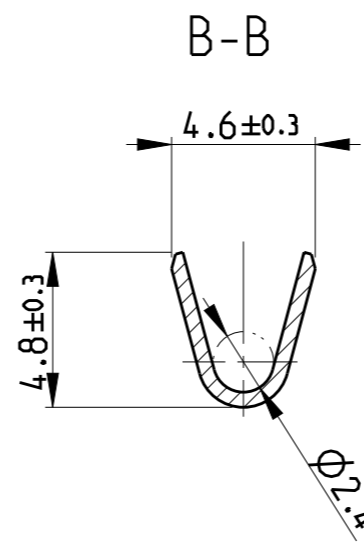
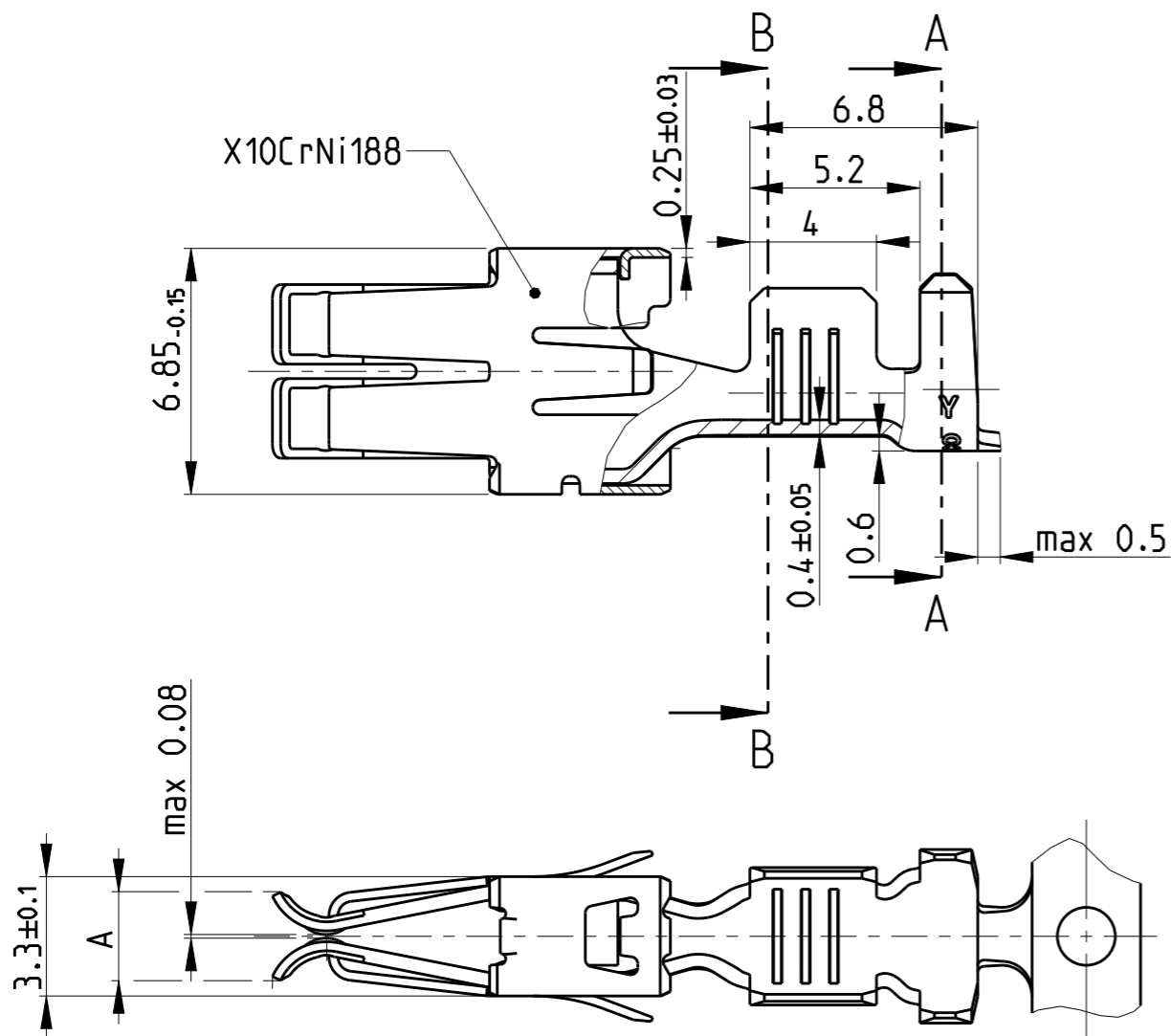
ALL RIGHTS RESERVED.

LOC DIST

REVISIONS

P	LTR	DESCRIPTION	DATE	DWN	APVD
-	-	SEE SHEET 1	-	-	-

ONLY FOR 3-927829-1 & 3-927829-5,
OTHER DIMENSIONS SEE SHEET 1



INSUL. RANGE	WIRE RANGE	A	LP NO	FINISH	MATERIAL	PART NO.	REV
Ø2.7-3.7 mm	>2.5-4.0 mm ²	2.3 ± 0.15	-	PRESILVERED ³	CuFe2	3-927829-5	A
		2.3 ± 0.15	-	PRETINNED	CuFe2	3-927829-1	A

THIS DRAWING IS A CONTROLLED DOCUMENT.

DIMENSIONS:	TOLERANCES UNLESS OTHERWISE SPECIFIED:
mm	±0.2
	±1°

MATERIAL FINISH

DWN	ATZMANN	06.01.94
CHK	BARTOSCH	18.01.94
APVD	Bleicher, M.	28.11.07
PRODUCT SPEC	108-18025	
APPLICATION SPEC	114-18037	
WEIGHT	0.82 g	

STE TE Connectivity			
NAME STANDARD POWER TIMER KONTAKT (Gerade Tulpe)			
SIZE	CAGE CODE	DRAWING NO	RESTRICTED TO
A3	00779	C-964203	-

Customer Drawing SCALE 5:1 SHEET 5 OF 10 REV 10

THIS DRAWING IS UNPUBLISHED.

RELEASED FOR PUBLICATION

© COPYRIGHT -

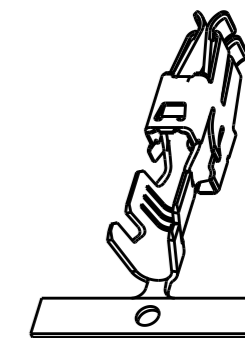
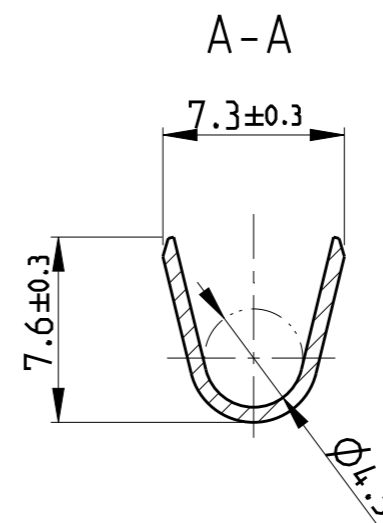
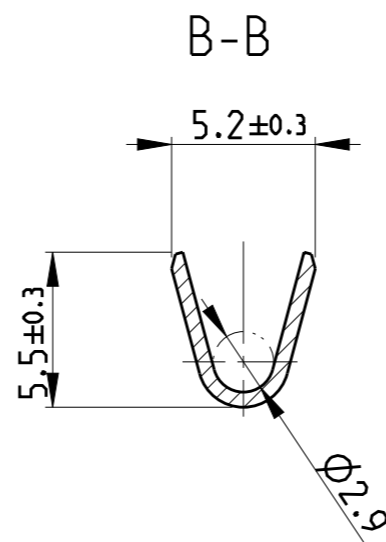
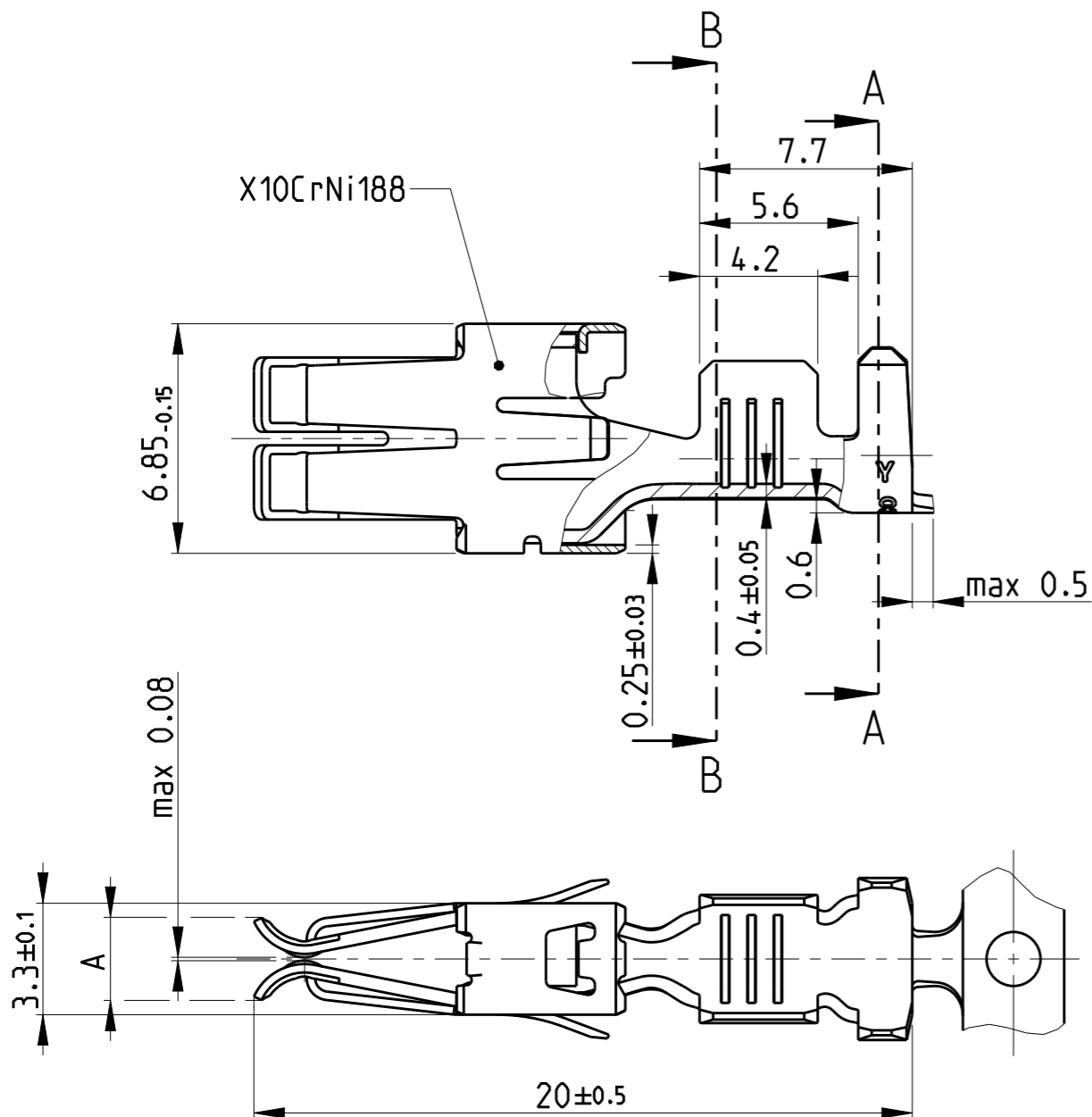
ALL RIGHTS RESERVED.

LOC DIST

REVISIONS

P	LTR	DESCRIPTION	DATE	DWN	APVD
-	-	SEE SHEET 1	-	-	-

ONLY FOR 3-963709-1
OTHER DIMENSIONS SEE SHEET 1



2:1

INSUL. RANGE \varnothing 4.0-5.2 mm	WIRE RANGE 4.0-6.0 mm ²	2.3 \pm 0.15 A	- LP NO	PRETINNED FINISH	CuFe2 MATERIAL	3-963709-1 PART NO.	A REV
---	--	---------------------	------------	---------------------	-------------------	------------------------	----------

THIS DRAWING IS A CONTROLLED DOCUMENT.

DIMENSIONS: mm	TOLERANCES UNLESS OTHERWISE SPECIFIED: ±0.2
	0 PLC ±
	1 PLC ±
	2 PLC ±
	3 PLC ±
	4 PLC ±
	ANGLES ±°
MATERIAL	FINISH

DWN	ATZMANN	06.01.94
CHK	BARTOSCH	18.01.94
APVD	Bleicher, M.	28.11.07
PRODUCT SPEC	108-18025	
APPLICATION SPEC	114-18037	
WEIGHT	0.82 g	



NAME
STANDARD POWER TIMER KONTAKT
(Gerade Tulpe)

SIZE	CAGE CODE	DRAWING NO	RESTRICTED TO
A3	00779	C-964203	-

Customer Drawing SCALE 5:1 SHEET 6 OF 10 REV 10

THIS DRAWING IS UNPUBLISHED.

RELEASED FOR PUBLICATION

© COPYRIGHT

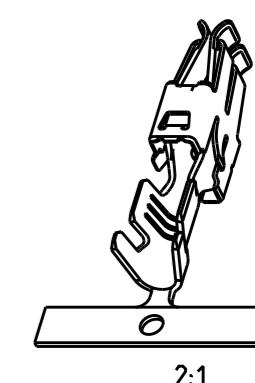
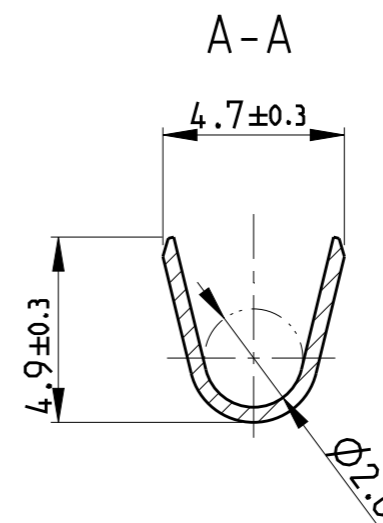
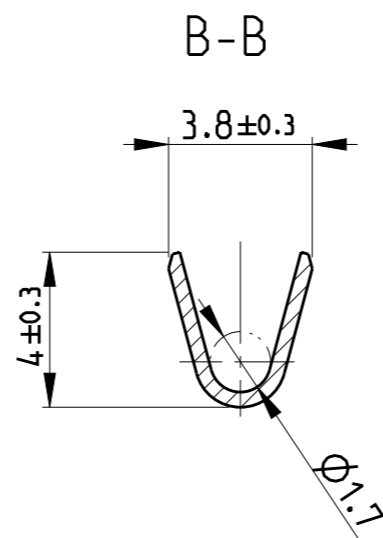
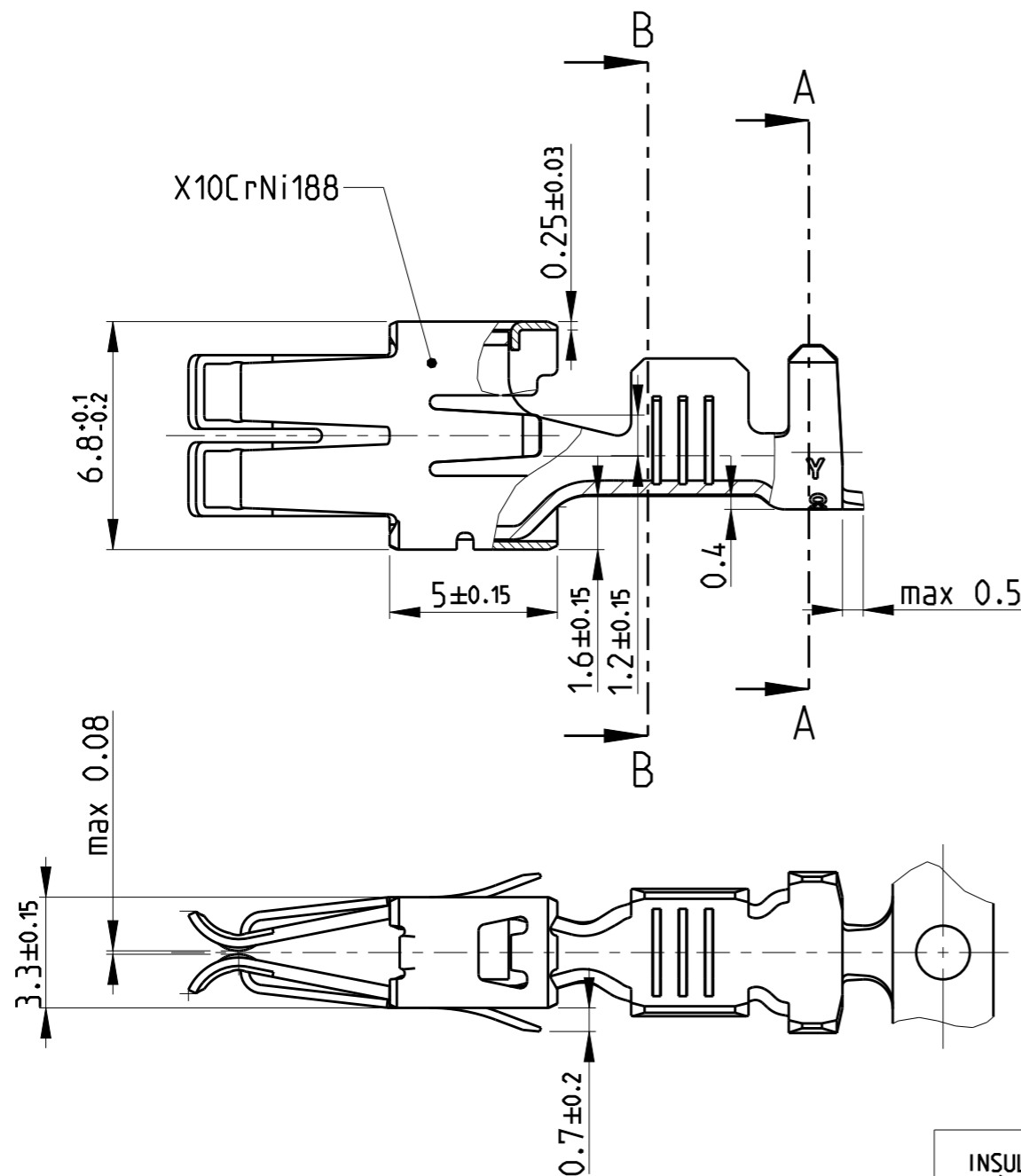
ALL RIGHTS RESERVED.

LOC DIST

REVISIONS

P	LTR	DESCRIPTION	DATE	DWN	APVD
-	-	SEE SHEET 1	-	-	-

ONLY FOR 3-964326-1
OTHER DIMENSIONS SEE SHEET 1



INSUL. RANGE Ø2.2-3.0 mm	WIRE RANGE >1.0-2.5 mm ²
--------------------------------	---

-	PRETINNED	CuFe2	3-964326-1	A
LP NO	FINISH	MATERIAL	PART NO.	REV

THIS DRAWING IS A CONTROLLED DOCUMENT.

DIMENSIONS: mm	TOLERANCES UNLESS OTHERWISE SPECIFIED: ±0.2
	0 PLC ±
	1 PLC ±
	2 PLC ±
	3 PLC ±
	4 PLC ±
	ANGLES ±°
MATERIAL	FINISH

DWN	ATZMANN	06.01.94
CHK	BARTOSCH	18.01.94
APVD	Bleicher, M.	28.11.07
PRODUCT SPEC	108-18025	
APPLICATION SPEC	114-18037	
WEIGHT	0.82 g	

TE Connectivity		NAME		RESTRICTED TO
		STANDARD POWER TIMER KONTAKT (Gerade Tulpe)		
SIZE	CAGE CODE	DRAWING NO		
A3	00779	C-964203		
Customer Drawing		SCALE	SHEET	REV
		5:1	7 OF 10	10

THIS DRAWING IS UNPUBLISHED.

RELEASED FOR PUBLICATION

© COPYRIGHT -

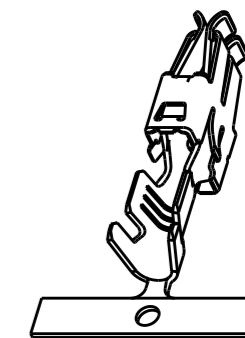
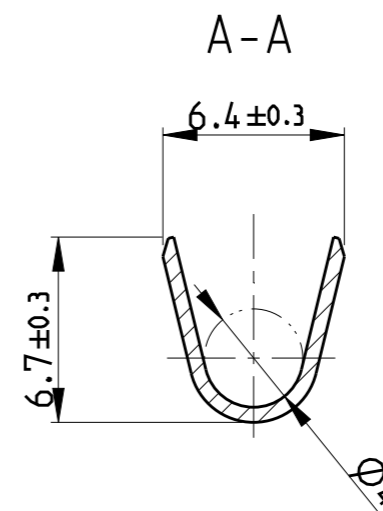
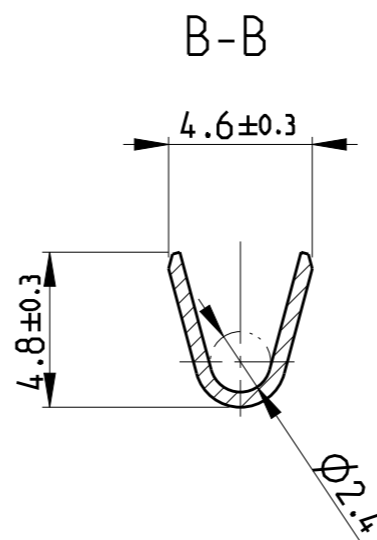
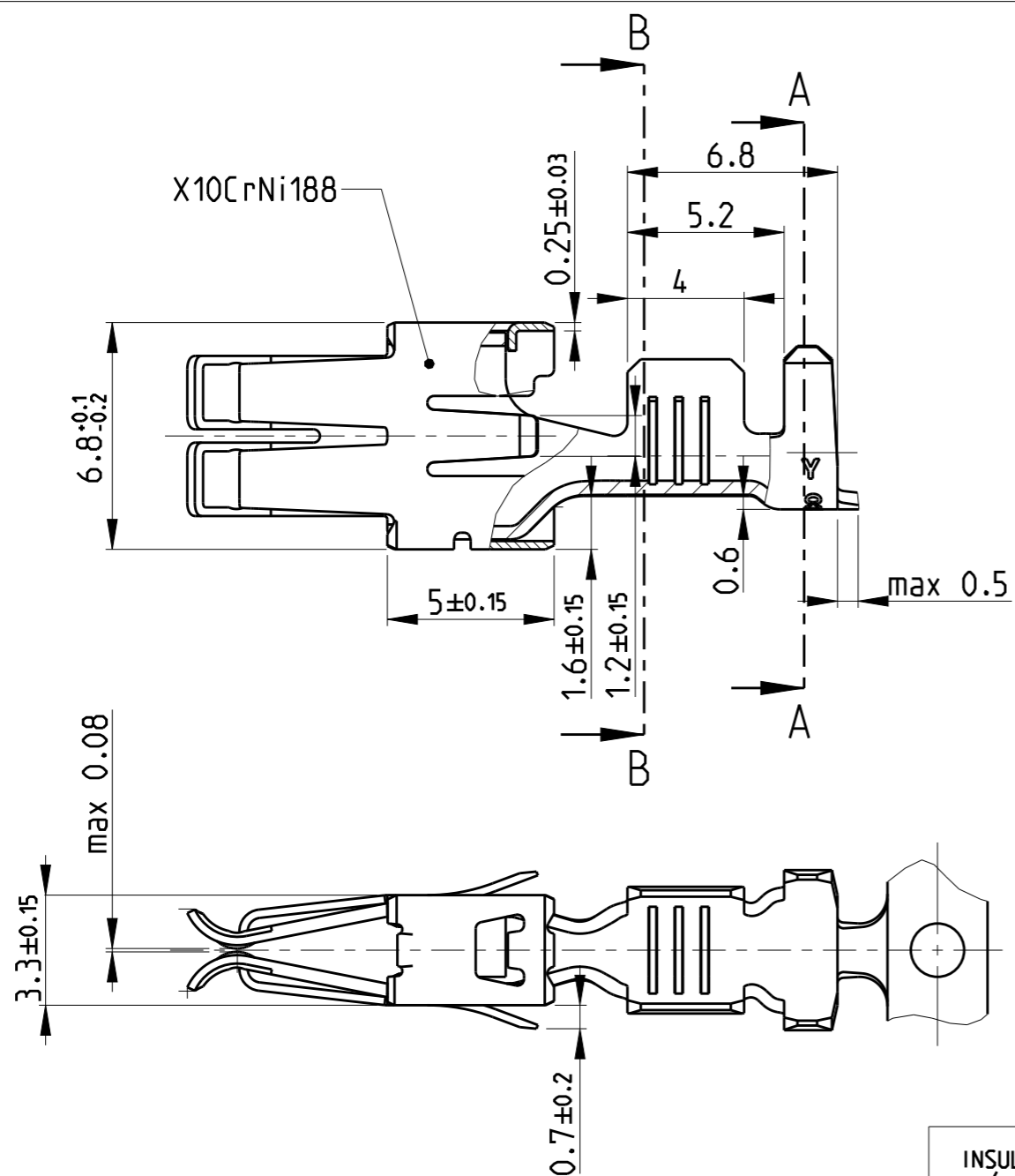
ALL RIGHTS RESERVED.

LOC DIST

REVISIONS

P	LTR	DESCRIPTION	DATE	DWN	APVD
-	-	SEE SHEET 1	-	-	-

ONLY FOR 3-964328-1
OTHER DIMENSIONS SEE SHEET 1



2:1

INSUL. RANGE Ø3.3-4.5 mm	WIRE RANGE >2.5-4.0 mm ²
--------------------------------	---

-	PRETINNED	CuFe2	3-964328-1	A
LP NO	FINISH	MATERIAL	PART NO.	REV

THIS DRAWING IS A CONTROLLED DOCUMENT.

DIMENSIONS: mm	TOLERANCES UNLESS OTHERWISE SPECIFIED: ±0.2
	0 PLC ±
	1 PLC ±
	2 PLC ±
	3 PLC ±
	4 PLC ±
	ANGLES ±°
MATERIAL	FINISH

DWN	ATZMANN	06.01.94
CHK	BARTOSCH	18.01.94
APVD	Bleicher, M.	28.11.07
PRODUCT SPEC	108-18025	
APPLICATION SPEC	114-18037	
WEIGHT	0.82 g	

TE Connectivity		NAME		RESTRICTED TO
		STANDARD POWER TIMER KONTAKT (Gerade Tulpe)		
SIZE	CAGE CODE	DRAWING NO		
A3	00779	C-964203		

Customer Drawing	SCALE	5:1	SHEET	8 OF 10	REV	10
------------------	-------	-----	-------	---------	-----	----

THIS DRAWING IS UNPUBLISHED.

RELEASED FOR PUBLICATION

© COPYRIGHT -

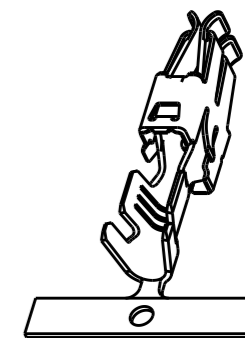
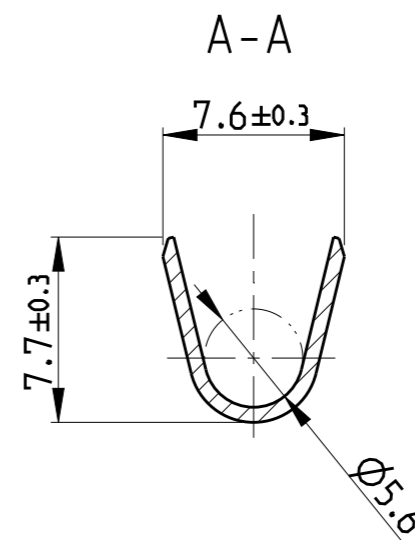
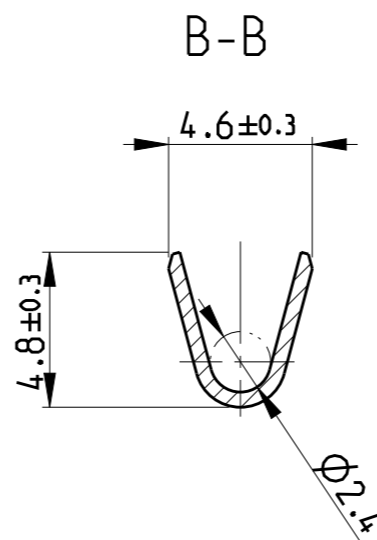
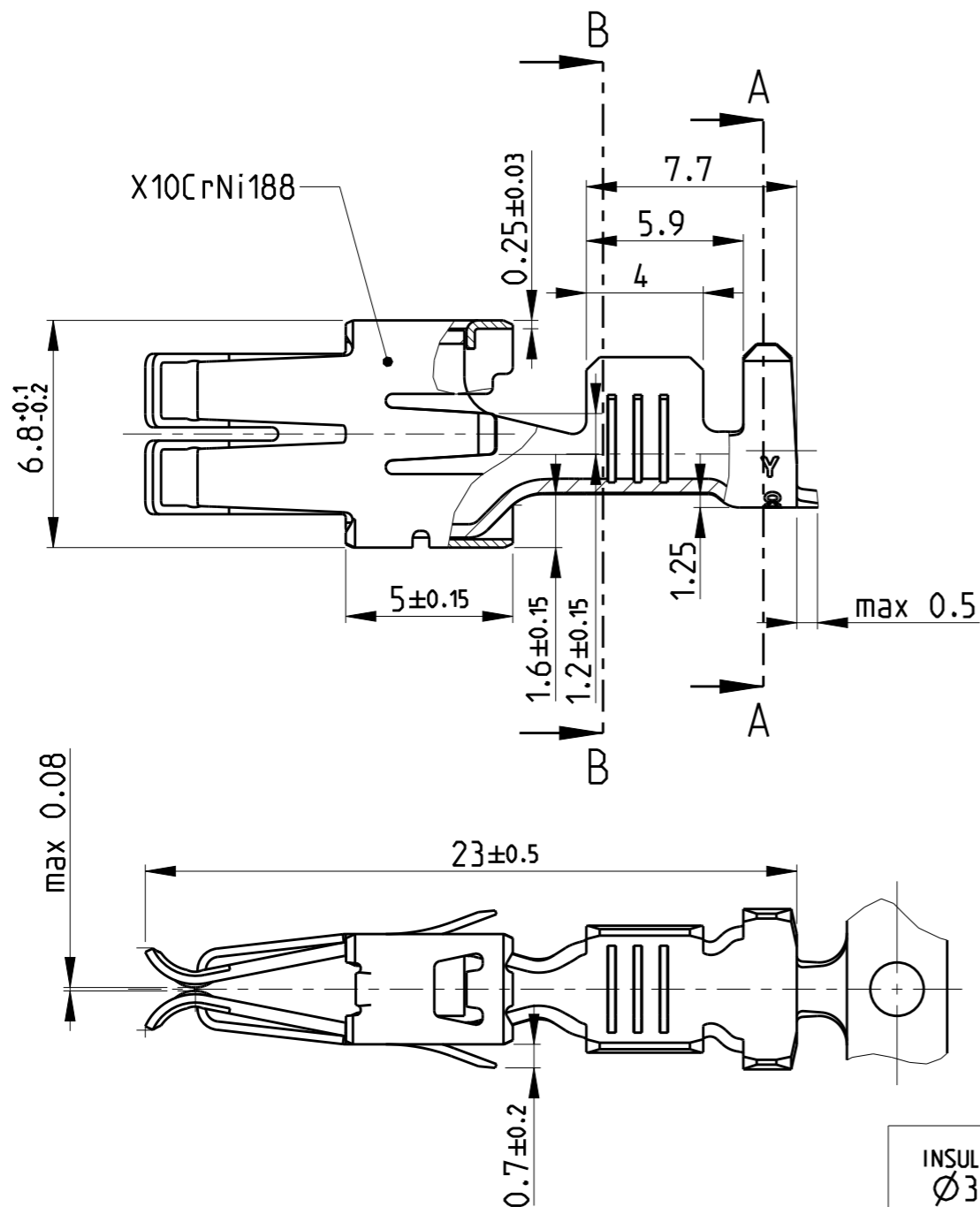
ALL RIGHTS RESERVED.

LOC DIST

REVISIONS

P	LTR	DESCRIPTION	DATE	DWN	APVD
-	-	SEE SHEET 1	-	-	-

ONLY FOR 3-968037-2
OTHER DIMENSIONS SEE SHEET 1



2:1

INSUL. RANGE Ø3.4-3.7 mm	WIRE RANGE >2.5-4.0 mm ²
--------------------------------	---

-	PRETINNED	CuSn4	3-968037-2	A
LP NO	FINISH	MATERIAL	PART NO.	REV

THIS DRAWING IS A CONTROLLED DOCUMENT.

DIMENSIONS: mm	TOLERANCES UNLESS OTHERWISE SPECIFIED: ±0.2
	0 PLC ±
	1 PLC ±
	2 PLC ±
	3 PLC ±
	4 PLC ±
	ANGLES ±1°
MATERIAL	FINISH

DWN	ATZMANN	06.01.94
CHK	BARTOSCH	18.01.94
APVD	Bleicher, M.	28.11.07
PRODUCT SPEC	108-18025	
APPLICATION SPEC	114-18037	
WEIGHT	0.82 g	

TE Connectivity		NAME		RESTRICTED TO
		STANDARD POWER TIMER KONTAKT (Gerade Tulpe)		
SIZE	CAGE CODE	DRAWING NO		
A3	00779	C-964203		

Customer Drawing	SCALE	5:1	SHEET	9 OF 10	REV	10
------------------	-------	-----	-------	---------	-----	----

THIS DRAWING IS UNPUBLISHED.

RELEASED FOR PUBLICATION

© COPYRIGHT -

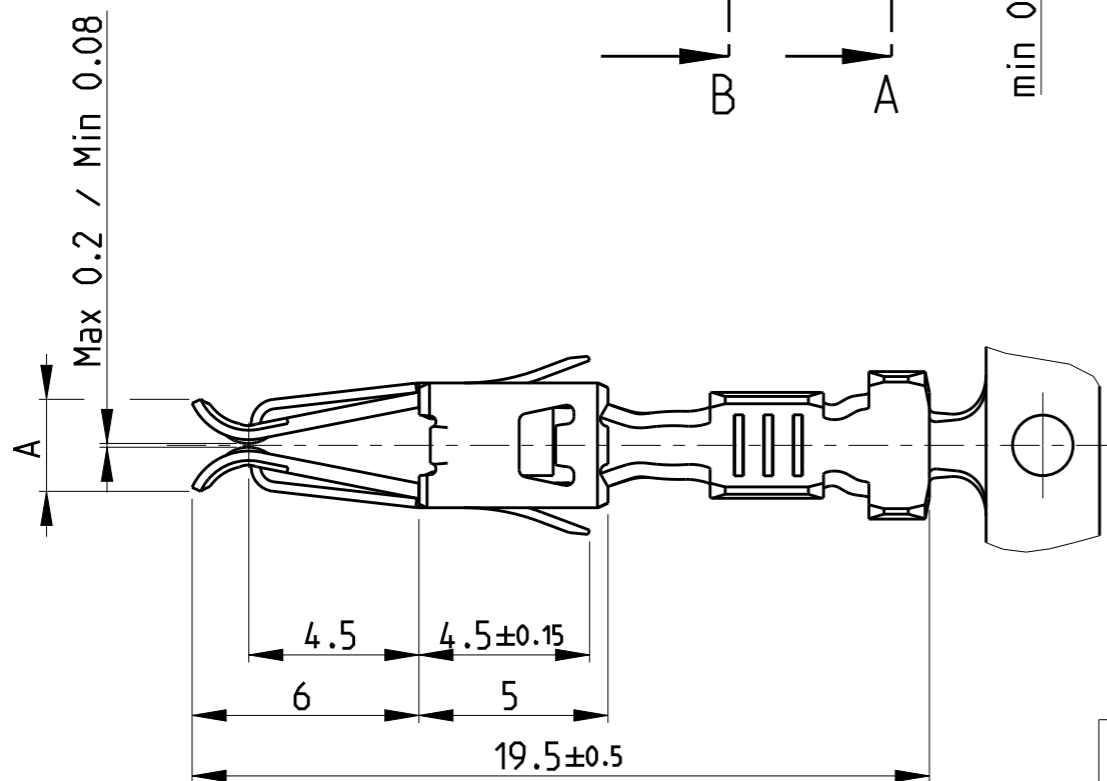
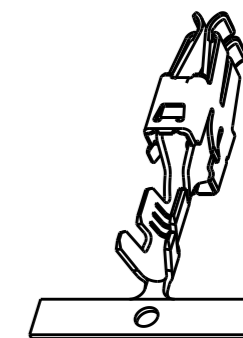
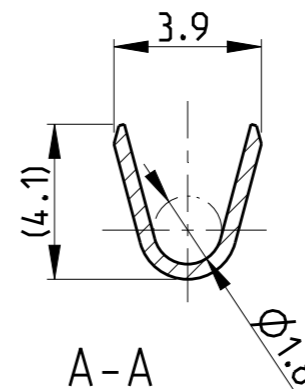
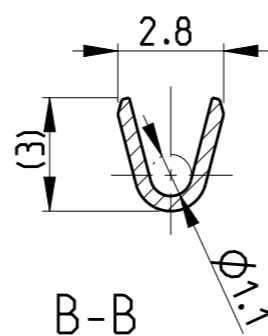
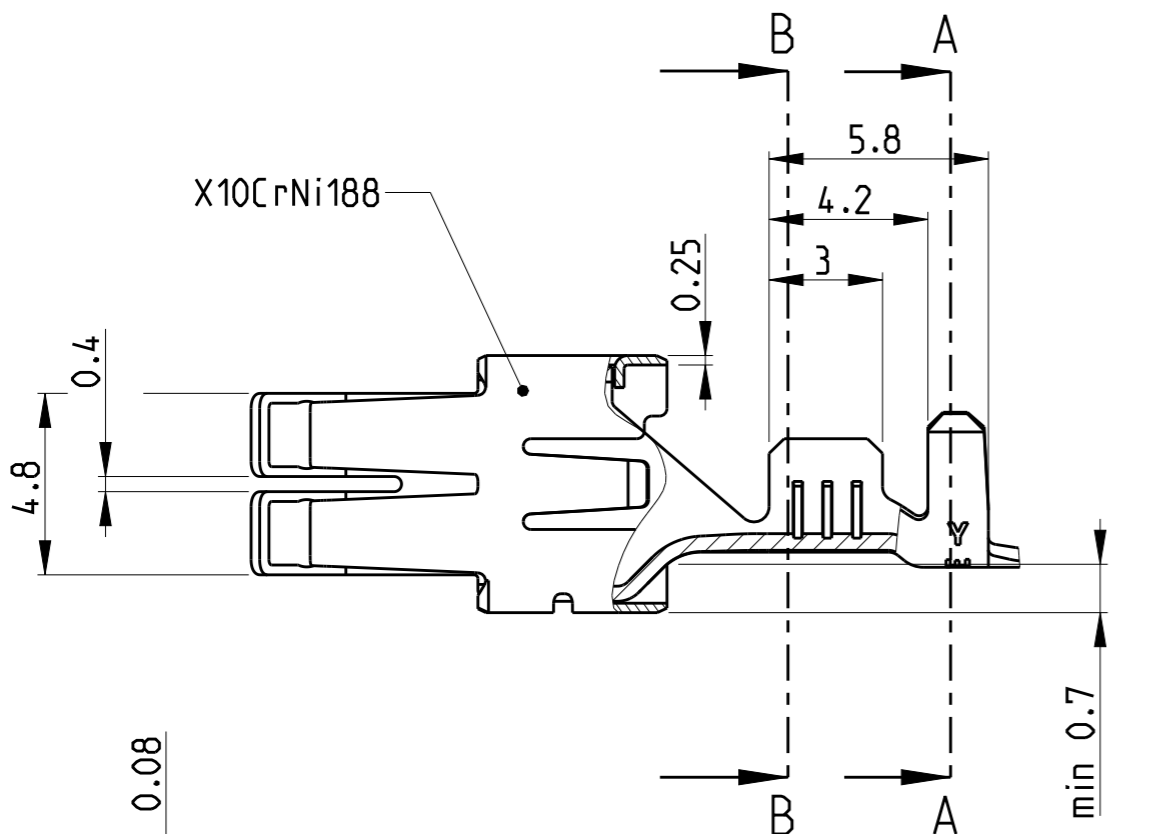
ALL RIGHTS RESERVED.

LOC
A1

DIST
-

REVISIONS

P	LTR	DESCRIPTION	DATE	DWN	APVD
		SEE SHEET 1			



INSUL. RANGE $\phi 1.4-2.3$ mm	WIRE RANGE 0.5-1.0 mm ²
--------------------------------------	--

2.5	vorversilbert/PRESILVERED 1-1.5 μ m	CuSn4	$\triangle 2$ 1-964203-4
A	FINISH	MATERIAL	PART NO.

THIS DRAWING IS A CONTROLLED DOCUMENT.

DIMENSIONS: mm	TOLERANCES UNLESS OTHERWISE SPECIFIED: ± 0.2
	0 PLC \pm 1 PLC \pm 2 PLC \pm 3 PLC \pm 4 PLC \pm ANGLES $\pm 1^\circ$
MATERIAL -	FINISH -

DWN	ATZMANN	06.01.94
CHK	BARTOSCH	18.01.94
APVD	Bleicher, M.	28.11.07
PRODUCT SPEC	108-18025	
APPLICATION SPEC	114-18037	
WEIGHT	0.82 g	

STE TE Connectivity			
NAME STANDARD POWER TIMER KONTAKT (Gerade Tulpe)			
SIZE	CAGE CODE	DRAWING NO	RESTRICTED TO
A3	00779	C-964203	-

Customer Drawing	SCALE 5:1	SHEET 10 OF 10	REV 10
------------------	-----------	----------------	--------