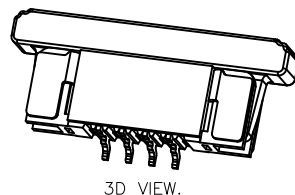
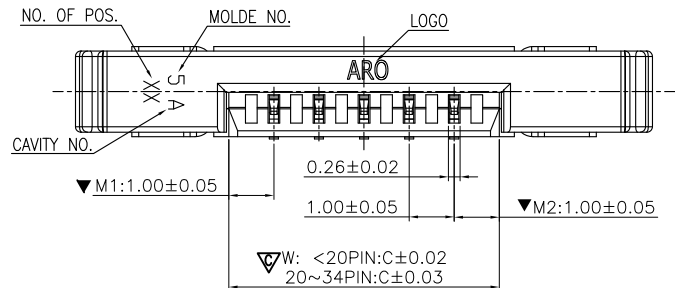
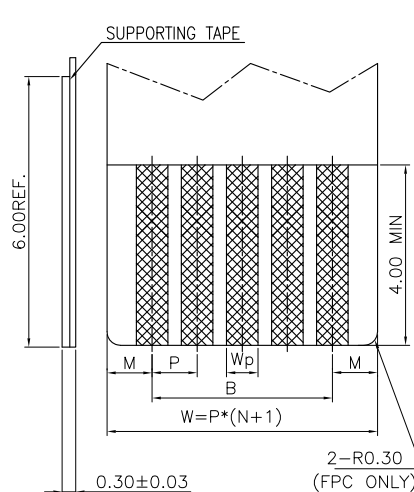
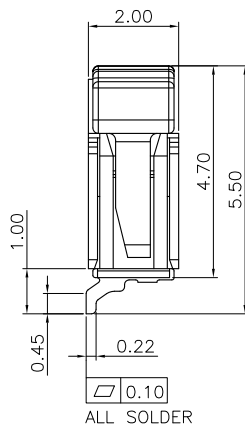
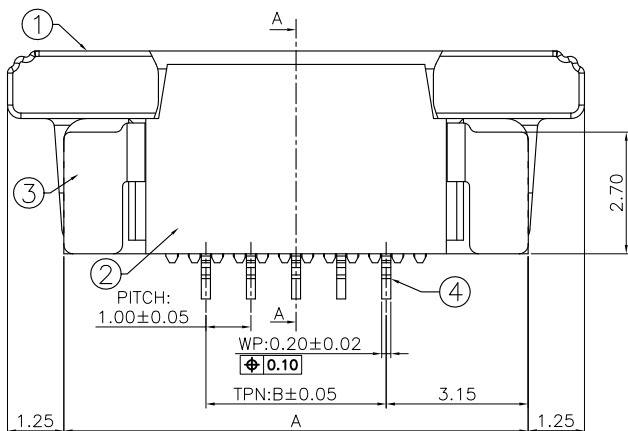


This document is the property of and embodies CONFIDENTIAL and PROPRIETARY information of AOR. No part of the information shown on this document may be used in any way or disclosed to others without the written consent of AOR. © 2019 AOR



3D VIEW.



NOTE:  
 1. ALL MATERIAL MUST BE COMPLY WITH SS-00259 OR RoHS.  
 2. "▼" MARK IS IMPORTANT DIMENSIONS  
 3. "▽" MARK IS CPK AND X-R DIMENSION  
 4. PART NO. LEGEND:  
 F52R-1A\*\*1-110\*\*

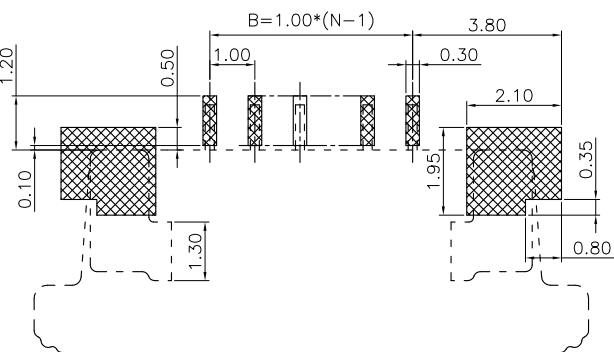
NO. OF POSITIONS  
 7H: PHOSPHOR BRONZE  
 0.05um MIN Au/Au Area)  
 7A: PHOSPHOR BRONZE  
 MATTER TIN  
 1A: LCP NATURAL

DIMENSION LIST:

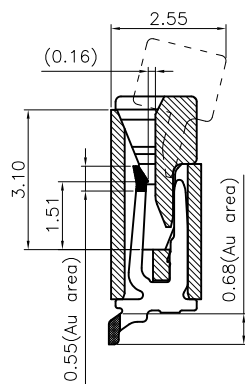
NO. OF POS.	A	B	C	NO. OF POS.	A	B	C
4	9.30	3.00	5.00	20	25.30	19.00	21.01
5	10.30	4.00	6.00	21	26.30	20.00	22.01
6	11.30	5.00	7.00	22	27.30	21.00	23.01
7	12.30	6.00	8.00	23	28.30	22.00	24.01
8	13.30	7.00	9.00	24	29.30	23.00	25.01
9	14.30	8.00	10.00	25	30.30	24.00	26.01
10	15.30	9.00	11.00	26	31.30	25.00	27.01
11	16.30	10.00	12.00	27	32.30	26.00	28.01
12	17.30	11.00	13.00	28	33.30	27.00	29.01
13	18.30	12.00	14.00	29	34.30	28.00	30.01
14	19.30	13.00	15.00	30	35.30	29.00	31.01
15	20.30	14.00	16.00	31	36.30	30.00	32.01
16	21.30	15.00	17.00	32	37.30	31.00	33.01
17	22.30	16.00	18.00	33	38.30	32.00	34.01
18	23.30	17.00	19.00	34	39.30	33.00	35.01
19	24.30	18.00	20.00				

APPLICABLE FPC/FCC

	FPC	FFC
M	1.0±0.05	1.0±0.05
P	1.0±0.03	1.0±0.03
B	B±0.05	B±0.05
W	W±0.05	W±0.05
Wp	0.75±0.03	0.70±0.03



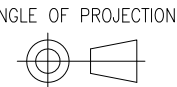
P.C.B LAYOUT(REFERENCE)



SECTION A-A

UNLESS OTHERWISE SPECIFIED TOLERANCES

X.	±0.30	X. '	± 5'
X.X	±0.25	X.X '	± 4'
X.XX	±0.20	X.XX '	± 3'
X.XXX	±0.15	X.XXX '	± 2'
LINEAR DIMS		ANGLES DIMS	
DWG NO.:	A-S0244		
MATERIAL	SEE NOTES		
FINISHED	SEE NOTES		



Customer Drw

DATE	May.Wang 2014-12-24
DATE	May.Wang 2014-12-24
DATE	Rain.Han 2014-12-24
DATE	Leo.Liu 2014-12-24



Amphenol Aorora Technology (Huizhou) Co.,Ltd

TITLE:  
 FPC P1.0 CONN ZIF R/A  
 TYPE SMT(BOTTOM CONTACT)

SIZE	A4	PART NUMBER:	F52R-1A**1-110**	REV.	B
SCALE	5:1	UNIT	mm	SHEET	1 OF 2

REV.	ECR/ECN No.	DESCRIPTION	DRAWN/DATE	CHECKED/DATE	APPROVED/DATE
A	/	NEW RELEASE	May.Wang 2014-12-24	Rain.Han 2014-12-24	Leo.Liu 2014-12-24
B	/	Update the drawing frame	May.Wang 2020-08-12	Rain.Han 2020-08-12	Leo.Liu 2020-08-12

NO.	COMPONENTS	MATERIALS	SPECIFICATION:FINISH/COLOR	QTY.
1	SLIDER	GLASS FILLED PA9T, UL94V-0	BLACK	1
2	HOUSING	GLASS FILLED LCP, UL94V-0	NATURAL	1
3	ANCHOR-PLATE	BRASS, T=0.20mm	SURFACE PLATING:2~5 um Sn UNDER PLATING:1~3 um Ni	2
4	CONTACT	PHOSPHOR BRONZE, T=0.20mm	SURFACE PLATING:SEE "NOTE" UNDER PLATING:1~3 um Ni	N

1 | 2 | 3 | 4

1. PACKING INTO REEL:

**PULL OUT DIRECTION**

12.00±0.10, 4.00±0.10, 2.00±0.20,  $\phi 1.50^{+0.10}_{-0.00}$ , 0.35±0.05

A±0.30, B, 1.75±0.1

Cover tape, Tarrier tape

4pin~17pin view

12.00±0.1, 4.00±0.1, 2.00±0.20,  $\phi 1.50^{+0.10}_{-0.00}$ , 0.35±0.05

A±0.30, B, C, 1.75±0.1

Cover tape, "D"

SECTION C-C

18pin~70pin view

1.50±0.05, 1.75±0.05

DETAIL "D"

2±0.5

**PULL OUT DIRECTION**

$\phi 330$ ,  $\phi 100$

Outer $\phi 13$ "; Inner $\phi 100$ \*A  
REEL PAN

(COVER)100mm Min.

**PULL OUT DIRECTION**

160~200mm, 1,800PCS, 200~300mm

TAIL PART (EMPTY) COMPONENT SUPPLIER LEADER PART (EMPTY)

LIST:

NO.	DIM	A	B	N	TOL:PCS
3~8 PIN		24.0	11.50	10	18000
9~13PIN		32.0	28.40	8	14400
14~24 PIN		44.0	40.40	6	10800
25~34 PIN		56.0	52.40	5	9000

NOTES:

- MATERIAL:
  - CARRY TAPE:HIPS,T=0.35mm,CLEAR
  - REEL:HIPS,BLUE.
  - SHIM:PE,CLEAR.
- PRIMARY PACKING:1,800PCS/REEL.
- SECONDARY PACKING:"N"REELS/CARTON  
("TOTAL"=N\*1800/CARTON).
- PEELING RESISTANCE: 0.1N~0.7N(10~70gf);  
PEELING ANGLE: 165°~180°;  
PEELING SPEED: 300mm/minutes.

2:PACKING INTO OUTER BOX

AIR CAP 2PCS  
L332\*W332\*H(3~4)

Vacuum bag  
L550\*W435\*T0.10

TOTAL N LAYERS

REEL LABEL

Waterproof bag(PE):1PCS  
L700\*W600\*T0.05

CARTON,1PCS

TRANSPARENT BULE TAPE

310  
Inner dimension

335  
Inner dimension

335  
Inner dimension

Domestic packaging

REBIBON

PROTECTIVE LAYER

Overseas packaging

This document is the property of and embodies CONFIDENTIAL and PROPRIETARY information of AOR. No part of the information shown on this document may be used in any way or disclosed to others without the written consent of AOR. © 2019 AOR

UNLESS OTHERWISE SPECIFIED TOLERANCES			ANGLE OF PROJECTION		 Amphenol Aorora Technology (Huizhou) Co.,Ltd	
X.	±0.30	X. '	± 5'			
X.X	±0.25	X.X '	± 4'	DOC TYP Customer Drw		TITLE: FPC P1.0 CONN ZIF R/A TYPE SMT(BOTTOM CONTACT)
X.XX	±0.20	X.XX '	± 3'	DRAWN DATE May 2014-12-24	SIZE A4	
X.XXX	±0.15	X.XXX '	± 2'	DESIGN DATE May 2014-12-24	PART NUMBER: F52R-1A**1-110**	REV. B
DWG NO.:	A-S0244			CHECKED DATE Rain 2014-12-24	SCALE 1:1	UNIT : mm
MATERIAL	SEE NOTES			APPROVED DATE Leo.Liu 2014-12-24	SHEET 2	OF 2
FINISHED	SEE NOTES					

1 | 2 | 3 | 4

Aor-QR-0406-A