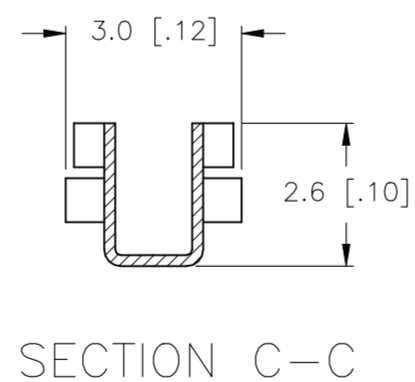
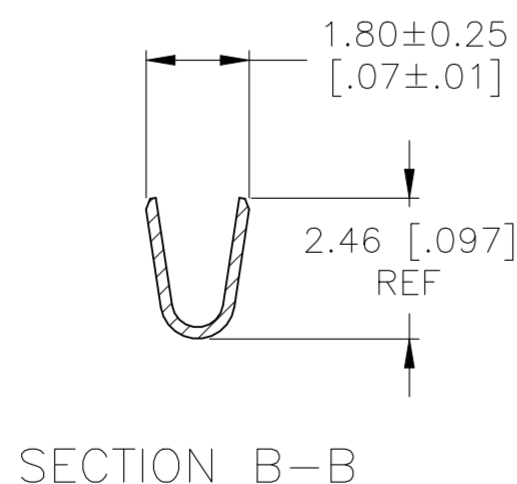
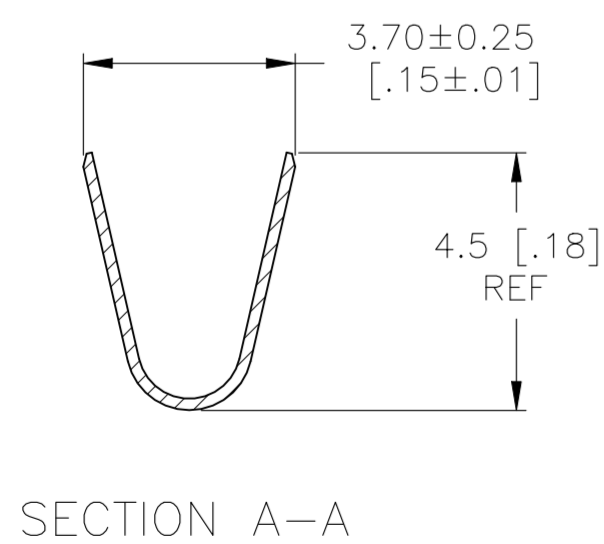
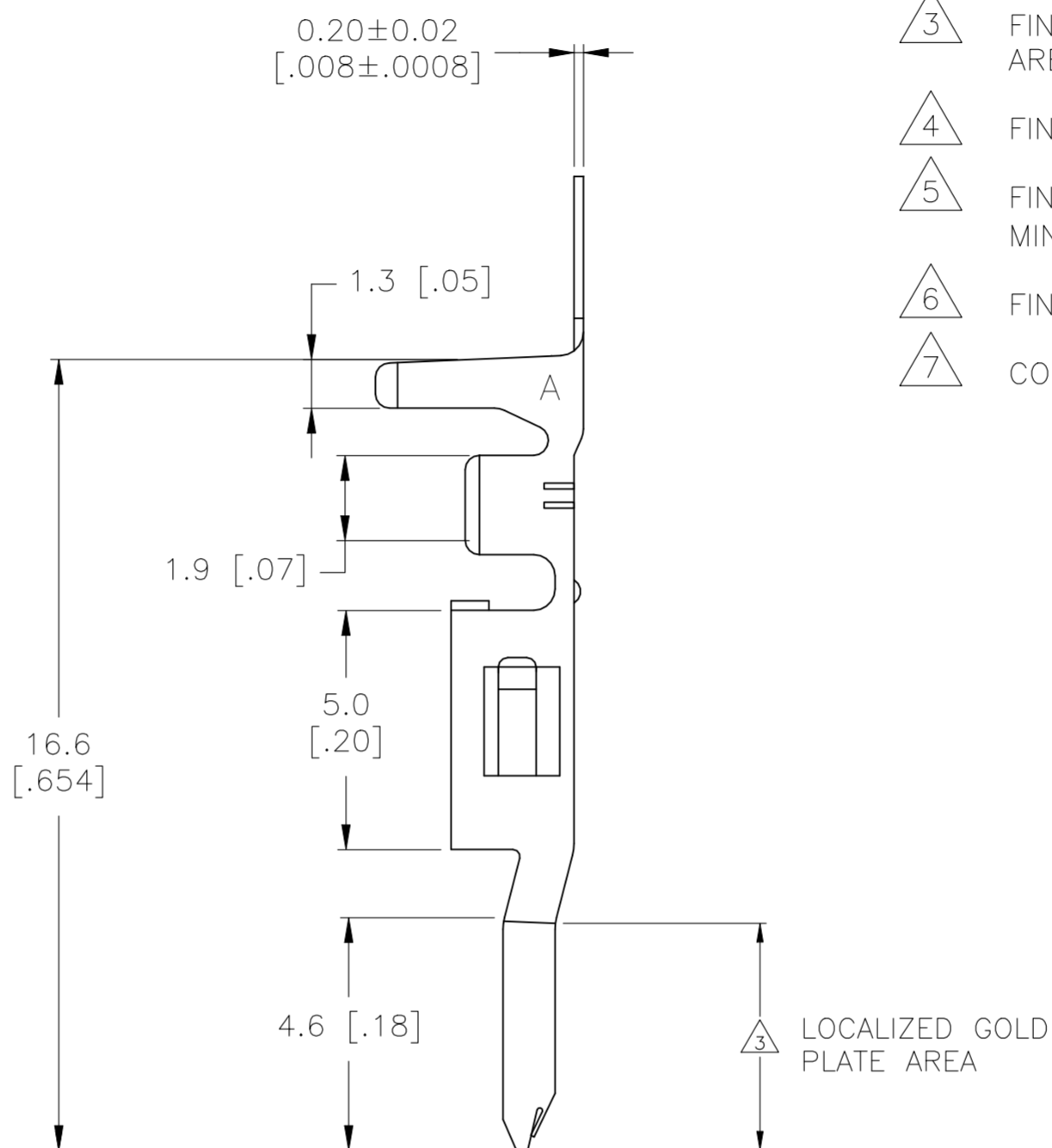
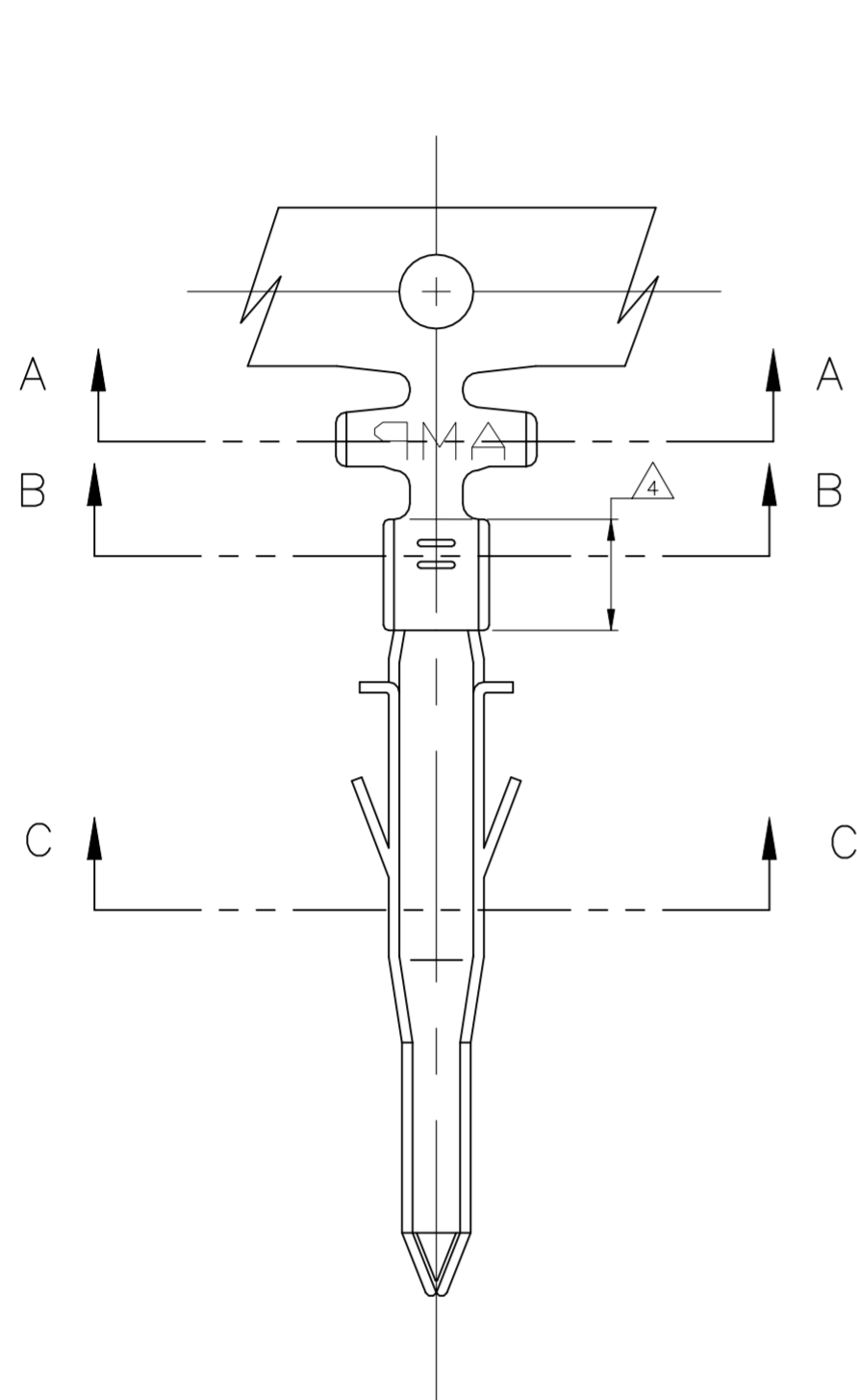


THIS DRAWING IS UNPUBLISHED. RELEASED FOR PUBLICATION  
 © COPYRIGHT - By - ALL RIGHTS RESERVED.

LOC		DIST		REVISIONS			
P	LTR	DESCRIPTION		DATE	DWN	APVD	
CM	00	H6		REVISED AS PER ECR-21-105915	07JUN2021	WH DC	

- 1 WIRE RANGE: 0.3-0.82mm<sup>2</sup> (22-18 AWG)
- 2 INSULATION RANGE: 1.50 - 3.10 DIA.
- 3 FINISH: 0.76µm MINIMUM GOLD IN LOCALIZED GOLD PLATE AREA OVER 1.27µm MINIMUM NICKEL.
- 4 FINISH: 2.54µm MINIMUM PRE-TIN IN LOCALIZED TIN PLATE AREA.
- 5 FINISH: 2.54µm MINIMUM PRE-TIN OVER 1.27µm MIN NICKEL OVERALL(BEFORE AND AFTER STAMPING)
- 6 FINISH: 2.54µm MINIMUM TIN OVER 1.27µm MIN NICKEL OVERALL
- 7 CONTACTS COATED WITH ANTI-FRETTING LUBRICANT



TIN	6 7	BRASS	794955-5
GOLD	3 4	PHOS. BRZ.	794955-4
PRE-TIN	5	PHOS. BRZ.	794955-3
GOLD	3 4	BRASS	794955-2
PRE-TIN	5	BRASS	794955-1
FINISH		MATERIAL	PART NO.

DIMENSIONS:		TOLERANCES UNLESS OTHERWISE SPECIFIED:		DWN		CHK		APVD		NAME	
mm	[INCHES]	0 PLC	±	S. HAMM	07-SEP-2001	D. COLEY	07-SEP-2001	D. COLEY	07-SEP-2001	TE Connectivity	
		1 PLC	± 0.25 [.010]	PRODUCT SPEC		108-2112		APPLICATION SPEC		TERMINAL PIN VAL-U-LOK(TM)	
		2 PLC	± 0.15 [.006]	WEIGHT		114-13172		SCALE		N/A	
		3 PLC	± -	CUSTOMER DRAWING		SCALE		SHEET		1 OF 1	
		4 PLC	± -	SCALE		N/A		REV		H6	
		ANGLES	±	SCALE		N/A		REV		H6	