

# CGA5H4X7R2J152M115AA

TDK Item Description : CGA5H4X7R2J152MT\*\*\*\*



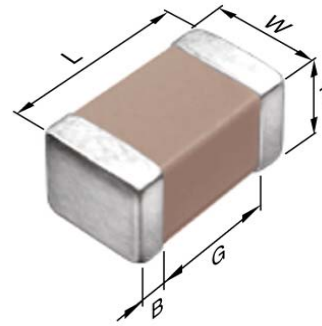
Equivalent C3216X7R2J152M for Automotive

## Application & Main Feature

Automotive Grade ( Mid Voltage (100 to 630V) )

## Series

CGA5(3216) [EIA CC1206]



## Dimensions

- L 3.20mm +/-0.2mm
- W 1.60mm +/-0.2mm
- T 1.15mm +/-0.15mm
- B 0.20mm Min.
- G 1.00mm Min.

## Temperature Characteristic

X7R (-55 to 125 degC +/-15%)

## Rated Voltage

2J (630Vdc)

## Capacitance

1.5nF

## Capacitance Tolerance

M (+/-20%)

## Dissipation Factor

3% Max.

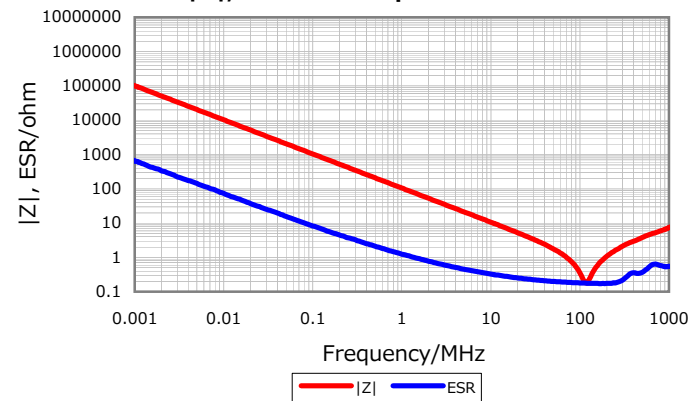
## Insulation Resistance

10Gohm Min.

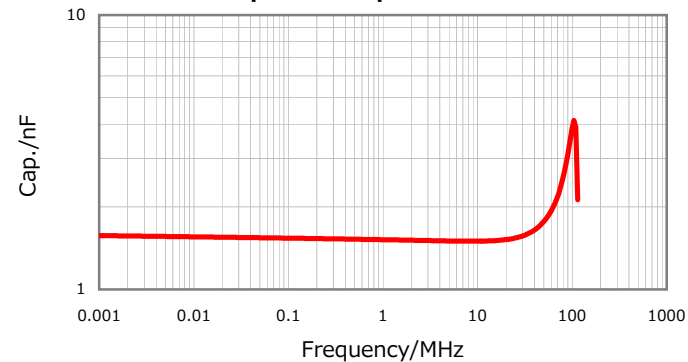
## AEC-Q200

Yes

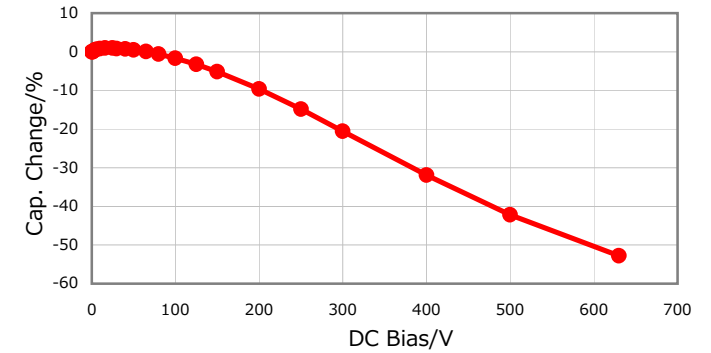
## |Z|, ESR vs. Freq. Characteristics



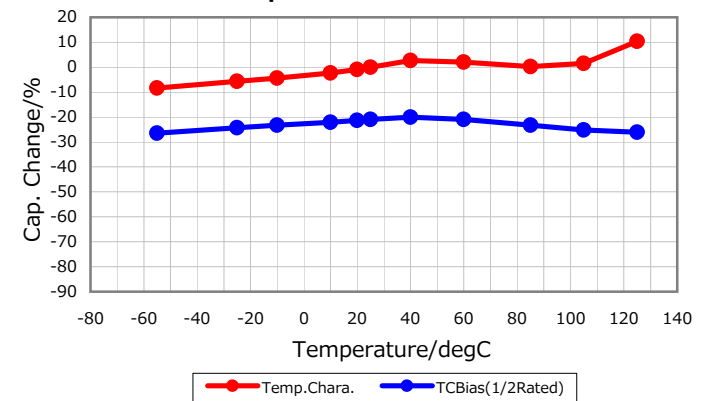
## Cap. vs. Freq. Characteristic



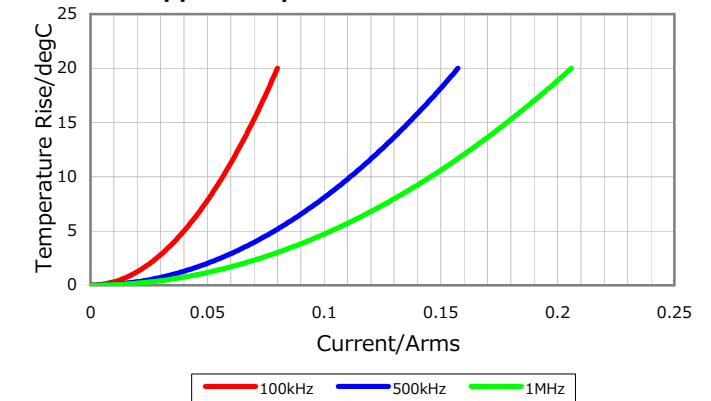
## DC Bias Characteristic



## Temperature Characteristics



## Ripple Temperature Rise Characteristics



Characterization Sheet ( Multilayer Ceramic Chip Capacitors )



All specifications are subject to change without notice.

January 4, 2016