

# Switch mode Pulse Width Modulation Control Circuit

## TL494, NCV494

The TL494 is a fixed frequency, pulse width modulation control circuit designed primarily for switch mode power supply control.

### Features

- Complete Pulse Width Modulation Control Circuitry
- On-Chip Oscillator with Master or Slave Operation
- On-Chip Error Amplifiers
- On-Chip 5.0 V Reference
- Adjustable Deadtime Control
- Uncommitted Output Transistors Rated to 500 mA Source or Sink
- Output Control for Push-Pull or Single-Ended Operation
- Undervoltage Lockout
- NCV Prefix for Automotive and Other Applications Requiring Site and Control Changes
- Pb-Free Packages are Available\*

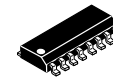
**MAXIMUM RATINGS** (Full operating ambient temperature range applies, unless otherwise noted.)

| Rating  | Symbol           | Value       | Unit                      |
|---|------------------|-------------|---------------------------|
| Power Supply Voltage                                | $V_{CC}$         | 42          | V                         |
| Collector Output Voltage                            | $V_{C1}, V_{C2}$ | 42          | V                         |
| Collector Output Current (Each transistor) (Note 1) | $I_{C1}, I_{C2}$ | 500         | mA                        |
| Amplifier Input Voltage Range                       | $V_{IR}$         | -0.3 to +42 | V                         |
| Power Dissipation @ $T_A \leq 45^\circ\text{C}$     | $P_D$            | 1000        | mW                        |
| Thermal Resistance, Junction-to-Ambient             | $R_{\theta JA}$  | 80          | $^\circ\text{C}/\text{W}$ |
| Operating Junction Temperature                      | $T_J$            | 125         | $^\circ\text{C}$          |
| Storage Temperature Range                           | $T_{stg}$        | -55 to +125 | $^\circ\text{C}$          |
| Operating Ambient Temperature Range                 | $T_A$            | -40 to +125 | $^\circ\text{C}$          |
| TL494B  |                  | 0 to +70    |                           |
| TL494C  |                  | -40 to +85  |                           |
| TL494I  |                  | -40 to +125 |                           |
| NCV494B   |                  |             |                           |
| Derating Ambient Temperature                        | $T_A$            | 45          | $^\circ\text{C}$          |

Stresses exceeding those listed in the Maximum Ratings table may damage the device. If any of these limits are exceeded, device functionality should not be assumed, damage may occur and reliability may be affected.

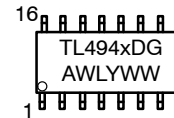
1. Maximum thermal limits must be observed.

\*For additional information on our Pb-Free strategy and soldering details, please download the onsemi Soldering and Mounting Techniques Reference Manual, SOLDERRM/D.



SOIC-16  
CASE 751B

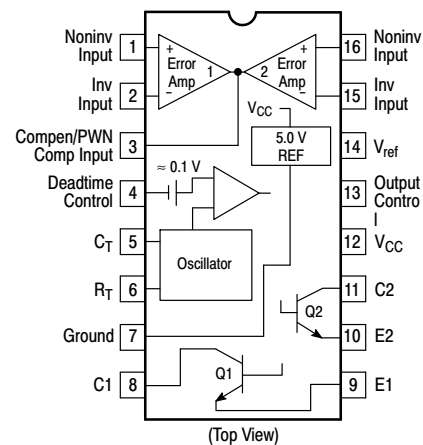
### MARKING DIAGRAMS



- x = B or C
- A = Assembly Location
- WL = Wafer Lot
- Y = Year
- WW = Work Week
- G = Pb-Free Package

\*This marking diagram also applies to NCV494.

### PIN CONNECTIONS



### ORDERING INFORMATION

See detailed ordering and shipping information in the package dimensions section on page 4 of this data sheet.

# TL494, NCV494

## RECOMMENDED OPERATING CONDITIONS

| Characteristics                            | Symbol           | Min    | Typ   | Max            | Unit       |
|--|------------------|--------|-------|----------------|------------|
| Power Supply Voltage                       | $V_{CC}$         | 7.0    | 15    | 40             | V          |
| Collector Output Voltage                   | $V_{C1}, V_{C2}$ | –      | 30    | 40             | V          |
| Collector Output Current (Each transistor) | $I_{C1}, I_{C2}$ | –      | –     | 200            | mA         |
| Amplified Input Voltage                    | $V_{in}$         | –0.3   | –     | $V_{CC} - 2.0$ | V          |
| Current Into Feedback Terminal             | $I_{fb}$         | –      | –     | 0.3            | mA         |
| Reference Output Current                   | $I_{ref}$        | –      | –     | 10             | mA         |
| Timing Resistor                            | $R_T$            | 1.8    | 30    | 500            | k $\Omega$ |
| Timing Capacitor                           | $C_T$            | 0.0047 | 0.001 | 10             | $\mu$ F    |
| Oscillator Frequency                       | $f_{osc}$        | 1.0    | 40    | 200            | kHz        |

## ELECTRICAL CHARACTERISTICS ( $V_{CC} = 15$ V, $C_T = 0.01$ $\mu$ F, $R_T = 12$ k $\Omega$ , unless otherwise noted.)

For typical values  $T_A = 25^\circ\text{C}$ , for min/max values  $T_A$  is the operating ambient temperature range that applies, unless otherwise noted.

| Characteristics | Symbol | Min | Typ | Max | Unit |
|-----------------|--------|-----|-----|-----|------|
|-----------------|--------|-----|-----|-----|------|

### REFERENCE SECTION

|   |              |      |     |      |    |
|---|--------------|------|-----|------|----|
| Reference Voltage ( $I_O = 1.0$ mA)             | $V_{ref}$    | 4.75 | 5.0 | 5.25 | V  |
| Line Regulation ( $V_{CC} = 7.0$ V to 40 V)     | $Reg_{line}$ | –    | 2.0 | 25   | mV |
| Load Regulation ( $I_O = 1.0$ mA to 10 mA)      | $Reg_{load}$ | –    | 3.0 | 15   | mV |
| Short Circuit Output Current ( $V_{ref} = 0$ V) | $I_{SC}$     | 15   | 35  | 75   | mA |

### OUTPUT SECTION

|   |                              |        |            |            |               |
|---|------------------------------|--------|------------|------------|---------------|
| Collector Off-State Current<br>( $V_{CC} = 40$ V, $V_{CE} = 40$ V)  | $I_{C(off)}$                 | –      | 2.0        | 100        | $\mu$ A       |
| Emitter Off-State Current<br>$V_{CC} = 40$ V, $V_C = 40$ V, $V_E = 0$ V)  | $I_{E(off)}$                 | –      | –          | –100       | $\mu$ A       |
| Collector-Emitter Saturation Voltage (Note 2)<br>Common-Emitter ( $V_E = 0$ V, $I_C = 200$ mA)<br>Emitter-Follower ( $V_C = 15$ V, $I_E = -200$ mA) | $V_{sat(C)}$<br>$V_{sat(E)}$ | –<br>– | 1.1<br>1.5 | 1.3<br>2.5 | V             |
| Output Control Pin Current<br>Low State ( $V_{OC} \leq 0.4$ V)<br>High State ( $V_{OC} = V_{ref}$ )   | $I_{OCL}$<br>$I_{OCH}$       | –<br>– | 10<br>0.2  | –<br>3.5   | $\mu$ A<br>mA |
| Output Voltage Rise Time<br>Common-Emitter (See Figure 12)<br>Emitter-Follower (See Figure 13)  | $t_r$                        | –<br>– | 100<br>100 | 200<br>200 | ns            |
| Output Voltage Fall Time<br>Common-Emitter (See Figure 12)<br>Emitter-Follower (See Figure 13)  | $t_f$                        | –<br>– | 25<br>40   | 100<br>100 | ns            |

2. Low duty cycle pulse techniques are used during test to maintain junction temperature as close to ambient temperature as possible.

# TL494, NCV494

## ELECTRICAL CHARACTERISTICS ( $V_{CC} = 15\text{ V}$ , $C_T = 0.01\ \mu\text{F}$ , $R_T = 12\ \text{k}\Omega$ , unless otherwise noted.)

For typical values  $T_A = 25^\circ\text{C}$ , for min/max values  $T_A$  is the operating ambient temperature range that applies, unless otherwise noted.

| Characteristics | Symbol | Min | Typ | Max | Unit |
|-----------------|--------|-----|-----|-----|------|
|-----------------|--------|-----|-----|-----|------|

### ERROR AMPLIFIER SECTION

|   |           |                      |      |      |               |
|---|-----------|----------------------|------|------|---------------|
| Input Offset Voltage ( $V_O$ (Pin 3) = 2.5 V)   | $V_{IO}$  | -                    | 2.0  | 10   | mV            |
| Input Offset Current ( $V_O$ (Pin 3) = 2.5 V)   | $I_{IO}$  | -                    | 5.0  | 250  | nA            |
| Input Bias Current ( $V_O$ (Pin 3) = 2.5 V)   | $I_{IB}$  | -                    | -0.1 | -1.0 | $\mu\text{A}$ |
| Input Common Mode Voltage Range ( $V_{CC} = 40\text{ V}$ , $T_A = 25^\circ\text{C}$ )   | $V_{ICR}$ | -0.3 to $V_{CC}-2.0$ |      |      | V             |
| Open Loop Voltage Gain ( $\Delta V_O = 3.0\text{ V}$ , $V_O = 0.5\text{ V}$ to $3.5\text{ V}$ , $R_L = 2.0\ \text{k}\Omega$ ) | $A_{VOL}$ | 70                   | 95   | -    | dB            |
| Unity-Gain Crossover Frequency ( $V_O = 0.5\text{ V}$ to $3.5\text{ V}$ , $R_L = 2.0\ \text{k}\Omega$ )                       | $f_{C-}$  | -                    | 350  | -    | kHz           |
| Phase Margin at Unity-Gain ( $V_O = 0.5\text{ V}$ to $3.5\text{ V}$ , $R_L = 2.0\ \text{k}\Omega$ )                           | $\phi_m$  | -                    | 65   | -    | deg.          |
| Common Mode Rejection Ratio ( $V_{CC} = 40\text{ V}$ )  | CMRR      | 65                   | 90   | -    | dB            |
| Power Supply Rejection Ratio ( $\Delta V_{CC} = 33\text{ V}$ , $V_O = 2.5\text{ V}$ , $R_L = 2.0\ \text{k}\Omega$ )           | PSRR      | -                    | 100  | -    | dB            |
| Output Sink Current ( $V_O$ (Pin 3) = 0.7 V)  | $I_{O-}$  | 0.3                  | 0.7  | -    | mA            |
| Output Source Current ( $V_O$ (Pin 3) = 3.5 V)  | $I_{O+}$  | 2.0                  | -4.0 | -    | mA            |

### PWM COMPARATOR SECTION (Test Circuit Figure 11)

|  |          |     |     |     |    |
|--|----------|-----|-----|-----|----|
| Input Threshold Voltage (Zero Duty Cycle)          | $V_{TH}$ | -   | 2.5 | 4.5 | V  |
| Input Sink Current ( $V_{Pin\ 3} = 0.7\text{ V}$ ) | $I_{I-}$ | 0.3 | 0.7 | -   | mA |

### DEADTIME CONTROL SECTION (Test Circuit Figure 11)

|  |              |         |          |          |               |
|--|--------------|---------|----------|----------|---------------|
| Input Bias Current (Pin 4) ( $V_{Pin\ 4} = 0\text{ V}$ to $5.25\text{ V}$ )  | $I_{IB(DT)}$ | -       | -2.0     | -10      | $\mu\text{A}$ |
| Maximum Duty Cycle, Each Output, Push-Pull Mode<br>( $V_{Pin\ 4} = 0\text{ V}$ , $C_T = 0.01\ \mu\text{F}$ , $R_T = 12\ \text{k}\Omega$ )<br>( $V_{Pin\ 4} = 0\text{ V}$ , $C_T = 0.001\ \mu\text{F}$ , $R_T = 30\ \text{k}\Omega$ ) | $DC_{max}$   | 45<br>- | 48<br>45 | 50<br>50 | %             |
| Input Threshold Voltage (Pin 4)<br>(Zero Duty Cycle)<br>(Maximum Duty Cycle)   | $V_{th}$     | -<br>0  | 2.8<br>- | 3.3<br>- | V             |

### OSCILLATOR SECTION

|  |                            |   |     |    |     |
|--|----------------------------|---|-----|----|-----|
| Frequency ( $C_T = 0.001\ \mu\text{F}$ , $R_T = 30\ \text{k}\Omega$ )  | $f_{osc}$                  | - | 40  | -  | kHz |
| Standard Deviation of Frequency* ( $C_T = 0.001\ \mu\text{F}$ , $R_T = 30\ \text{k}\Omega$ )   | $\sigma f_{osc}$           | - | 3.0 | -  | %   |
| Frequency Change with Voltage ( $V_{CC} = 7.0\text{ V}$ to $40\text{ V}$ , $T_A = 25^\circ\text{C}$ )                                    | $\Delta f_{osc}(\Delta V)$ | - | 0.1 | -  | %   |
| Frequency Change with Temperature ( $\Delta T_A = T_{low}$ to $T_{high}$ )<br>( $C_T = 0.01\ \mu\text{F}$ , $R_T = 12\ \text{k}\Omega$ ) | $\Delta f_{osc}(\Delta T)$ | - | -   | 12 | %   |

### UNDERVOLTAGE LOCKOUT SECTION

|   |          |     |      |     |   |
|---|----------|-----|------|-----|---|
| Turn-On Threshold ( $V_{CC}$ increasing, $I_{ref} = 1.0\ \text{mA}$ ) | $V_{th}$ | 5.5 | 6.43 | 7.0 | V |
|---|----------|-----|------|-----|---|

### TOTAL DEVICE

|  |          |        |            |          |    |
|--|----------|--------|------------|----------|----|
| Standby Supply Current (Pin 6 at $V_{ref}$ , All other inputs and outputs open)<br>( $V_{CC} = 15\text{ V}$ )<br>( $V_{CC} = 40\text{ V}$ )                        | $I_{CC}$ | -<br>- | 5.5<br>7.0 | 10<br>15 | mA |
| Average Supply Current<br>( $C_T = 0.01\ \mu\text{F}$ , $R_T = 12\ \text{k}\Omega$ , $V_{(Pin\ 4)} = 2.0\text{ V}$ )<br>( $V_{CC} = 15\text{ V}$ ) (See Figure 12) |          | -      | 7.0        | -        | mA |

\* Standard deviation is a measure of the statistical distribution about the mean as derived from the formula,  $\sigma$

$$\sigma = \sqrt{\frac{\sum_{n=1}^N (X_n - \bar{X})^2}{N - 1}}$$

# TL494, NCV494

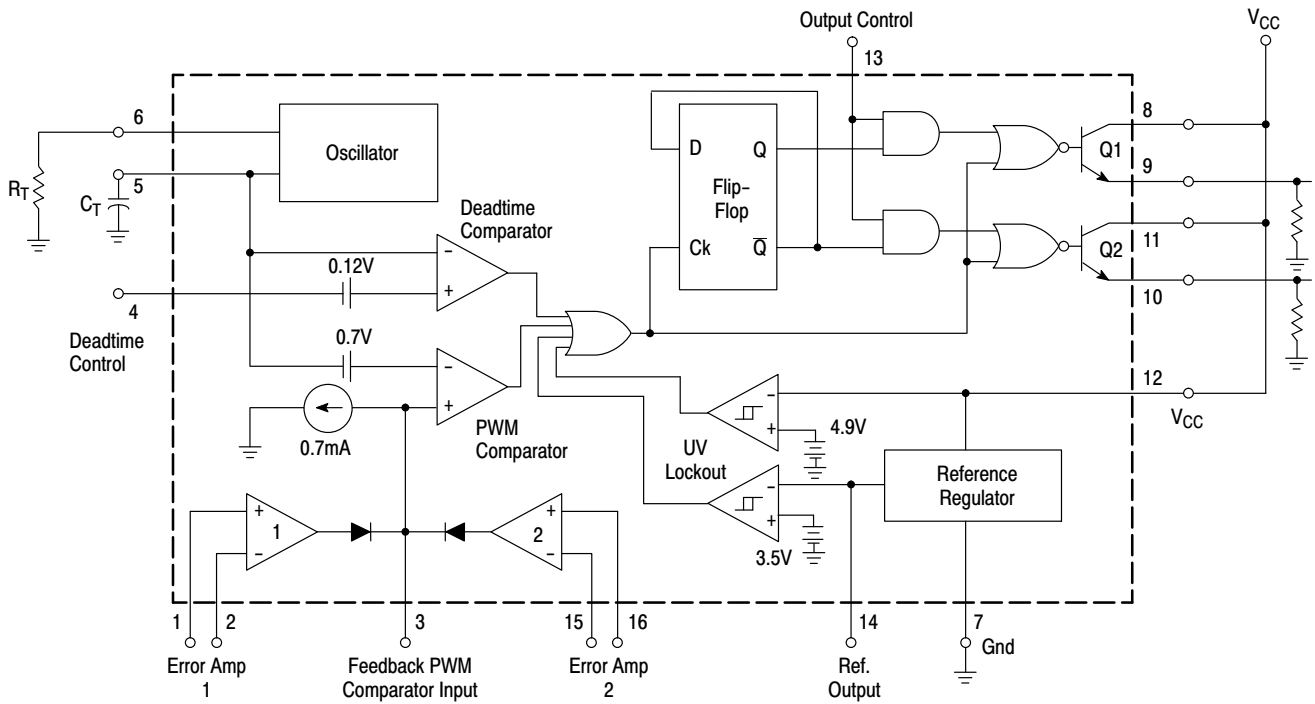
## ORDERING INFORMATION

| Device       | Package              | Shipping†        |
|--------------|----------------------|------------------|
| TL494BDR2G   | SOIC-16<br>(Pb-Free) | 2500 Tape & Reel |
| TL494CDR2G   | SOIC-16<br>(Pb-Free) | 2500 Tape & Reel |
| NCV494BDR2G* | SOIC-16<br>(Pb-Free) | 2500 Tape & Reel |

†For information on tape and reel specifications, including part orientation and tape sizes, please refer to our Tape and Reel Packaging Specifications Brochure, BRD8011/D.

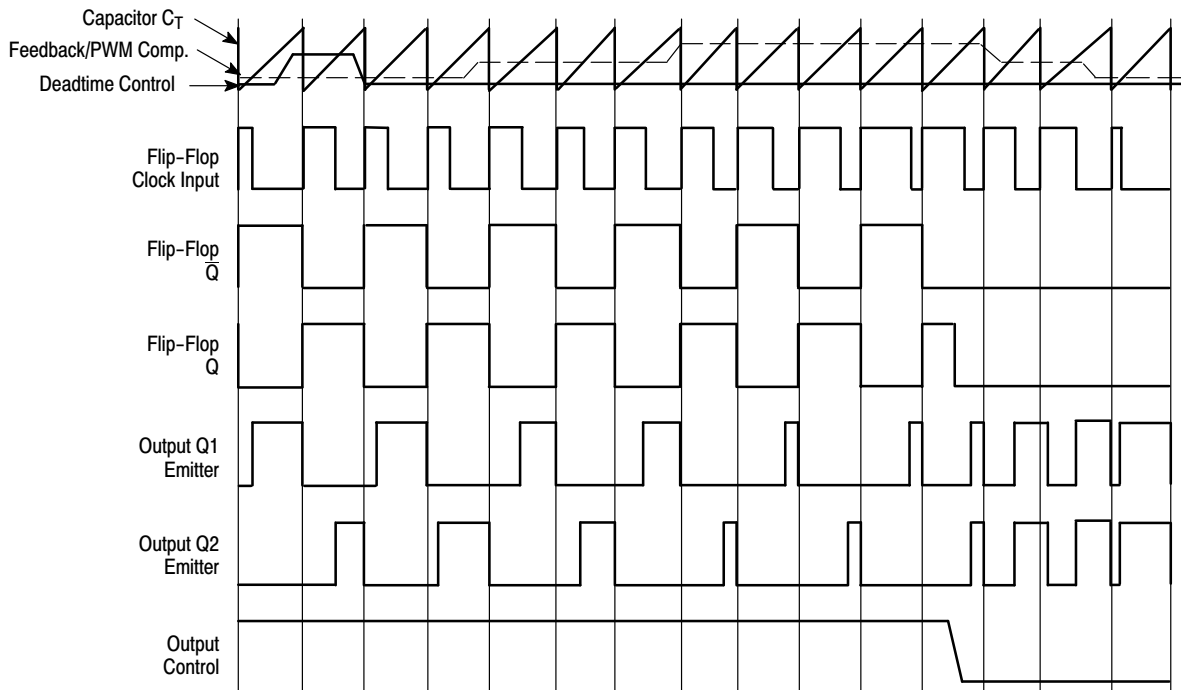
\*NCV494:  $T_{low} = -40^{\circ}\text{C}$ ,  $T_{high} = +125^{\circ}\text{C}$ . Guaranteed by design. NCV prefix is for automotive and other applications requiring site and change control.

# TL494, NCV494



This device contains 46 active transistors.

**Figure 1. Representative Block Diagram**



**Figure 2. Timing Diagram**

APPLICATIONS INFORMATION

Description

The TL494 is a fixed-frequency pulse width modulation control circuit, incorporating the primary building blocks required for the control of a switching power supply. (See Figure 1.) An internal-linear sawtooth oscillator is frequency-programmable by two external components,  $R_T$  and  $C_T$ . The approximate oscillator frequency is determined by:

$$f_{osc} \approx \frac{1.1}{R_T \cdot C_T}$$

For more information refer to Figure 3.

Output pulse width modulation is accomplished by comparison of the positive sawtooth waveform across capacitor  $C_T$  to either of two control signals. The NOR gates, which drive output transistors Q1 and Q2, are enabled only when the flip-flop clock-input line is in its low state. This happens only during that portion of time when the sawtooth voltage is greater than the control signals. Therefore, an increase in control-signal amplitude causes a corresponding linear decrease of output pulse width. (Refer to the Timing Diagram shown in Figure 2.)

The control signals are external inputs that can be fed into the deadtime control, the error amplifier inputs, or the feedback input. The deadtime control comparator has an effective 120 mV input offset which limits the minimum output deadtime to approximately the first 4% of the sawtooth-cycle time. This would result in a maximum duty cycle on a given output of 96% with the output control grounded, and 48% with it connected to the reference line. Additional deadtime may be imposed on the output by setting the deadtime-control input to a fixed voltage, ranging between 0 V to 3.3 V.

Functional Table

| Input/Output Controls | Output Function              | $\frac{f_{out}}{f_{osc}} =$ |
|-----------------------|------------------------------|-----------------------------|
| Grounded              | Single-ended PWM @ Q1 and Q2 | 1.0                         |
| @ $V_{ref}$           | Push-pull Operation          | 0.5                         |

The pulse width modulator comparator provides a means for the error amplifiers to adjust the output pulse width from the maximum percent on-time, established by the deadtime control input, down to zero, as the voltage at the feedback pin varies from 0.5 V to 3.5 V. Both error amplifiers have a

common mode input range from -0.3 V to ( $V_{CC} - 2V$ ), and may be used to sense power-supply output voltage and current. The error-amplifier outputs are active high and are ORed together at the noninverting input of the pulse-width modulator comparator. With this configuration, the amplifier that demands minimum output on time, dominates control of the loop.

When capacitor  $C_T$  is discharged, a positive pulse is generated on the output of the deadtime comparator, which clocks the pulse-steering flip-flop and inhibits the output transistors, Q1 and Q2. With the output-control connected to the reference line, the pulse-steering flip-flop directs the modulated pulses to each of the two output transistors alternately for push-pull operation. The output frequency is equal to half that of the oscillator. Output drive can also be taken from Q1 or Q2, when single-ended operation with a maximum on-time of less than 50% is required. This is desirable when the output transformer has a ringback winding with a catch diode used for snubbing. When higher output-drive currents are required for single-ended operation, Q1 and Q2 may be connected in parallel, and the output-mode pin must be tied to ground to disable the flip-flop. The output frequency will now be equal to that of the oscillator.

The TL494 has an internal 5.0 V reference capable of sourcing up to 10 mA of load current for external bias circuits. The reference has an internal accuracy of  $\pm 5.0\%$  with a typical thermal drift of less than 50 mV over an operating temperature range of 0° to 70°C.

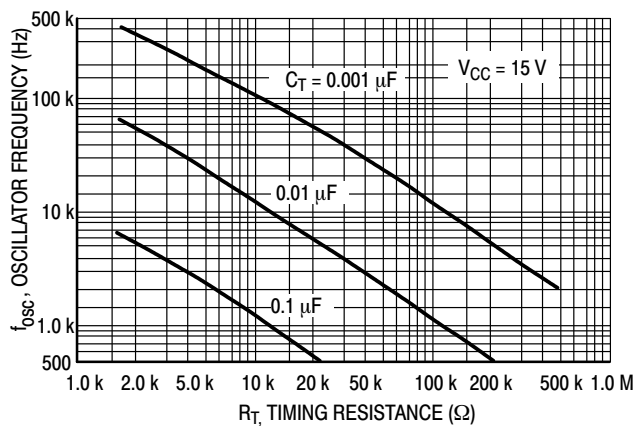


Figure 3. Oscillator Frequency versus Timing Resistance

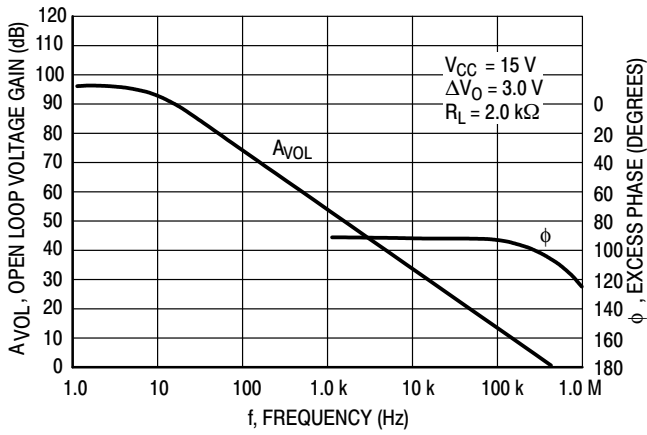


Figure 4. Open Loop Voltage Gain and Phase versus Frequency

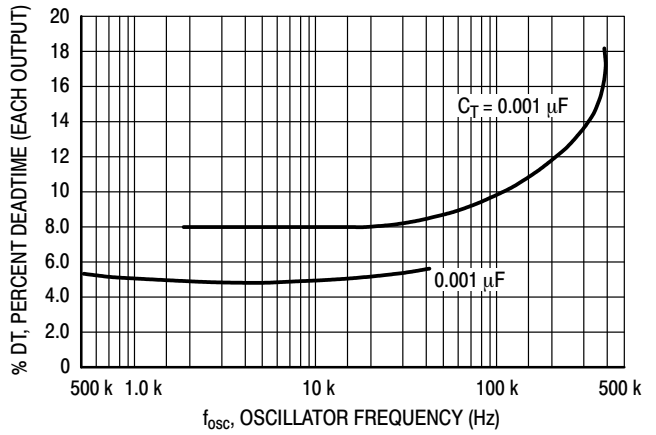


Figure 5. Percent Deadtime versus Oscillator Frequency

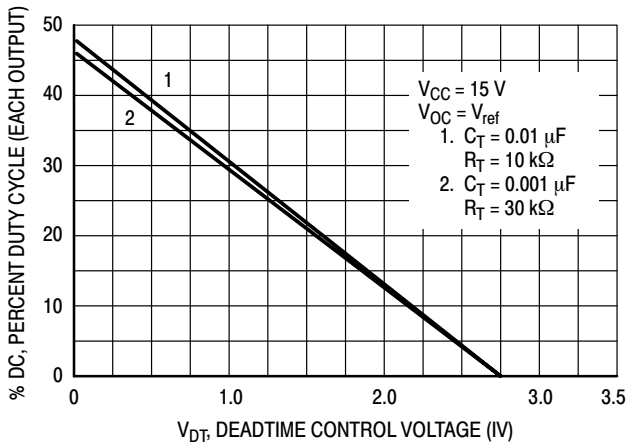


Figure 6. Percent Duty Cycle versus Deadtime Control Voltage

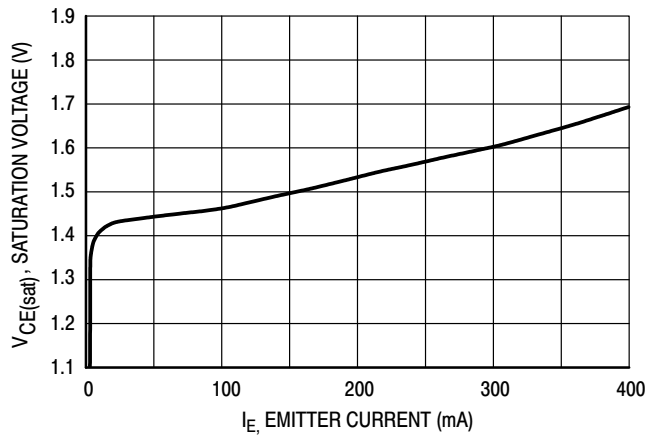


Figure 7. Emitter-Follower Configuration Output Saturation Voltage versus Emitter Current

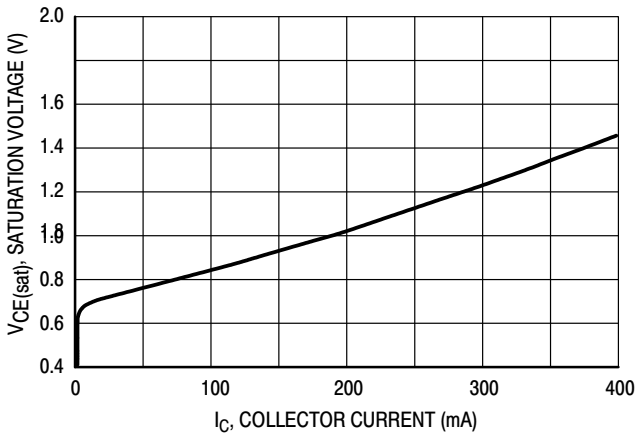


Figure 8. Common-Emitter Configuration Output Saturation Voltage versus Collector Current

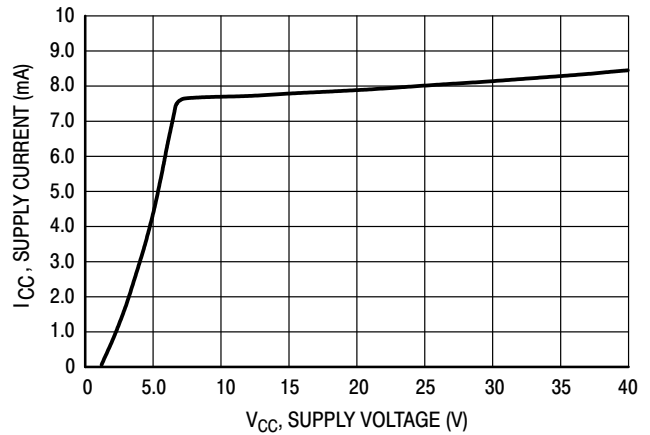


Figure 9. Standby Supply Current versus Supply Voltage

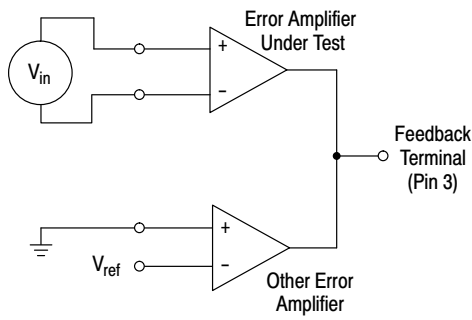


Figure 10. Error-Amplifier Characteristics

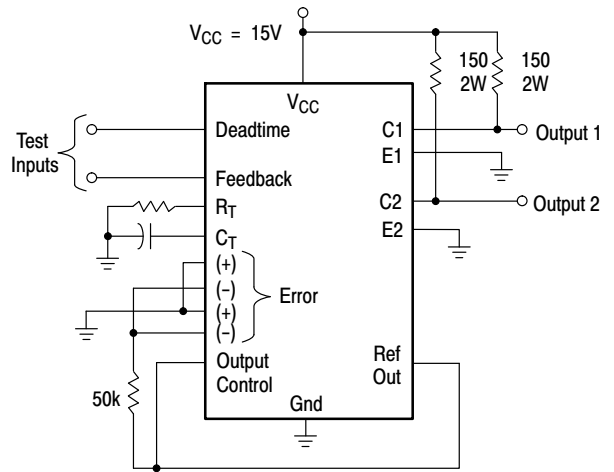


Figure 11. Deadtime and Feedback Control Circuit

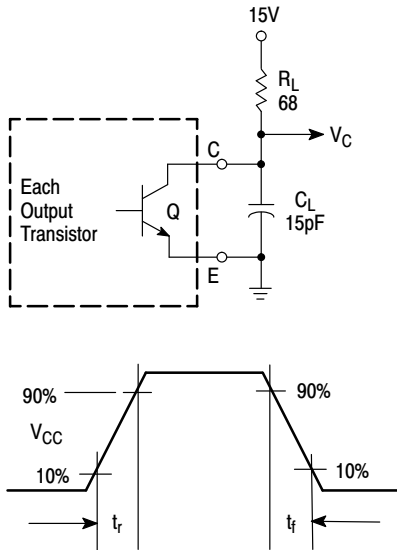


Figure 12. Common-Emitter Configuration Test Circuit and Waveform

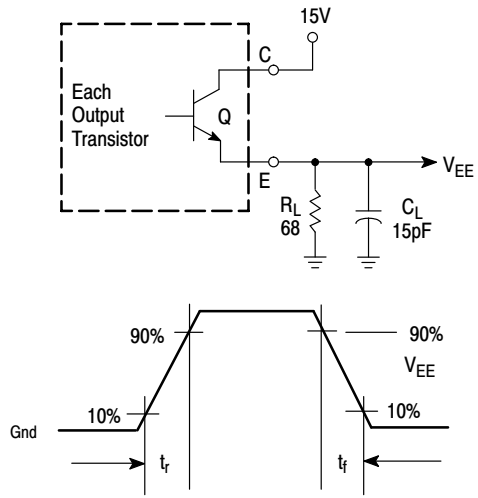


Figure 13. Emitter-Follower Configuration Test Circuit and Waveform



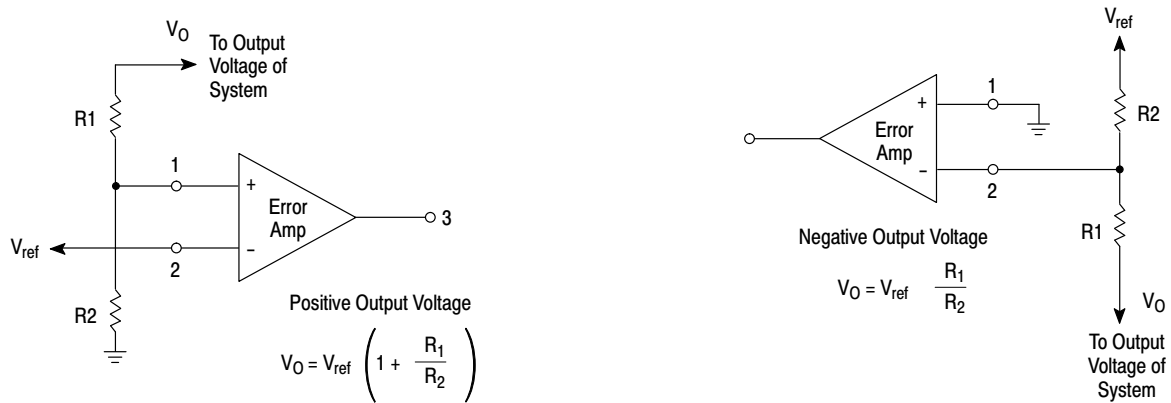
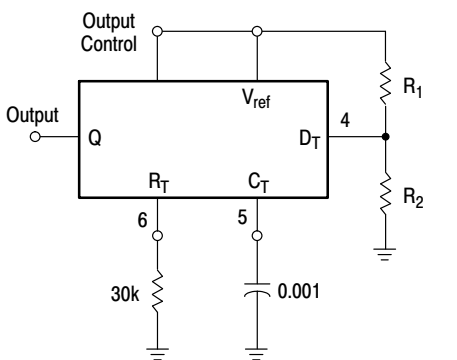


Figure 14. Error-Amplifier Sensing Techniques



Max. % on Time, each output  $\approx 45 - \left( \frac{80}{1 + \frac{R_1}{R_2}} \right)$

Figure 15. Deadtime Control Circuit

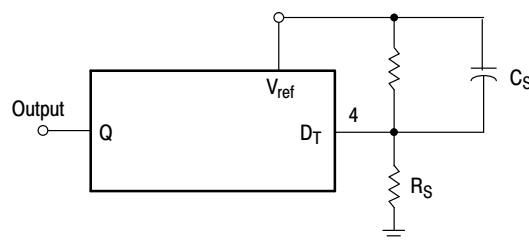


Figure 16. Soft-Start Circuit

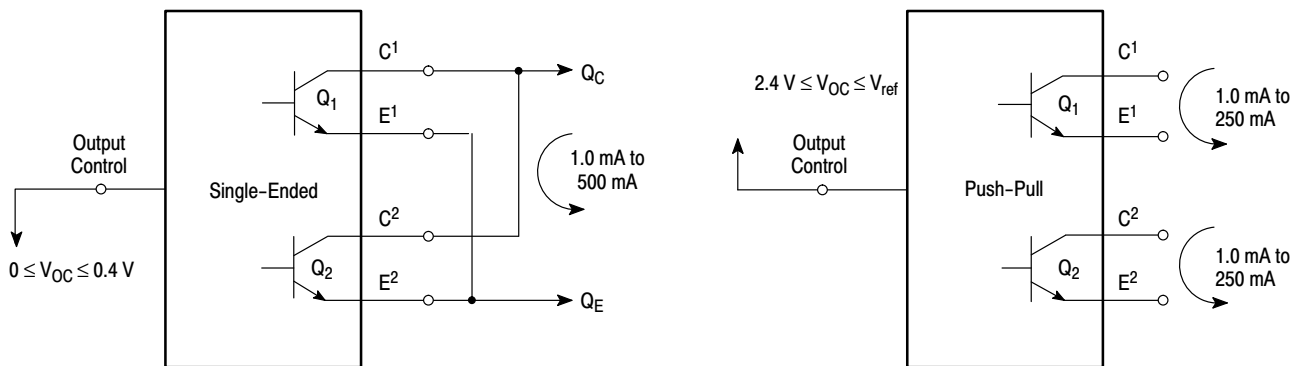


Figure 17. Output Connections for Single-Ended and Push-Pull Configurations

# TL494, NCV494

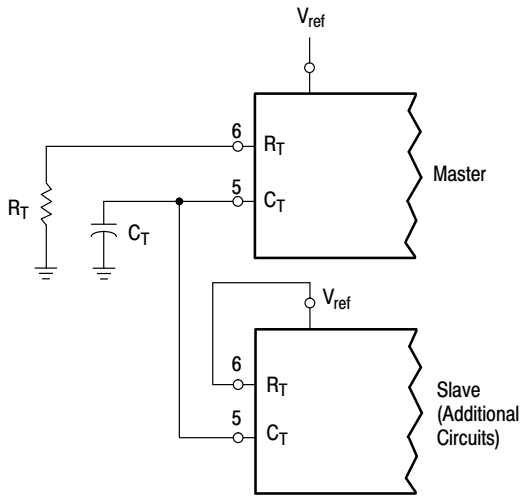


Figure 18. Slaving Two or More Control Circuits

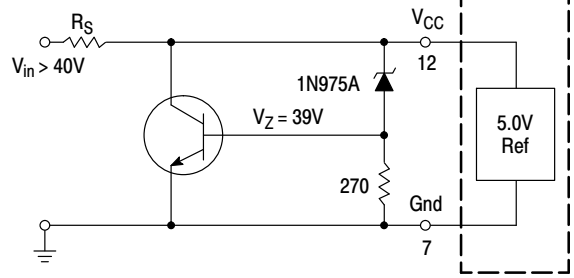


Figure 19. Operation with  $V_{in} > 40\text{ V}$  Using External Zener

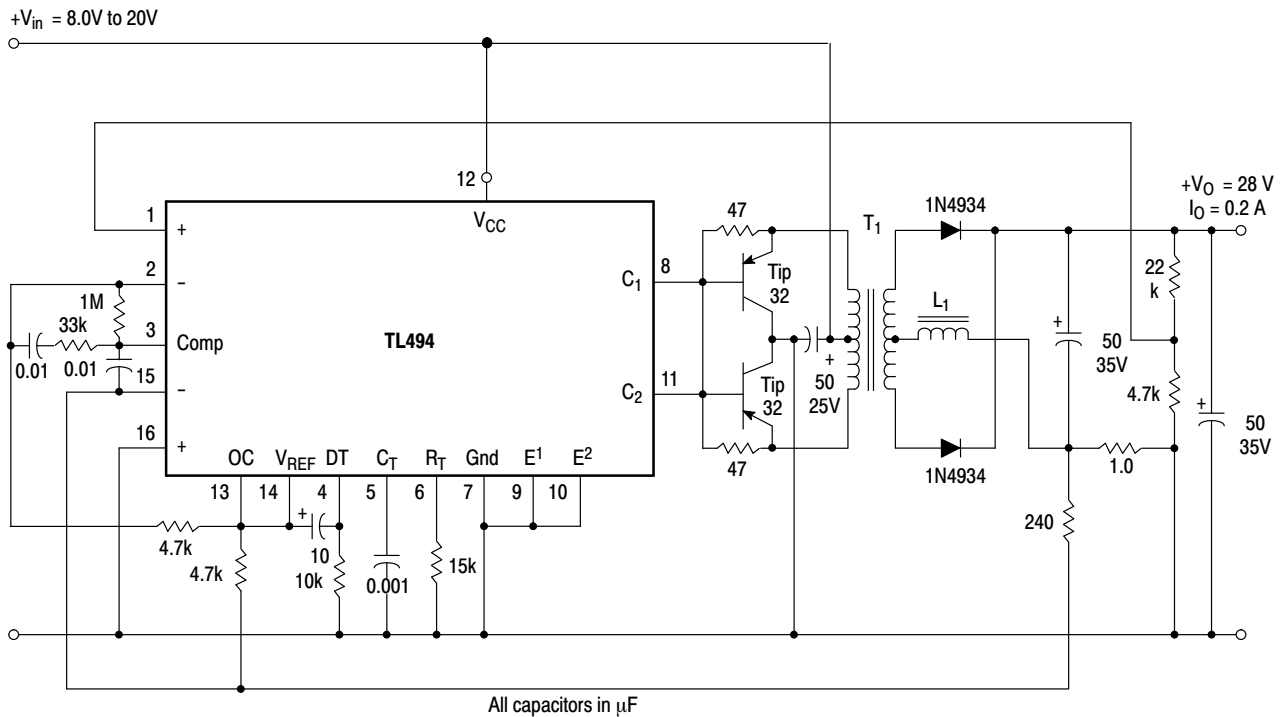
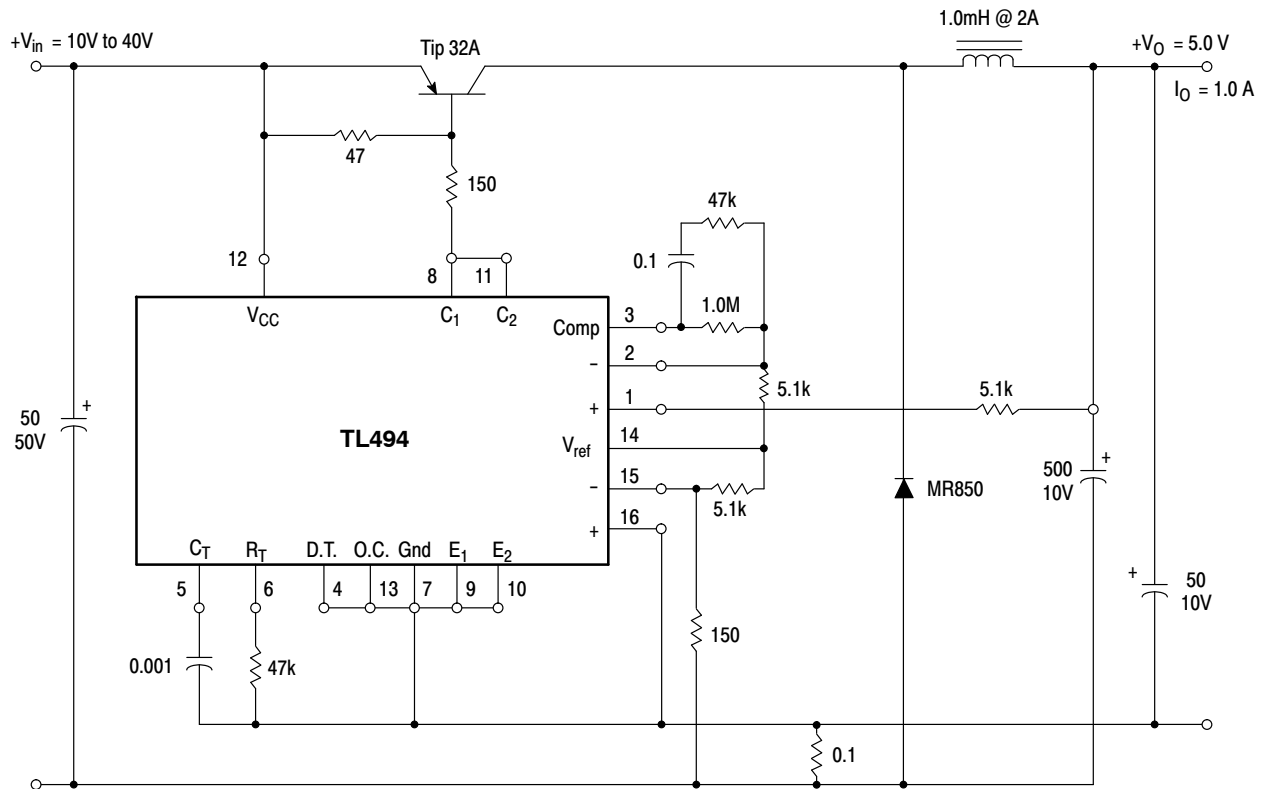


Figure 20. Pulse Width Modulated Push-Pull Converter

| Test                  | Conditions   | Results           |
|-----------------------|--|-------------------|
| Line Regulation       | $V_{in} = 10\text{ V to } 40\text{ V}$                       | 14 mV 0.28%       |
| Load Regulation       | $V_{in} = 28\text{ V}, I_O = 1.0\text{ mA to } 1.0\text{ A}$ | 3.0 mV 0.06%      |
| Output Ripple         | $V_{in} = 28\text{ V}, I_O = 1.0\text{ A}$                   | 65 mV pp P.A.R.D. |
| Short Circuit Current | $V_{in} = 28\text{ V}, R_L = 0.1\ \Omega$                    | 1.6 A             |
| Efficiency            | $V_{in} = 28\text{ V}, I_O = 1.0\text{ A}$                   | 71%               |

L1 - 3.5 mH @ 0.3 A  
 T1 - Primary: 20T C.T. #28 AWG  
 Secondary: 120T C.T. #36 AWG  
 Core: Ferroxcube 1408P-L00-3CB

## TL494, NCV494



**Figure 21. Pulse Width Modulated Step-Down Converter**

| Test                  | Conditions                                      | Results           |
|-----------------------|---|-------------------|
| Line Regulation       | $V_{in} = 8.0V \text{ to } 40V$                 | 3.0 mV 0.01%      |
| Load Regulation       | $V_{in} = 12.6V, I_O = 0.2mA \text{ to } 200mA$ | 5.0 mV 0.02%      |
| Output Ripple         | $V_{in} = 12.6V, I_O = 200mA$                   | 40 mV pp P.A.R.D. |
| Short Circuit Current | $V_{in} = 12.6V, R_L = 0.1\Omega$               | 250 mA            |
| Efficiency            | $V_{in} = 12.6V, I_O = 200mA$                   | 72%               |

# MECHANICAL CASE OUTLINE PACKAGE DIMENSIONS

ON Semiconductor®



SCALE 1:1

## SOIC-16 CASE 751B-05 ISSUE K

DATE 29 DEC 2006



NOTES:

1. DIMENSIONING AND TOLERANCING PER ANSI Y14.5M, 1982.
2. CONTROLLING DIMENSION: MILLIMETER.
3. DIMENSIONS A AND B DO NOT INCLUDE MOLD PROTRUSION.
4. MAXIMUM MOLD PROTRUSION 0.15 (0.006) PER SIDE.
5. DIMENSION D DOES NOT INCLUDE DAMBAR PROTRUSION. ALLOWABLE DAMBAR PROTRUSION SHALL BE 0.127 (0.005) TOTAL IN EXCESS OF THE D DIMENSION AT MAXIMUM MATERIAL CONDITION.

| DIM | MILLIMETERS |       | INCHES    |       |
|-----|-------------|-------|-----------|-------|
|     | MIN         | MAX   | MIN       | MAX   |
| A   | 9.80        | 10.00 | 0.386     | 0.393 |
| B   | 3.80        | 4.00  | 0.150     | 0.157 |
| C   | 1.35        | 1.75  | 0.054     | 0.068 |
| D   | 0.35        | 0.49  | 0.014     | 0.019 |
| F   | 0.40        | 1.25  | 0.016     | 0.049 |
| G   | 1.27 BSC    |       | 0.050 BSC |       |
| J   | 0.19        | 0.25  | 0.008     | 0.009 |
| K   | 0.10        | 0.25  | 0.004     | 0.009 |
| M   | 0°          | 7°    | 0°        | 7°    |
| P   | 5.80        | 6.20  | 0.229     | 0.244 |
| R   | 0.25        | 0.50  | 0.010     | 0.019 |

- |  |  |  |  |
|--|--|--|--|
| <p>STYLE 1:</p> <p>PIN 1. COLLECTOR</p> <p>2. BASE</p> <p>3. EMITTER</p> <p>4. NO CONNECTION</p> <p>5. EMITTER</p> <p>6. BASE</p> <p>7. COLLECTOR</p> <p>8. COLLECTOR</p> <p>9. BASE</p> <p>10. EMITTER</p> <p>11. NO CONNECTION</p> <p>12. EMITTER</p> <p>13. BASE</p> <p>14. COLLECTOR</p> <p>15. EMITTER</p> <p>16. COLLECTOR</p>                           | <p>STYLE 2:</p> <p>PIN 1. CATHODE</p> <p>2. ANODE</p> <p>3. NO CONNECTION</p> <p>4. CATHODE</p> <p>5. CATHODE</p> <p>6. NO CONNECTION</p> <p>7. ANODE</p> <p>8. CATHODE</p> <p>9. CATHODE</p> <p>10. ANODE</p> <p>11. NO CONNECTION</p> <p>12. CATHODE</p> <p>13. CATHODE</p> <p>14. NO CONNECTION</p> <p>15. ANODE</p> <p>16. CATHODE</p> | <p>STYLE 3:</p> <p>PIN 1. COLLECTOR, DYE #1</p> <p>2. BASE, #1</p> <p>3. EMITTER, #1</p> <p>4. COLLECTOR, #1</p> <p>5. COLLECTOR, #2</p> <p>6. BASE, #2</p> <p>7. EMITTER, #2</p> <p>8. COLLECTOR, #2</p> <p>9. COLLECTOR, #3</p> <p>10. BASE, #3</p> <p>11. EMITTER, #3</p> <p>12. COLLECTOR, #3</p> <p>13. COLLECTOR, #4</p> <p>14. BASE, #4</p> <p>15. EMITTER, #4</p> <p>16. COLLECTOR, #4</p>   | <p>STYLE 4:</p> <p>PIN 1. COLLECTOR, DYE #1</p> <p>2. COLLECTOR, #1</p> <p>3. COLLECTOR, #2</p> <p>4. COLLECTOR, #2</p> <p>5. COLLECTOR, #3</p> <p>6. COLLECTOR, #3</p> <p>7. COLLECTOR, #4</p> <p>8. COLLECTOR, #4</p> <p>9. BASE, #4</p> <p>10. EMITTER, #4</p> <p>11. BASE, #3</p> <p>12. EMITTER, #3</p> <p>13. BASE, #2</p> <p>14. EMITTER, #2</p> <p>15. BASE, #1</p> <p>16. EMITTER, #1</p> |
| <p>STYLE 5:</p> <p>PIN 1. DRAIN, DYE #1</p> <p>2. DRAIN, #1</p> <p>3. DRAIN, #2</p> <p>4. DRAIN, #2</p> <p>5. DRAIN, #3</p> <p>6. DRAIN, #3</p> <p>7. DRAIN, #4</p> <p>8. DRAIN, #4</p> <p>9. GATE, #4</p> <p>10. SOURCE, #4</p> <p>11. GATE, #3</p> <p>12. SOURCE, #3</p> <p>13. GATE, #2</p> <p>14. SOURCE, #2</p> <p>15. GATE, #1</p> <p>16. SOURCE, #1</p> | <p>STYLE 6:</p> <p>PIN 1. CATHODE</p> <p>2. CATHODE</p> <p>3. CATHODE</p> <p>4. CATHODE</p> <p>5. CATHODE</p> <p>6. CATHODE</p> <p>7. CATHODE</p> <p>8. CATHODE</p> <p>9. ANODE</p> <p>10. ANODE</p> <p>11. ANODE</p> <p>12. ANODE</p> <p>13. ANODE</p> <p>14. ANODE</p> <p>15. ANODE</p> <p>16. ANODE</p>                                 | <p>STYLE 7:</p> <p>PIN 1. SOURCE N-CH</p> <p>2. COMMON DRAIN (OUTPUT)</p> <p>3. COMMON DRAIN (OUTPUT)</p> <p>4. GATE P-CH</p> <p>5. COMMON DRAIN (OUTPUT)</p> <p>6. COMMON DRAIN (OUTPUT)</p> <p>7. COMMON DRAIN (OUTPUT)</p> <p>8. SOURCE P-CH</p> <p>9. SOURCE P-CH</p> <p>10. COMMON DRAIN (OUTPUT)</p> <p>11. COMMON DRAIN (OUTPUT)</p> <p>12. COMMON DRAIN (OUTPUT)</p> <p>13. GATE N-CH</p> <p>14. COMMON DRAIN (OUTPUT)</p> <p>15. COMMON DRAIN (OUTPUT)</p> <p>16. SOURCE N-CH</p> |  |

### SOLDERING FOOTPRINT



DIMENSIONS: MILLIMETERS

|                  |             |  |
|------------------|-------------|--|
| DOCUMENT NUMBER: | 98ASB42566B | Electronic versions are uncontrolled except when accessed directly from the Document Repository. Printed versions are uncontrolled except when stamped "CONTROLLED COPY" in red. |
| DESCRIPTION:     | SOIC-16     | PAGE 1 OF 1  |

ON Semiconductor and are trademarks of Semiconductor Components Industries, LLC dba ON Semiconductor or its subsidiaries in the United States and/or other countries. ON Semiconductor reserves the right to make changes without further notice to any products herein. ON Semiconductor makes no warranty, representation or guarantee regarding the suitability of its products for any particular purpose, nor does ON Semiconductor assume any liability arising out of the application or use of any product or circuit, and specifically disclaims any and all liability, including without limitation special, consequential or incidental damages. ON Semiconductor does not convey any license under its patent rights nor the rights of others.

**onsemi**, **Onsemi**, and other names, marks, and brands are registered and/or common law trademarks of Semiconductor Components Industries, LLC dba "**onsemi**" or its affiliates and/or subsidiaries in the United States and/or other countries. **onsemi** owns the rights to a number of patents, trademarks, copyrights, trade secrets, and other intellectual property. A listing of **onsemi**'s product/patent coverage may be accessed at [www.onsemi.com/site/pdf/Patent-Marking.pdf](http://www.onsemi.com/site/pdf/Patent-Marking.pdf). **onsemi** reserves the right to make changes at any time to any products or information herein, without notice. The information herein is provided "as-is" and **onsemi** makes no warranty, representation or guarantee regarding the accuracy of the information, product features, availability, functionality, or suitability of its products for any particular purpose, nor does **onsemi** assume any liability arising out of the application or use of any product or circuit, and specifically disclaims any and all liability, including without limitation special, consequential or incidental damages. Buyer is responsible for its products and applications using **onsemi** products, including compliance with all laws, regulations and safety requirements or standards, regardless of any support or applications information provided by **onsemi**. "Typical" parameters which may be provided in **onsemi** data sheets and/or specifications can and do vary in different applications and actual performance may vary over time. All operating parameters, including "Typicals" must be validated for each customer application by customer's technical experts. **onsemi** does not convey any license under any of its intellectual property rights nor the rights of others. **onsemi** products are not designed, intended, or authorized for use as a critical component in life support systems or any FDA Class 3 medical devices or medical devices with a same or similar classification in a foreign jurisdiction or any devices intended for implantation in the human body. Should Buyer purchase or use **onsemi** products for any such unintended or unauthorized application, Buyer shall indemnify and hold **onsemi** and its officers, employees, subsidiaries, affiliates, and distributors harmless against all claims, costs, damages, and expenses, and reasonable attorney fees arising out of, directly or indirectly, any claim of personal injury or death associated with such unintended or unauthorized use, even if such claim alleges that **onsemi** was negligent regarding the design or manufacture of the part. **onsemi** is an Equal Opportunity/Affirmative Action Employer. This literature is subject to all applicable copyright laws and is not for resale in any manner.

## PUBLICATION ORDERING INFORMATION

### LITERATURE FULFILLMENT:

Email Requests to: [orderlit@onsemi.com](mailto:orderlit@onsemi.com)

**onsemi Website:** [www.onsemi.com](http://www.onsemi.com)

### TECHNICAL SUPPORT

**North American Technical Support:**

Voice Mail: 1 800-282-9855 Toll Free USA/Canada

Phone: 011 421 33 790 2910

**Europe, Middle East and Africa Technical Support:**

Phone: 00421 33 790 2910

For additional information, please contact your local Sales Representative