

Date Created : 2007/11/30
Date Issued On : 2007/12/20
PCN# : Q4074814

FORECAST CHANGE NOTIFICATION

This is to inform you that a design and/or process change will be made to the following product(s). This notification is for your information and concurrence. This is a preliminary notification. A Final PCN will be issued when qualification is complete and data is available.

If you require data or samples to qualify this change, please contact **Fairchild Semiconductor within 30 days of receipt of this notification.**

If you have any questions concerning this change, please contact:

Technical Contact:

Name: LEE, SANGDO
E-mail: SANGDO.LEE@fairchildsemi.com
Phone: 86-512-6762-3311 ext 8671

PCN Originator:

Name: Sun, Brian
E-mail: Brian.Sun@fairchildsemi.com
Phone:

Implementation of change:

Expected 1st Device Shipment Date: 2008/03/20

Earliest Year/Work Week of Changed Product: 0812

Change Type Description: Lead Frame Composition

Description of Change (From): The material composition of lead frame is bare copper with full Ni-plating

Description of Change (To): The material composition of lead frame is bare copper without Ni-plating. lead frame Plating method change from Option 2(full nickle plating) to Option 1(bare copper). Refer to attached lead frame drawing. There is no change in package dimension, process and electrical specification.

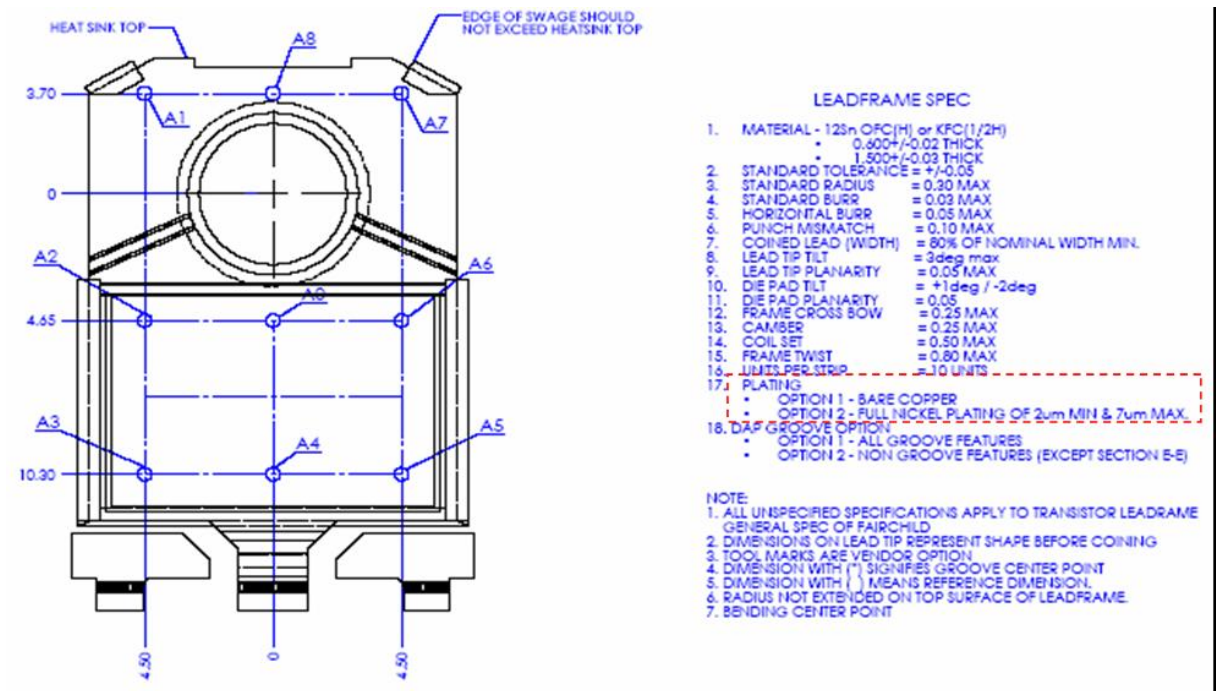
Reason for Change : Quality improvement to enhance the adhesion strength between EMC and lead frame

Qual/REL Plan Numbers : Q20070460

Qualification :

To qualify TO247 bare copper leadframe, improve quality to enhance the adhesion strength between EMC and lead frame, to prevent moisture enter into package

Change To



Qualification Stress Test and Sample Size Detail

Device #1	FGH50N6S2D
Package:	
#Leads:	

Environment Stress Detail:

Stress	P/C	Standard	Conditions	Readpoints		Samples
				TP1	TP2	
ACLV		JESD22-A102	100%RH, 121C	96		77
PRCL		MIL-STD-750-1036	Delta 100C, 5 Min on/off	1000	5000	77
TMCL1		JESD22-A104	-65C, 150C	200	500	77

Device #2	HGTG27N120BN
Package:	
#Leads:	

Environment Stress Detail:

Stress	P/C	Standard	Conditions	Readpoints		Samples
				TP1	TP2	
ACLV		JESD22-A102	100%RH, 121C	96		77
PRCL		MIL-STD-750-1036	Delta 100C, 5 Min on/off	1000	5000	77
TMCL1		JESD22-A104	-65C, 150C	200	500	77

Device #3	HUF75344G3
Package:	
#Leads:	

Environment Stress Detail:

Stress	P/C	Standard	Conditions	Readpoints		Samples
				TP1	TP2	
ACLV		JESD22-A102	100%RH, 121C	96		77
PRCL		MIL-	Delta 100C, 5	1000	5000	77

		STD-750-1036	Min on/off			
TMCL1		JESD22-A104	-65C, 150C	200	500	77

Device #4	HUF75652G3
Package:	-1
#Leads:	-1

Environment Stress Detail:

Stress	P/C	Standard	Conditions	Readpoints		Samples
				TP1	TP2	
ACLV		JESD22-A102	100%RH, 121C	96		77
PRCL		MIL-STD-750-1036	85%RH, 85C, 80% of related BV,Max=100V	1000	5000	77
TMCL1		JESD22-A104	-65C, 150C	200	500	77

Device #5	SL9K30120G3
Package:	
#Leads:	

Environment Stress Detail:

Stress	P/C	Standard	Conditions	Readpoints		Samples
				TP1	TP2	
ACLV		JESD22-A102	100%RH, 121C	96		77
PRCL		MIL-STD-750-1036	Delta 100C, 5 Min on/off	1000	5000	77
TMCL1		JESD22-A104	-65C, 150C	200	500	77

Device #6	RHRG3060CC
Package:	
#Leads:	

Environment Stress Detail:

Stress	P/C	Standard	Conditions	Readpoints		Samples
				TP1	TP2	
ACLV		JESD22-A102	100%RH, 121C	96		77
PRCL		MIL-STD-750-1036	Delta 100C, 5 Min on/off	1000	5000	77
TMCL1		JESD22-A104	-65C, 150C	200	500	77

Product Id Description :

Affected FSIDs :

FDH038AN08A1	FDH047AN08A0	FDH210N08
FDH27N50	FDH3632	FDH44N50
FFH15S60STU	FFH30S60STU	FFH30US30DN
FFH50US60S	FGH30N60LSDTU	FGH30N6S2D
FGH30N6S2D_W49009A	FGH40N120ANTU	FGH50N3
FGH50N6S2	FGH50N6S2D	HGTG10N120BND
HGTG11N120CN	HGTG11N120CND	HGTG12N60A4
HGTG12N60A4D	HGTG12N60B3	HGTG12N60C3D
HGTG18N120BN	HGTG18N120BND	HGTG20N60A4
HGTG20N60A4D	HGTG20N60B3	HGTG20N60B3D
HGTG20N60C3D	HGTG27N120BN	HGTG30N60A4
HGTG30N60A4D	HGTG30N60B3	HGTG30N60B3D

HGTG30N60C3D	HGTG40N60A4	HGTG40N60B3
HGTG40N60C3_R4752	HGTG5N120BND	HGTG7N60A4
HGTG7N60A4D	HUF75339G3	HUF75344G3
HUF75345G3	HUF75639G3	HUF75652G3
HUF75852G3	ISL9K1560G3	ISL9K18120G3
ISL9K30120G3	ISL9K3060G3	ISL9R1560G2
ISL9R18120G2	ISL9R2480G2_S2611	ISL9R30120G2
ISL9R3060G2	RFG70N06	RHRG1560CC
RHRG30120	RHRG3060	RHRG3060CC
RHRG5060	RHRG75120	RURG1520CC
RURG3020CC	RURG3060	RURG3060CC
RURG5060	RURG5060_R4857	RURG80100
RURG8060		