

DESIGNED & DIMENSIONED
IN MILLIMETERS

DO NOT
SCALE FROM
THIS PRINT

MPT-XX-6.30-XX-X-V-XX

No. OF POSITIONS
-02, -03, -04, -05, -06, -08

HEIGHT
-6.30: 6.30 MM

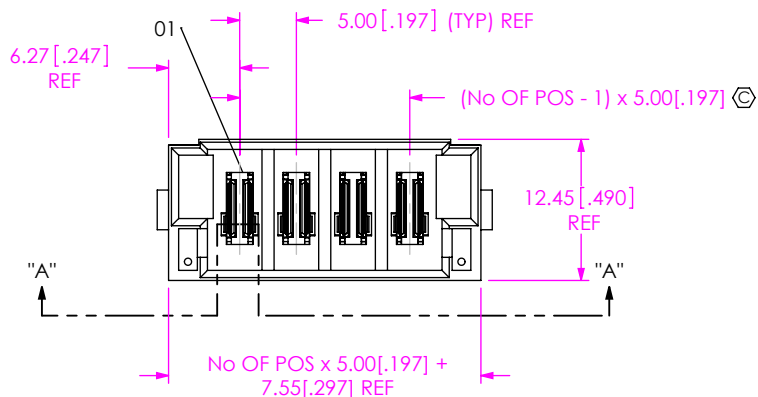
TAIL LENGTH

-01: FOR 1.57[.062] THICK PCB
(USE SUB-T-1M39-XX.XX-01-X)
-03: FOR 2.36[.093] THICK PCB
(USE SUB-T-1M39-XX.XX-03-X)

OPTION
-LC: LOCKING CLIP
(SEE FIG 2, SHT 2)

VERTICAL

PLATING SPECIFICATION
-L: SEE TABLE 2, SHT 2
-T: SEE TABLE 2, SHT 2



STYLE	"A"	SUB-T-1M39-XX.XX-XX-X
-01	2.72[.107]	SUB-T-1M39-06.30-01-X
-03	3.51[.138]	SUB-T-1M39-06.30-03-X

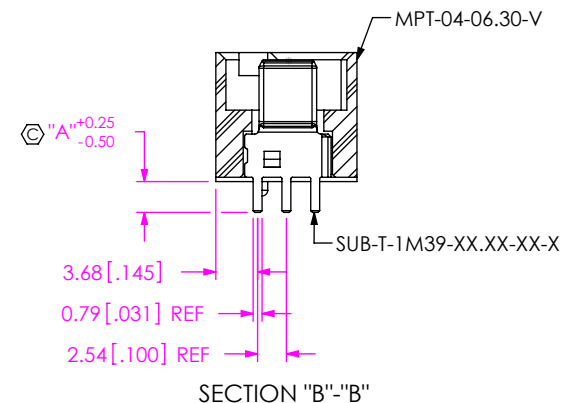
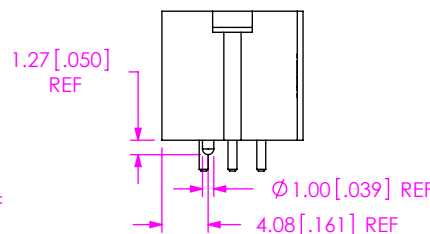
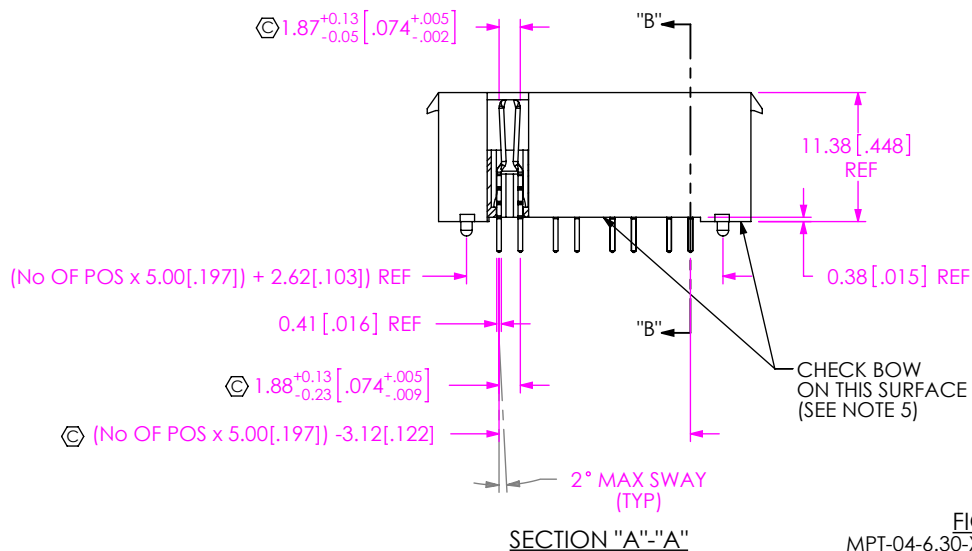
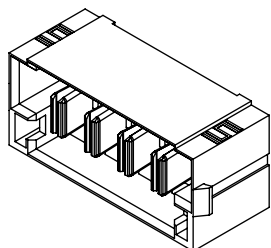


FIG 1
MPT-04-6.30-XX-X-V SHOWN

NOTES:

- ⊙ REPRESENTS A CRITICAL DIMENSION.
- BURR ALLOWANCE: 0.038[.0015] MAX.
- MINIMUM PUSHOUT FORCE: 4.45N[1.0 LB].
- PARTS TO BE PACKAGED IN TRAYS.
- ⊙ BOW ALLOWED AT .051MM [.002 IN/IN]
- MINIMUM -LC PULL OUT FORCE: 2.23N [0.5LB]



UNLESS OTHERWISE SPECIFIED,
DIMENSIONS ARE IN MILLIMETERS.
TOLERANCES ARE:
DECIMALS ANGLES
.X: ±0.3 [.01] 2°
.XX: ±0.13 [.005]
.XXX: ±0.051 [.0020]

PROPRIETARY NOTE
THIS DOCUMENT CONTAINS INFORMATION
CONFIDENTIAL AND PROPRIETARY TO
SAMTEC, INC. AND SHALL NOT BE REPRODUCED
OR TRANSFERRED TO OTHER DOCUMENTS OR
DISCLOSED TO OTHERS OR USED FOR ANY
PURPOSE OTHER THAN THAT WHICH IT WAS
OBTAINED WITHOUT THE EXPRESSED WRITTEN
CONSENT OF SAMTEC, INC.

MATERIAL: DO NOT SCALE DRAWING SHEET SCALE: 1:0.6
INSULATOR: LCP, UL 94V-O COLOR: BLACK
TERMINAL: COPPER ALLOY



520 PARK EAST BLVD. NEW ALBANY, IN 47150
PHONE: 812-944-6733 FAX: 812-948-5047
e-Mail: info@SAMTEC.com code: 55322

DESCRIPTION:
VERTICAL POWER TERMINAL

DWG. NO.
MPT-XX-6.30-XX-X-V-XX

BY: CLAY W 2/2/2007 SHEET 1 OF 2

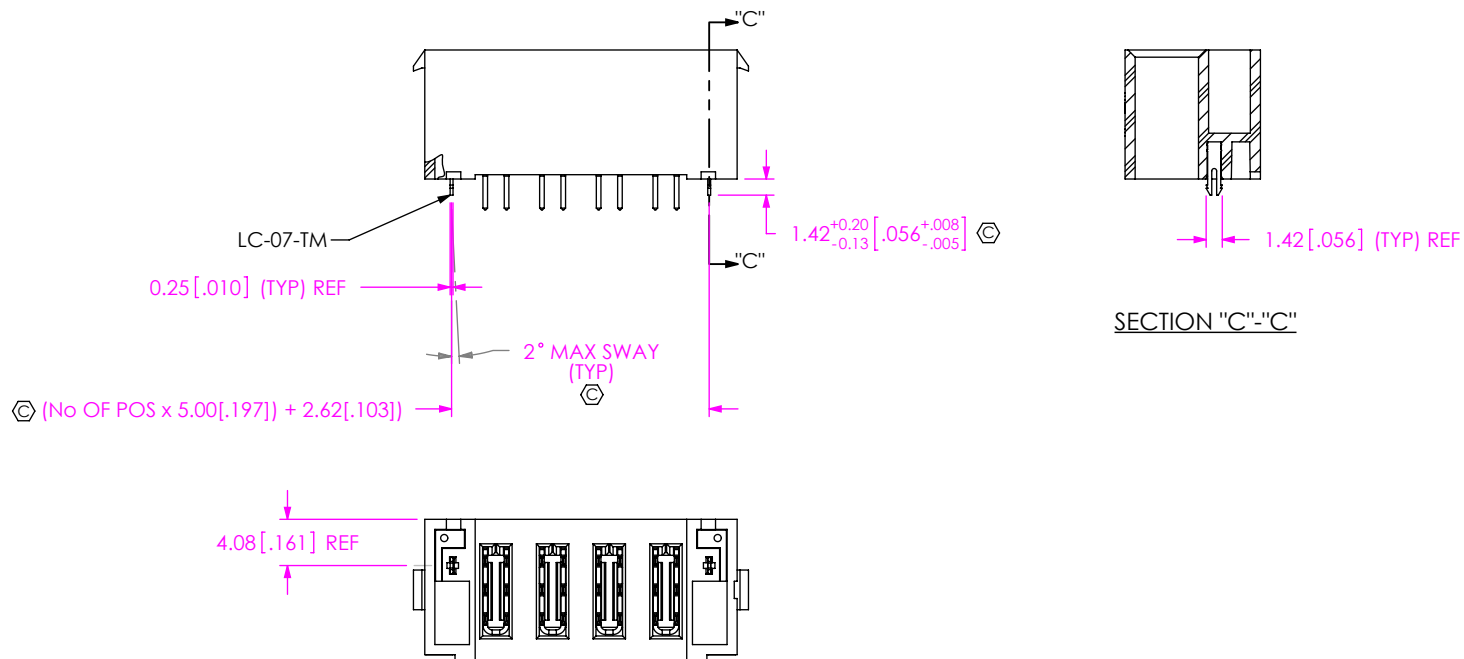



FIG 2
MPT-04-6.30-XX-X-V-LC SHOWN
(SAME AS FIG 1, UNLESS OTHERWISE STATED)

TABLE 2		
PLATING	POWER PIN CONTACT AREA	POWER PIN TAIL
-L	10μ GOLD	MATTE TIN
-T	MATTE TIN	MATTE TIN

<p>PROPRIETARY NOTE THIS DOCUMENT CONTAINS INFORMATION CONFIDENTIAL AND PROPRIETARY TO SAMTEC, INC. AND SHALL NOT BE REPRODUCED OR TRANSFERRED TO OTHER DOCUMENTS OR DISCLOSED TO OTHERS OR USED FOR ANY PURPOSE OTHER THAN THAT WHICH IT WAS OBTAINED WITHOUT THE EXPRESSED WRITTEN CONSENT OF SAMTEC, INC.</p> <p>DO NOT SCALE DRAWING</p>		
	<p>520 PARK EAST BLVD, NEW ALBANY, IN 47150 PHONE: 812-944-6733 FAX: 812-948-5047 e-Mail: info@SAMTEC.com code: 55322</p>	
	<p>DESCRIPTION: VERTICAL POWER TERMINAL</p>	
	<p>DWG. NO. MPT-XX-6.30-XX-X-V-XX</p>	
	BY: CLAY W 2/2/2007	SHEET 2 OF 2