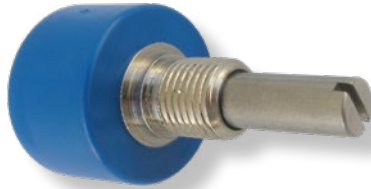




PRODUCT CHANGE NOTIFICATION

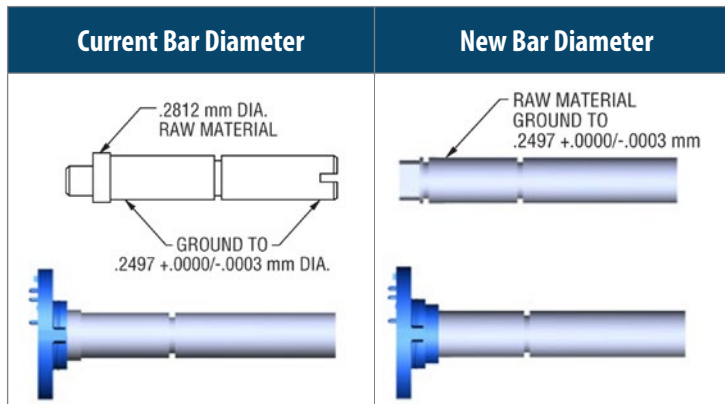
PRECISION POTENTIOMETERS



REVISED October 31, 2019

Bourns® Model 6639S Precision Potentiometer Process Change

Riverside, California – June 3, 2019 – As part of our continuous improvement efforts, effective November 1, 2019, Bourns will be changing the bar stock used to machine shafts on the [Model 6639S Precision Potentiometer](#) from 0.2812 mm to 0.2497 + .0000/-0.0003 mm. This will eliminate Bourns’ secondary machining operations required to offer the 0.2497 shaft diameter. As a result of this change the internal shoulder bearing is changing from metal to molded. This modification will help reduce rework in the diameter of the shaft, improve productivity and reduce scrap volume. Evaluation samples will be available November 1, 2019.



This change will have no affect on the form, fit, function, quality or reliability of the product.

Affected Part Numbers				
6639S-1-102	6639S-301-103	6639S-464-502	6639S-514-502	6639S-432-472
6639S-1-103	6639S-301-202	6639S-427-103	6639S-515-503	6639S-479-472
6639S-1-104	6639S-301-502	6639S-464-502	6639S-95-102	6639S-510-502
6639S-1-202	6639S-412-203	6639S-482-103	6639S-95-502	6639S-470-102
6639S-1-203	6639S-427-103	6639S-485-103	6639S-BRX-501	6639S-488-102
6639S-1-502	6639S-441-502	6639S-486-102	6639S-BRY-502	6639S-480-502
6639S-1-503	6639S-464-102	6639S-505-102	6639S-BUY-602	6639S-481-103
6639S-301-102	6639S-464-103	6639S-511-503	6639S-BZG-143	

Users should verify that the described changes will not impact the performance of the product in their specific applications.

SC1934 REV

Implementation dates are as follows:

Last time to buy existing products: ~~October 31, 2019~~ **December 31, 2019**

Date manufacturing of existing products will cease: ~~November 1, 2019~~ **December 31, 2019**

Date of deliveries of modified products: ~~November 1, 2019~~ **January 13, 2020**

First date code using the above changes: ~~1944~~ **2002**

If you have any questions or need additional information, please feel free to contact [Customer Service/Inside Sales](#).